

ASSEMBLY / PARTS LIST (B.O.M.)

Series: 250-T

Type: Casement with Butt Hinges, Roto Operator, and Multi-Point Lock

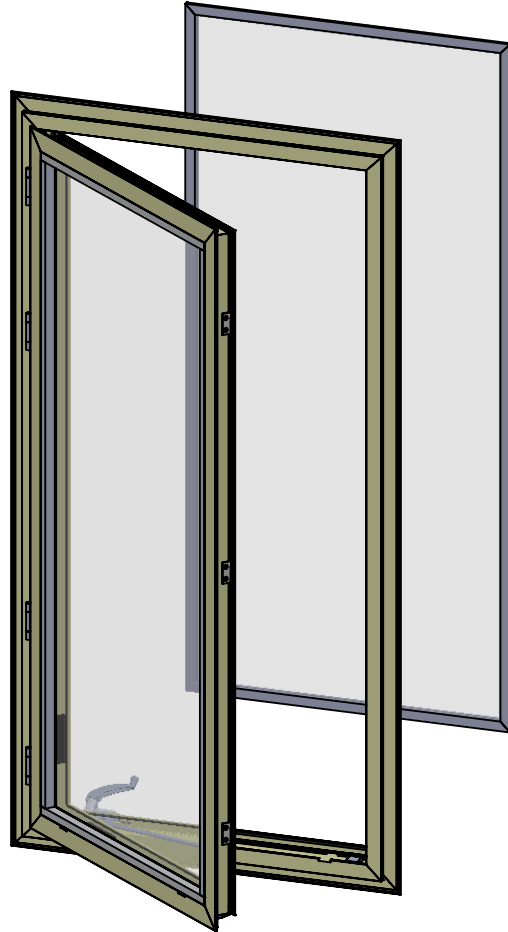
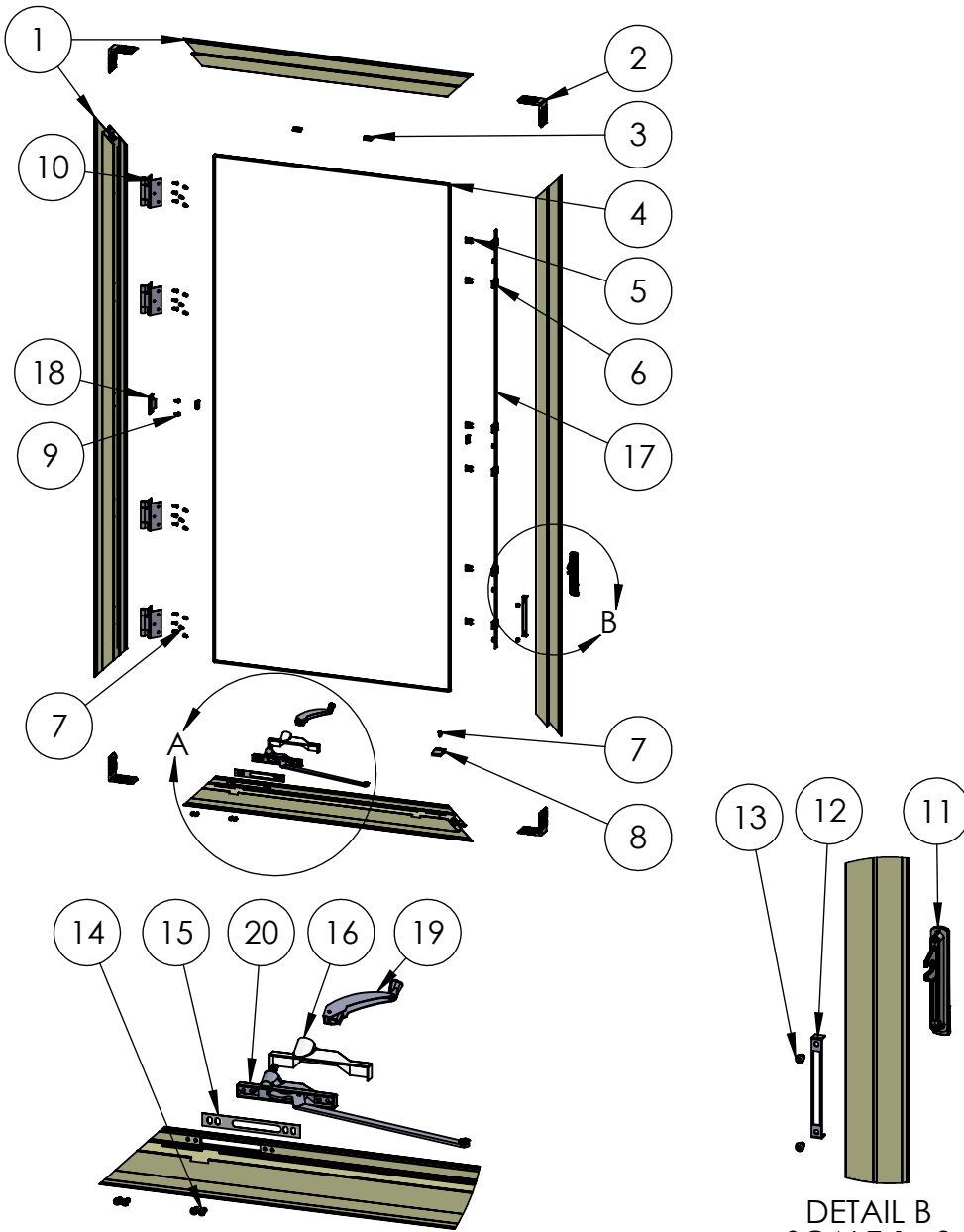


TABLE OF CONTENTS			
ITEM NO.	DESCRIPTION	QTY.	PAGE #
1	FRAME ASSEMBLY	1	2
2	PANEL ASSEMBLY	1	3
3	FLAT SCREEN ASSEMBLY	1	4
4	TABLES	1	5

Description Table of Contents	
File Name Series 250-T C Casement Assembly with Butt Hinges, Roto Operator, and Multi-Point Lock	REV
Released 7/19/2018	SHEET 1 OF 5

ASSEMBLY / PARTS LIST (B.O.M.)



DETAIL A
SCALE 1 : 10

DETAIL B
SCALE 1 : 8

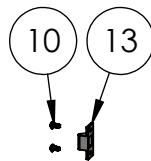
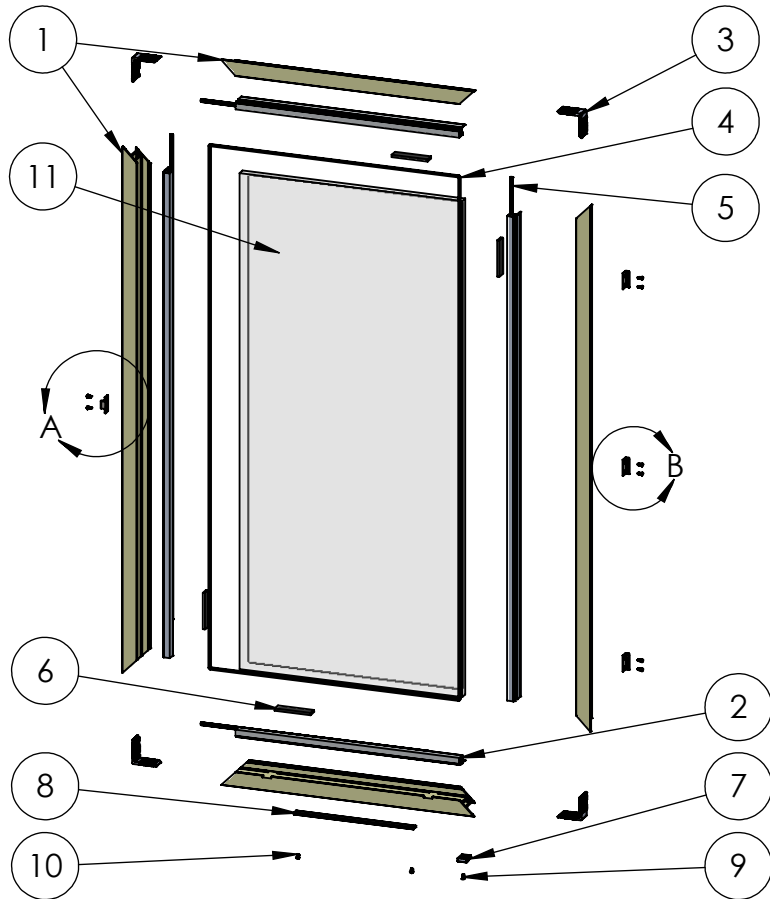
PROPRIETARY AND CONFIDENTIAL

THE INFORMATION CONTAINED IN THIS DRAWING IS THE SOLE PROPERTY OF FLEETWOOD WINDOWS & DOORS.
ANY REPRODUCTION IN PART OR AS A WHOLE WITHOUT THE WRITTEN PERMISSION OF FLEETWOOD WINDOWS & DOORS IS PROHIBITED.

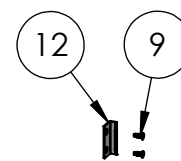
EXTRUSIONS			
ITEM NO.	PART NUMBER	DESCRIPTION	QTY.
1	05P88, 05P19	Perimeter - OG (Nail-on, Block)	4
HARDWARE			
ITEM NO.	PART NUMBER	DESCRIPTION	QTY.
2	20596	Corner Key, Vent	4
3	25173, 25753	Screen Clip, SS, Clear, Black	4
4	25199	Mini Bulb Vinyl	1
5	20244	#8 FHP - A, 3/4", SS, Clear	12
6	24731	24731, Tie Bar Guide	6
7	20272	#10 FHP - A - UC, 1/2" SS, Clear	25
8	18770	Large Pivot Shim	1
9	20337	#10 PHP - B, 3/8", SS, Clear	2
10	18820, 18818, 25179, 25178	Butt Hinge Assembly, Alum, Alum Blk, SS, SS Blk	4
11	26139, 26140	Multi-Point Lock Handle (Black, Brushed Copper Nickel)	1
12	26141	Multi-Point Support Plate	1
13	26142	#10-24 Torx Screw, 0.375", SS, Clear, Driver Size T25	2
14	25574	#10-32 Torx-Drive Button-Head Socket Cap Machine Screw, 0.5", SS, Clear, Driver Size T25	4
15	18742	Gasket (PSRO)	1
16	25634, 25635	Casement Oper. Cover - (LH, RH)	1
17	See Table A	Tie Bar MP	1
18	See Table A	Snubber, Frame Portion (HVHZ only)	1
19	See Table B	Handle Options	1
20	See Table D	CSMT Roto S.S. Arm (13.5)	1

Description		Frame Assembly	
File Name		REV	
Series 250-T C Casement Assembly with Butt Hinges, Roto Operator, and Multi-Point Lock			
Released	7/19/2018	SHEET 2 OF 5	

ASSEMBLY / PARTS LIST (B.O.M.)



DETAIL A
SCALE 1 : 10



DETAIL B
SCALE 1 : 10

EXTRUSIONS

ITEM NO.	PART NUMBER	DESCRIPTION	QTY.
1	05P11	Zee Bar	4
2	05P09, 05P12, 05P10, 05P06, 05P05	Glass Stop (1"), (1-1/4"), (1-1/2"), (5/8" and 1/2"), (1/4" or 1")	4

HARDWARE

3	20596	Corner Key, Vent	4
4	25199	Mini Bulb Vinyl	2
5	25031	Bulb Vinyl-Large	4
6	18620	Setting Block 4" x 1/4"x1"	4
7	18770	Large Pivot Shim	1
8	25567, 25468	Track, PSRO (9.125", 13.75")	1
9	20272	#10 FHP - A - UC, 1/2" SS, Clear	7
10	20337	#10 PHP - B, 3/8", SS, Clear	4
11	-	Glass	1
12	See Table A	Strike (multi point)	3
13	See Table A	Snubber (HVHZ only)	1

Description

Panel Assembly

File Name

Series 250-T C Casement
Assembly with Butt Hinges, Roto
Operator, and Multi-Point Lock

REV

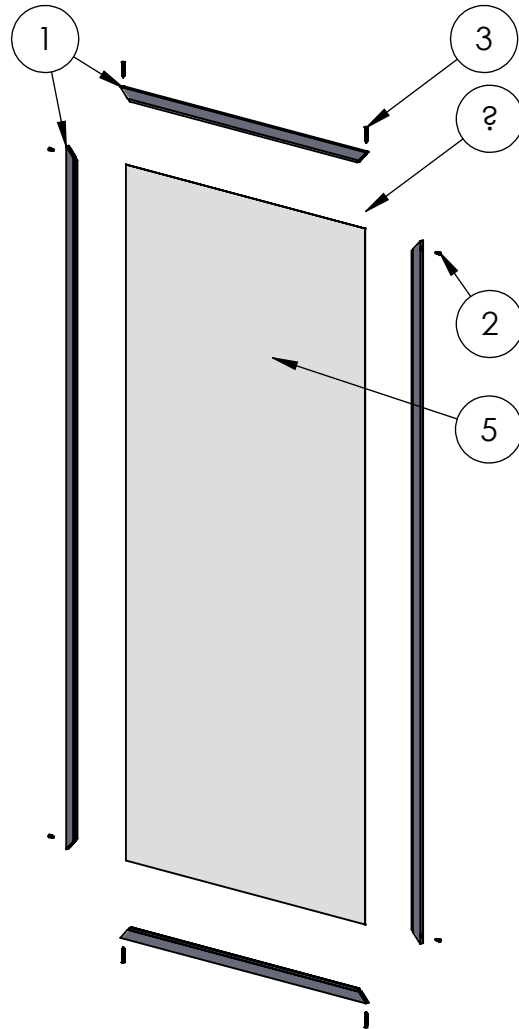
Released 7/19/2018

SHEET 3 OF 5

PROPRIETARY AND CONFIDENTIAL

THE INFORMATION CONTAINED IN THIS DRAWING IS THE SOLE PROPERTY OF FLEETWOOD WINDOWS & DOORS.
ANY REPRODUCTION IN PART OR AS A WHOLE WITHOUT THE WRITTEN PERMISSION OF FLEETWOOD WINDOWS & DOORS IS PROHIBITED.

ASSEMBLY / PARTS LIST (B.O.M.)



ITEM NO.	PART NUMBER	DESCRIPTION	QTY.
1	114	.3125 Screen Frame	4
2	25752	Flat Head Phillips Screw for Sheet Metal, 316 Stainless Steel, Number 6 Size, 1/2" Length	4
3	25751	Flat Head Phillips Screw for Sheet Metal, 316 Stainless Steel, Number 6 Size, 1-1/4" Length	4
4	19127	SCREEN RUBBER SPLINE .150	1
5	-		1

Description Flat Screen Assembly	
File Name Series 250-T C Casement Assembly with Butt Hinges, Roto Operator, and Multi-Point Lock	REV
Released 7/19/2018	SHEET 4 OF 5

PROPRIETARY AND CONFIDENTIAL
 THE INFORMATION CONTAINED IN THIS DRAWING IS THE SOLE PROPERTY OF FLEETWOOD WINDOWS & DOORS.
 ANY REPRODUCTION IN PART OR AS A WHOLE WITHOUT THE WRITTEN PERMISSION OF FLEETWOOD WINDOWS & DOORS IS PROHIBITED.

ASSEMBLY / PARTS LIST (B.O.M.)

Table A: Multi-Point Option for Casement > 26"

Frame Height	Tie Bar ID #	24732 Strike	20272 Strike Screw	24731 Tie Bar Guide	20244 Guide Screw
26"<30"	19005	2	4	4	8
30"<34"	19006	2	4	4	8
34"<38"	19007	2	4	4	8
38"<42"	18960	2	4	4	8
42"<46"	18959	2	4	4	8
46"<50"	18961	2	4	4	8
50"<54"	18969	3	6	6	12
54"<58"	18946	3	6	6	12
58"<62"	18956	3	6	6	12
62"<66"	18955	3	6	6	12
66"<70"	18954	3	6	6	12
70"<74"	23296	3	6	6	12
74"<78"	24671	4	8	8	16
78"<82"	24670	4	8	8	16
82"-101"	23385	4	8	8	16

Table B: Handle Option

Type	Color	ID #
Folding (PS Roto)	Black	18789
Folding (PS Roto)	BCN	18792
Knob (PS Roto)	Black	18748
Knob (PS Roto)	BCN	18751

Table C: Snubber Option (HVHZ only)

Frame Height	25245 Snubber	20337 Screw
>24"	1	4
>36"	2	8
>48"	3	12
>60"	1	4
>72"	2	8
>84"	3	12
>96"	4	16

Table D: Operator Option

Operator Size	Arm Material	Color	ID #
27.75"	Steel	Black	18876
27.75"	S.S.	Black	23307
27.75"	Steel	BCN	18879
27.75"	S.S.	BCN	23308
16.75"	Steel	Black	18868
16.75"	S.S.	Black	23304
16.75"	Steel	BCN	18871
16.75"	S.S.	BCN	23305

Description

Tables

File Name

Series 250-T C Casement
Assembly with Butt Hinges, Roto
Operator, and Multi-Point Lock

REV

Released

7/19/2018

SHEET 5 OF 5

PROPRIETARY AND CONFIDENTIAL

THE INFORMATION CONTAINED IN THIS DRAWING IS THE SOLE PROPERTY OF FLEETWOOD WINDOWS & DOORS.
ANY REPRODUCTION IN PART OR AS A WHOLE WITHOUT THE WRITTEN PERMISSION OF FLEETWOOD WINDOWS & DOORS IS PROHIBITED.