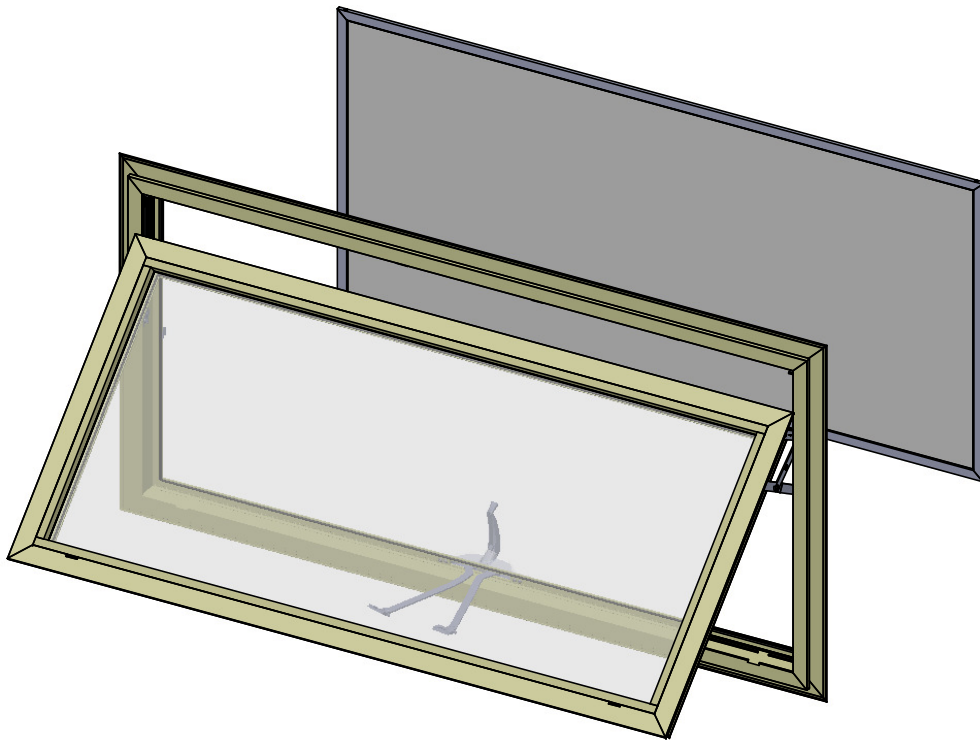


# ASSEMBLY / PARTS LIST (B.O.M.)

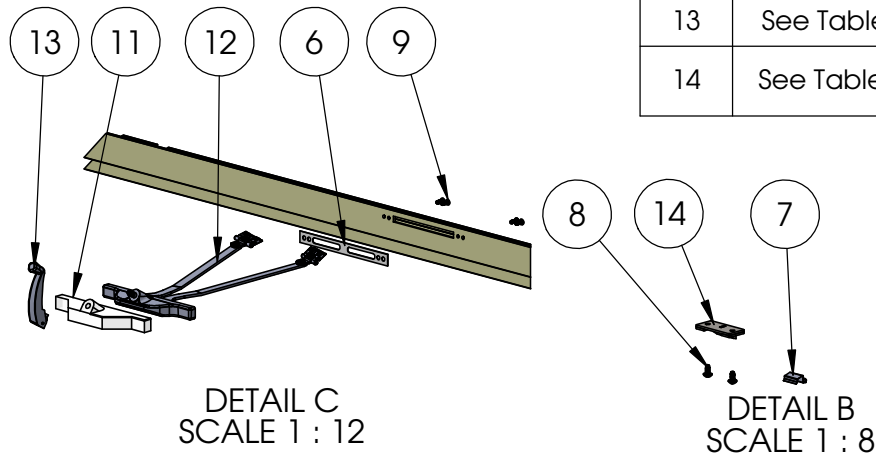
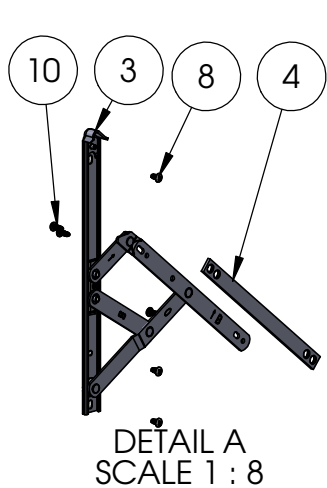
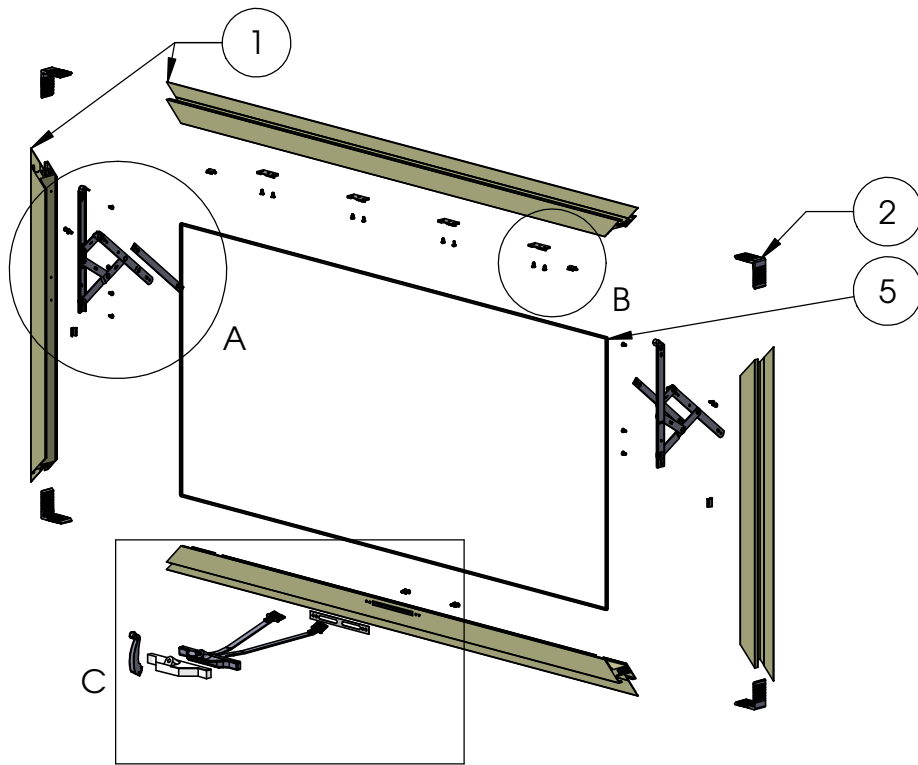
**Series: 250-T**  
**Type: Awning (A) with 4 Bar Hinges & Roto Operator**

ITEM NO.	DESCRIPTION	QTY.	PAGE #
1	FRAME ASSEMBLY	1	2
2	PANEL ASSEMBLY	1	3
3	FLAT SCREEN ASSEMBLY	1	4
4	TABLES	1	5



Description Table of Contents	
File Name Series 250-T A Awning Assembly with 4 Bar Hinges and Roto Assembly	REV
Released 10/26/2016	SHEET 1 OF 5

# ASSEMBLY / PARTS LIST (B.O.M.)



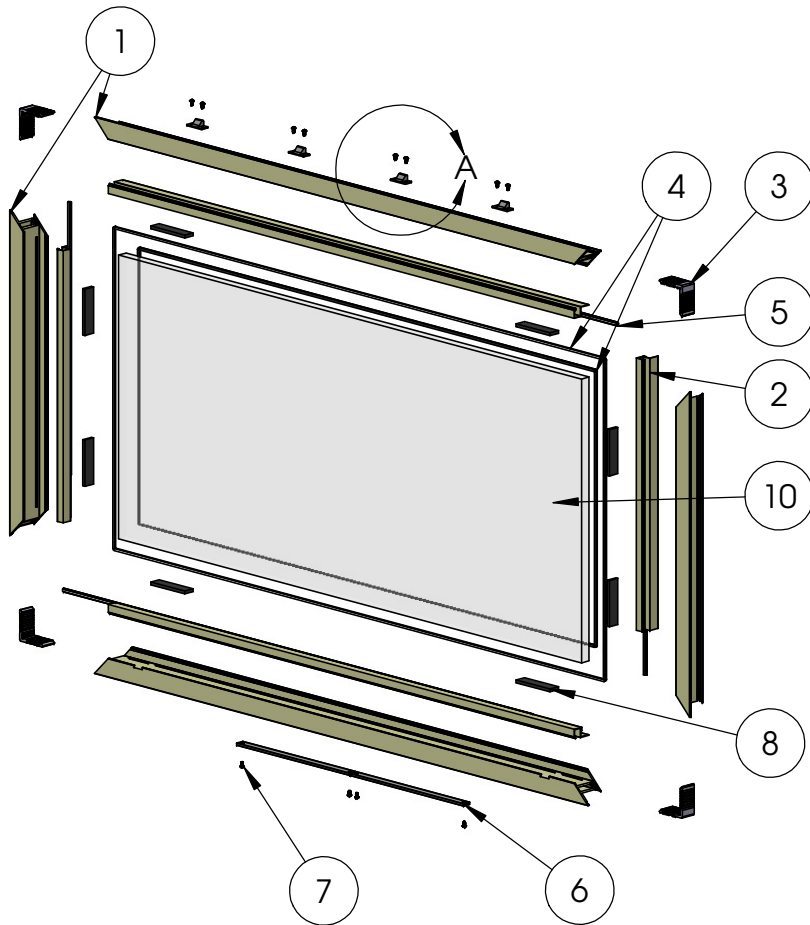
DETAIL C  
SCALE 1 : 12

EXTRUSIONS			
ITEM NO.	PART NUMBER	DESCRIPTION	QTY.
1	05P88, 05P19	Perimeter - OG (Nail-on, Block)	4
HARDWARE			
2	20596	Corner Key, Vent	4
3	24932, 22865, 24654, 24655, 18811, 22868	4 Bar Hinge (8", 10", 12", 16", 16" Egress, 22")	2
4	23368, 23369, 23370, 23371	4 Bar Shim 7 3/4", 8 3/4", 10 3/4", 13 1/2" length	2
5	25199	Mini Bulb Vinyl	1
6	18743	Gasket (PSRO)	1
7	25173, 25753	Screen Clip SS, Clear, Black	4
8	20337	# 10 PHP - B, 3/8", SS, Clear	14
9	25574	# 10-32 Torx-Drive Button-Head, 1/2", SS, Clear	4
10	20338	# 10 PHP - B, 1/2", SS, Clear	8
11	25636	Awning Oper. Cover	1
12	See Table A	PSRO (2 ARM Operator) Options	1
13	See Table B	Handle Options	1
14	See Table C	Snubber, Frame Portion (HVHZ only)	4

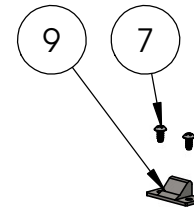
**PROPRIETARY AND CONFIDENTIAL**  
THE INFORMATION CONTAINED IN THIS DRAWING IS THE SOLE PROPERTY OF FLEETWOOD WINDOWS & DOORS.  
ANY REPRODUCTION IN PART OR AS A WHOLE WITHOUT THE WRITTEN PERMISSION OF FLEETWOOD WINDOWS & DOORS IS PROHIBITED.

Description Frame Assembly	
File Name Series 250-T A Awning Assembly with 4 Bar Hinges and Roto Assembly	REV
Released 10/26/2016	SHEET 2 OF 5

# ASSEMBLY / PARTS LIST (B.O.M.)



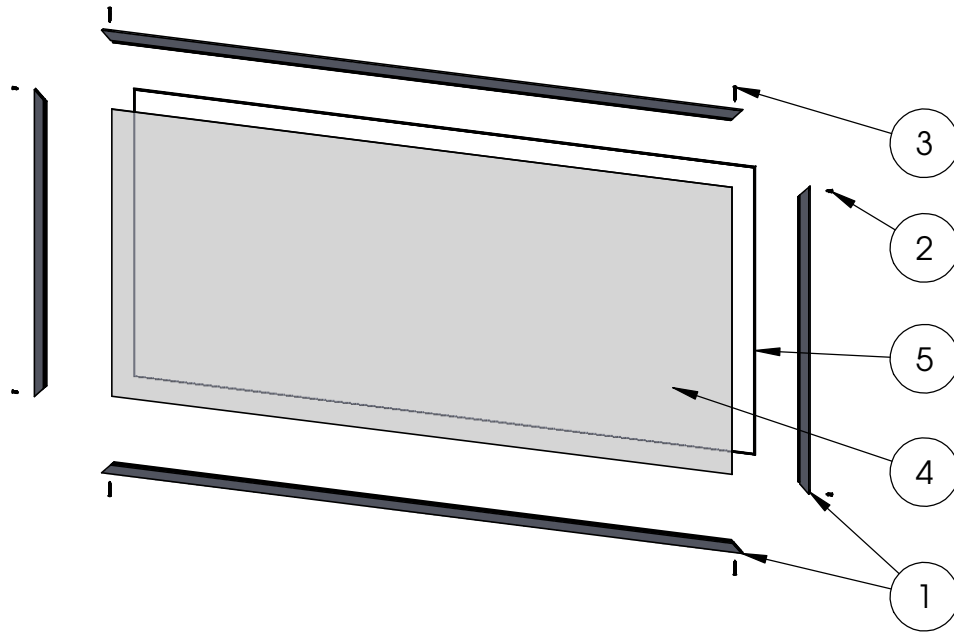
EXTRUSIONS			
ITEM NO.	PART NUMBER	DESCRIPTION	QTY.
1	05P11	Zee Bar	4
2	05P09, 05P12, 05P10, 05P06, 05P05	Glass Stop (1"), (1-1/4"), (1-1/2"), (5/8", 9/16" and 1/2"), (1/4")	4
HARDWARE			
3	20596	Corner Key, Vent	4
4	25199	Mini Bulb Vinyl	2
5	25031	Bulb Vinyl-Large	4
6	20767, 25568	Track, PSRO (9.125", 13.75")	2
7	20337	# 10 PHP - B, 3/8", SS, Clear	12
8	18620	Setting Block 4" x 1/4"x1"	8
9	See Table C	Snubber (HVHZ only)	4
10	-	Glass	1



DETAIL A  
SCALE 1 : 6

Description Panel Assembly	
File Name Series 250-T A Awning Assembly with 4 Bar Hinges and Roto Assembly	REV
Released 10/26/2016	SHEET 3 OF 5

# ASSEMBLY / PARTS LIST (B.O.M.)



EXTRUSIONS			
ITEM NO.	PART NUMBER	DESCRIPTION	QTY.
1	114	.3125 Screen Frame	4
HARDWARE			
2	25752	#6 FHP-A, 1/2", SS, Clear	4
3	25751	#6 FHP-A, 1-1/4", SS, Clear	4
4	-	Screen Mesh	1
5	19127	SCREEN RUBBER SPLINE .150	1

Description Flat Screen Assembly	
File Name Series 250-T A Awning Assembly with 4 Bar Hinges and Roto Assembly	REV
Released 10/26/2016	SHEET 4 OF 5

**PROPRIETARY AND CONFIDENTIAL**  
 THE INFORMATION CONTAINED IN THIS DRAWING IS THE SOLE PROPERTY OF FLEETWOOD WINDOWS & DOORS.  
 ANY REPRODUCTION IN PART OR AS A WHOLE WITHOUT THE WRITTEN PERMISSION OF FLEETWOOD WINDOWS & DOORS IS PROHIBITED.

# ASSEMBLY / PARTS LIST (B.O.M.)

Table A: Operator Option

Operator Size	Arm Material	Color	ID #
27.75"	Steel	Black	18876
27.75"	S.S.	Black	23307
27.75"	Steel	BCN	18879
27.75"	S.S.	BCN	23308
16.75"	Steel	Black	18868
16.75"	S.S.	Black	23304
16.75"	Steel	BCN	18871
16.75"	S.S.	BCN	23305

Table C: Snubber Option (HVHZ only)

Frame Width	25245 Snubber	20337 Screw
>24"	1	4
>36"	2	8
>48"	3	12
>60"	4	16
>72"	5	20
>84"	6	24
>96"	7	28

Table B: Handle Option

Type	Color	ID #
Folding (PS Roto)	Black	18789
Folding (PS Roto)	BCN	18792
Knob (PS Roto)	Black	18748
Knob (PS Roto)	BCN	18751

**PROPRIETARY AND CONFIDENTIAL**

THE INFORMATION CONTAINED IN THIS DRAWING IS THE SOLE PROPERTY OF FLEETWOOD WINDOWS & DOORS.  
ANY REPRODUCTION IN PART OR AS A WHOLE WITHOUT THE WRITTEN PERMISSION OF FLEETWOOD WINDOWS & DOORS IS PROHIBITED.

Description	
Tables	
File Name	REV
Series 250-T A Awning Assembly with 4 Bar Hinges and Roto Assembly	
Released	10/26/2016 SHEET 5 OF 5