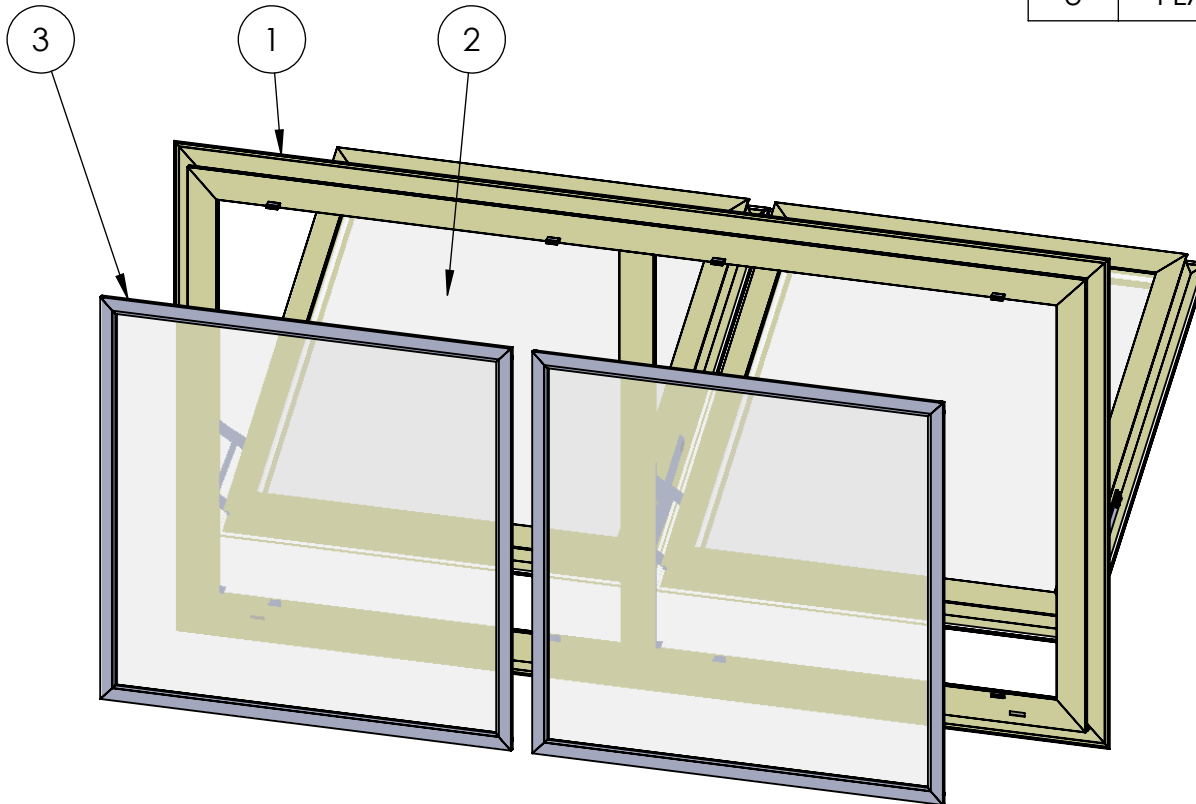


ASSEMBLY / PARTS LIST (B.O.M.)

Series: 250-T
Type: Hopper (HH) with 4 Bar Hinges and Spring Latches

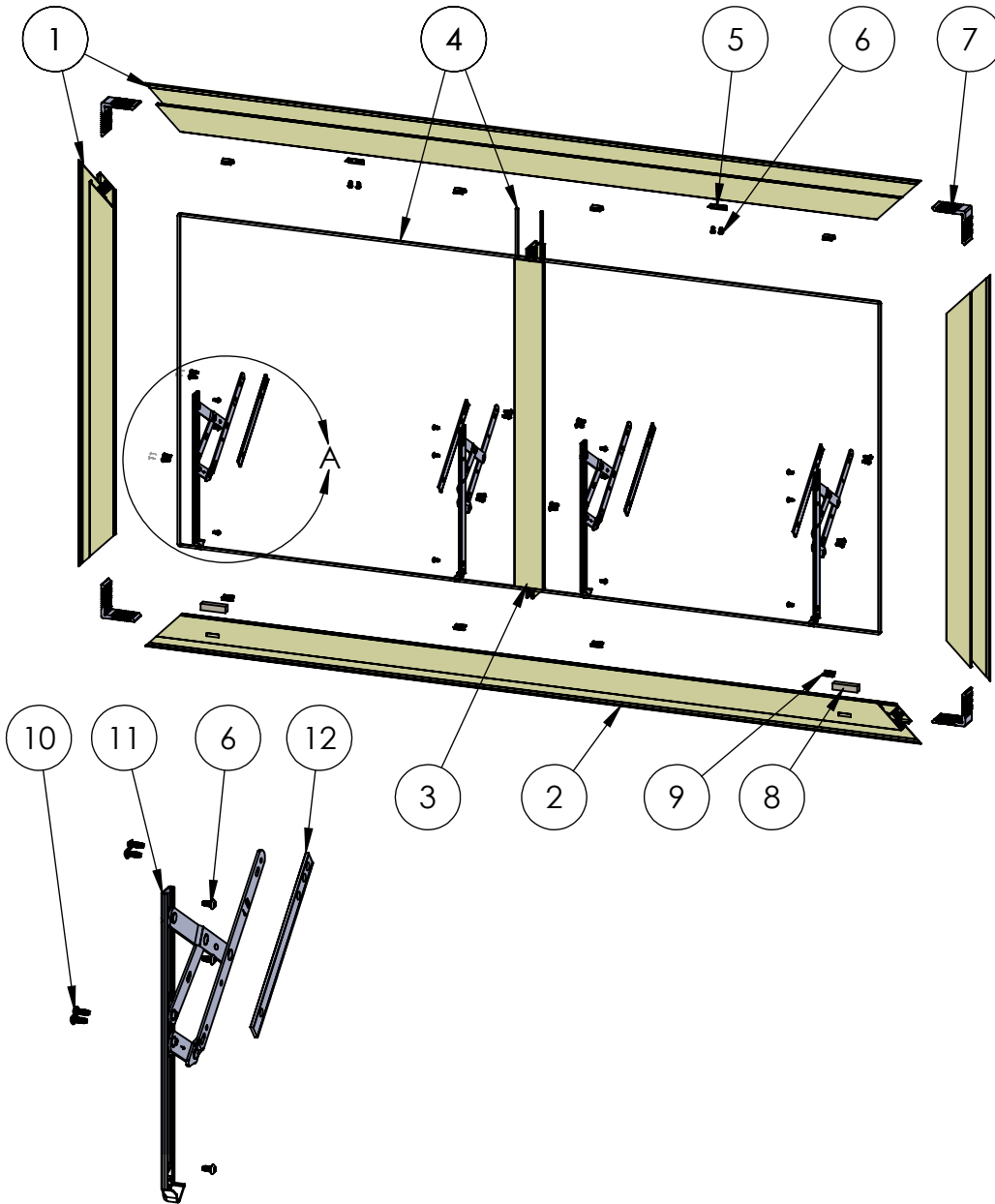
| ITEM NO. | DESCRIPTION | QTY. | PAGE # |
|----------|----------------------|------|--------|
| 1 | FRAME ASSEMBLY | 1 | 2 |
| 2 | PANEL ASSEMBLY | 2 | 3 |
| 3 | FLAT SCREEN ASSEMBLY | 2 | 4 |



| | |
|---|-----------------|
| Description Table of Contents | |
| File Name Series 250-T HH Hopper Assembly with 4 Bar Hinges and Spring Latches | REV A |
| Released 8/25/2020 | SHEET 1 OF 4 |

PROPRIETARY AND CONFIDENTIAL
 THE INFORMATION CONTAINED IN THIS DRAWING IS THE SOLE PROPERTY OF FLEETWOOD WINDOWS & DOORS.
 ANY REPRODUCTION IN PART OR AS A WHOLE WITHOUT THE WRITTEN PERMISSION OF FLEETWOOD WINDOWS & DOORS IS PROHIBITED.

ASSEMBLY / PARTS LIST (B.O.M.)



DETAIL A
SCALE 1 : 7

PROPRIETARY AND CONFIDENTIAL

THE INFORMATION CONTAINED IN THIS DRAWING IS THE SOLE PROPERTY OF FLEETWOOD WINDOWS & DOORS.
ANY REPRODUCTION IN PART OR AS A WHOLE WITHOUT THE WRITTEN PERMISSION OF FLEETWOOD WINDOWS & DOORS IS PROHIBITED.

| EXTRUSIONS | | | |
|------------|--|---|------|
| ITEM NO. | PART NUMBER | DESCRIPTION | QTY. |
| 1 | 05P86 | Perimeter (Head / Jamb) - IG | 3 |
| 2 | 05P72 | Sill (PI) | 1 |
| 3 | 05P01 | Tee Bar (Muntin) | 1 |
| HARDWARE | | | |
| ITEM NO. | PART NUMBER | DESCRIPTION | QTY. |
| 4 | 25199 | Mini Bulb Vinyl | 3 |
| 5 | 25482 | Strike for Spring Ring Latch | 2 |
| 6 | 20337 | #10 PHP-B, 3/8", Clear | 16 |
| 7 | 20596 | Corner Key, Vent | 4 |
| 8 | 23022 | 1/2 X 1/2 X 2 Weep Baffle | 2 |
| 9 | 25173, 25753 | Screen Clip, SS, Clear, Black | 8 |
| 10 | 20338 | #10 PHP-B, 1/2", Clear | 16 |
| 11 | 24932, 22865, 24654, 24655, 18811, 22868 | 4 Bar Hinge (8", 10", 12", 16", 22") | 2 |
| 12 | 26229, 26230, 26231, 26232 | 4 Bar Shim (10", 12", 16", 22") | 4 |

Description
Frame Assembly

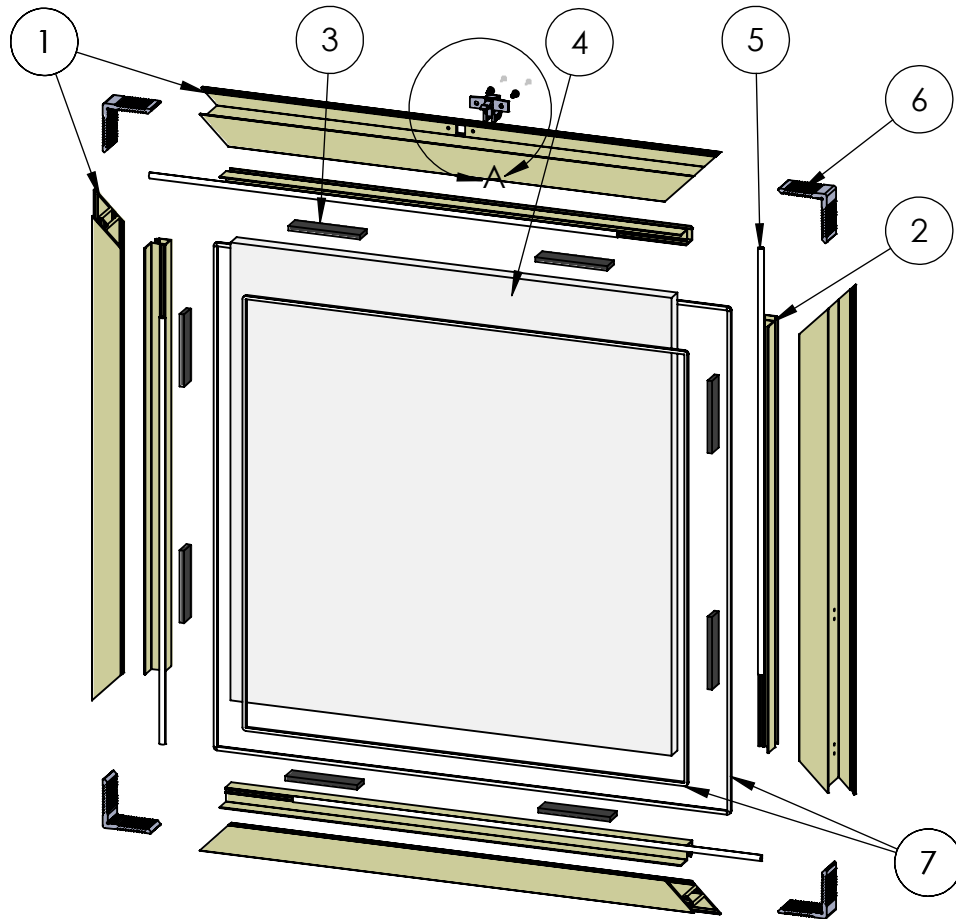
File Name
Series 250-T HH Hopper
Assembly with 4 Bar Hinges
and Spring Latches

REV
A

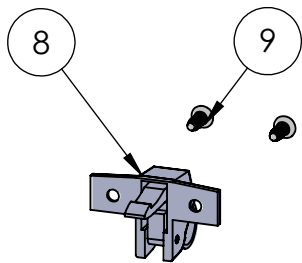
Released 8/25/2020

SHEET 2 OF 4

ASSEMBLY / PARTS LIST (B.O.M.)



| EXTRUSIONS | | | |
|------------|-----------------------------------|---|------|
| ITEM NO. | PART NUMBER | DESCRIPTION | QTY. |
| 1 | 05P11 | Zee Bar | 4 |
| 2 | 05P09, 05P12, 05P10, 05P06, 05P05 | Glass Stop (1"), (1-1/4"), (1-1/2"), (5/8", 9/16" and 1/2"), (1/4") | 4 |
| HARDWARE | | | |
| ITEM NO. | PART NUMBER | DESCRIPTION | QTY. |
| 3 | 18620 | Setting Block 4" x 1/4"x1" | 8 |
| 4 | - | Glass | 1 |
| 5 | 25031 | Bulb Vinyl-Large | 4 |
| 6 | 20596 | Corner Key, Vent | 4 |
| 7 | 25199 | Mini Bulb Vinyl | 2 |
| 8 | 18788 | Spring Latch (Pull Ring) | 1 |
| 9 | 20272 | #10 FHP-A-UC, 0.5 in, Clear | 2 |



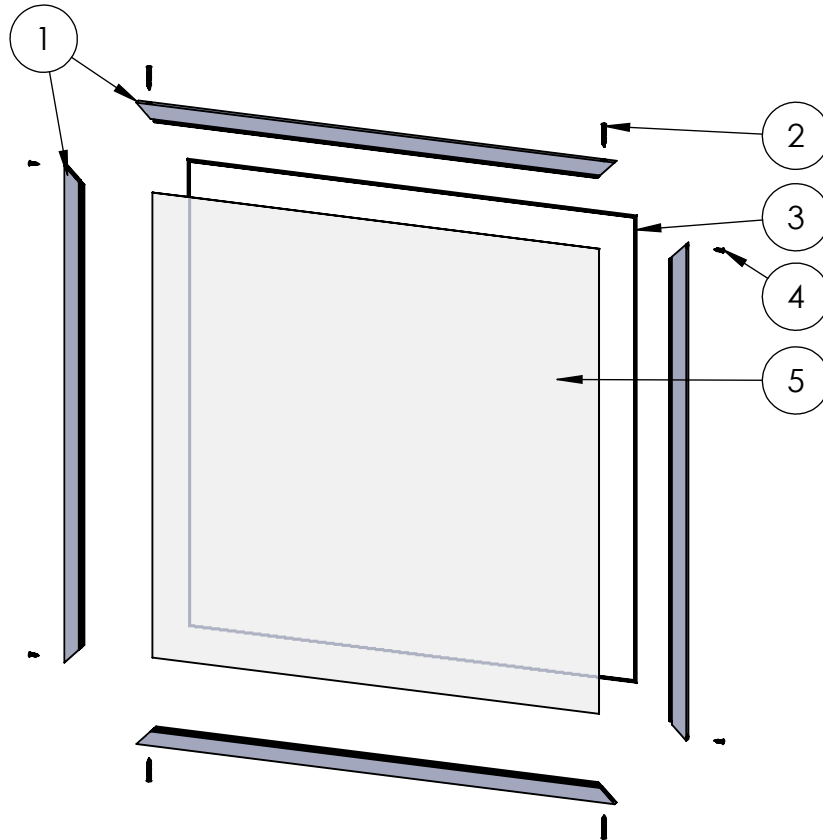
DETAIL A
 SCALE 1 : 3

PROPRIETARY AND CONFIDENTIAL

THE INFORMATION CONTAINED IN THIS DRAWING IS THE SOLE PROPERTY OF FLEETWOOD WINDOWS & DOORS. ANY REPRODUCTION IN PART OR AS A WHOLE WITHOUT THE WRITTEN PERMISSION OF FLEETWOOD WINDOWS & DOORS IS PROHIBITED.

| | |
|---|-----------------|
| Description Panel Assembly | |
| File Name Series 250-T HH Hopper Assembly with 4 Bar Hinges and Spring Latches | REV A |
| Released 8/25/2020 | SHEET 3 OF 4 |

ASSEMBLY / PARTS LIST (B.O.M.)



| EXTRUSIONS | | | |
|------------|-------------|-----------------------------|------|
| ITEM NO. | PART NUMBER | DESCRIPTION | QTY. |
| 1 | 114 | .3125 Screen Frame-HH | 4 |
| HARDWARE | | | |
| ITEM NO. | PART NUMBER | DESCRIPTION | QTY. |
| 2 | 25751 | #6 FHP-A, 1-1/4", SS, Clear | 4 |
| 3 | 19127 | SCREEN RUBBER SPLINE .150 | 1 |
| 4 | 25752 | #6 FHP-A, 1/2", SS, Clear | 4 |
| 5 | - | Screen Mesh | 1 |

| | |
|---|-----------------|
| Description Flat Screen Assembly | |
| File Name Series 250-T HH Hopper Assembly with 4 Bar Hinges and Spring Latches | REV A |
| Released 8/25/2020 | SHEET 4 OF 4 |

PROPRIETARY AND CONFIDENTIAL
 THE INFORMATION CONTAINED IN THIS DRAWING IS THE SOLE PROPERTY OF FLEETWOOD WINDOWS & DOORS.
 ANY REPRODUCTION IN PART OR AS A WHOLE WITHOUT THE WRITTEN PERMISSION OF FLEETWOOD WINDOWS & DOORS IS PROHIBITED.