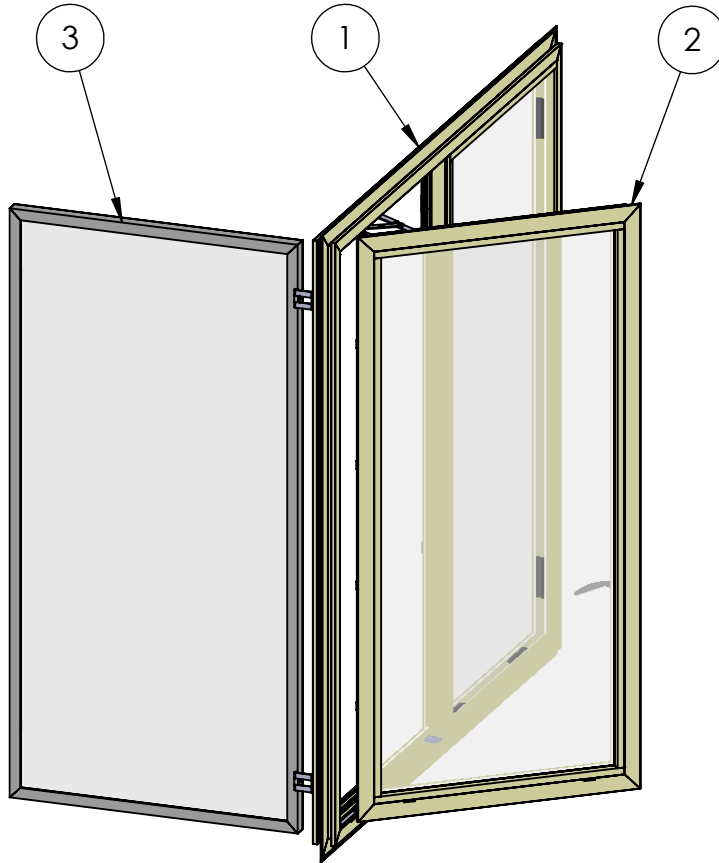


ASSEMBLY / PARTS LIST (B.O.M.)

Series: 250-T

Type: Casement (CO) with 4 Bar Hinges & Cam Handle

ITEM NO.	DESCRIPTION	QTY.
1	FRAME ASSEMBLY	1
2	PANEL ASSEMBLY	1
3	HINGE SCREEN ASSEMBLY	1



Description Table of Contents	
File Name Series 250-T CO Casement with 4 Bar Hinges and Cam Handle	REV A
Released 8/25/2020	SHEET 1 OF 4

ASSEMBLY / PARTS LIST (B.O.M.)

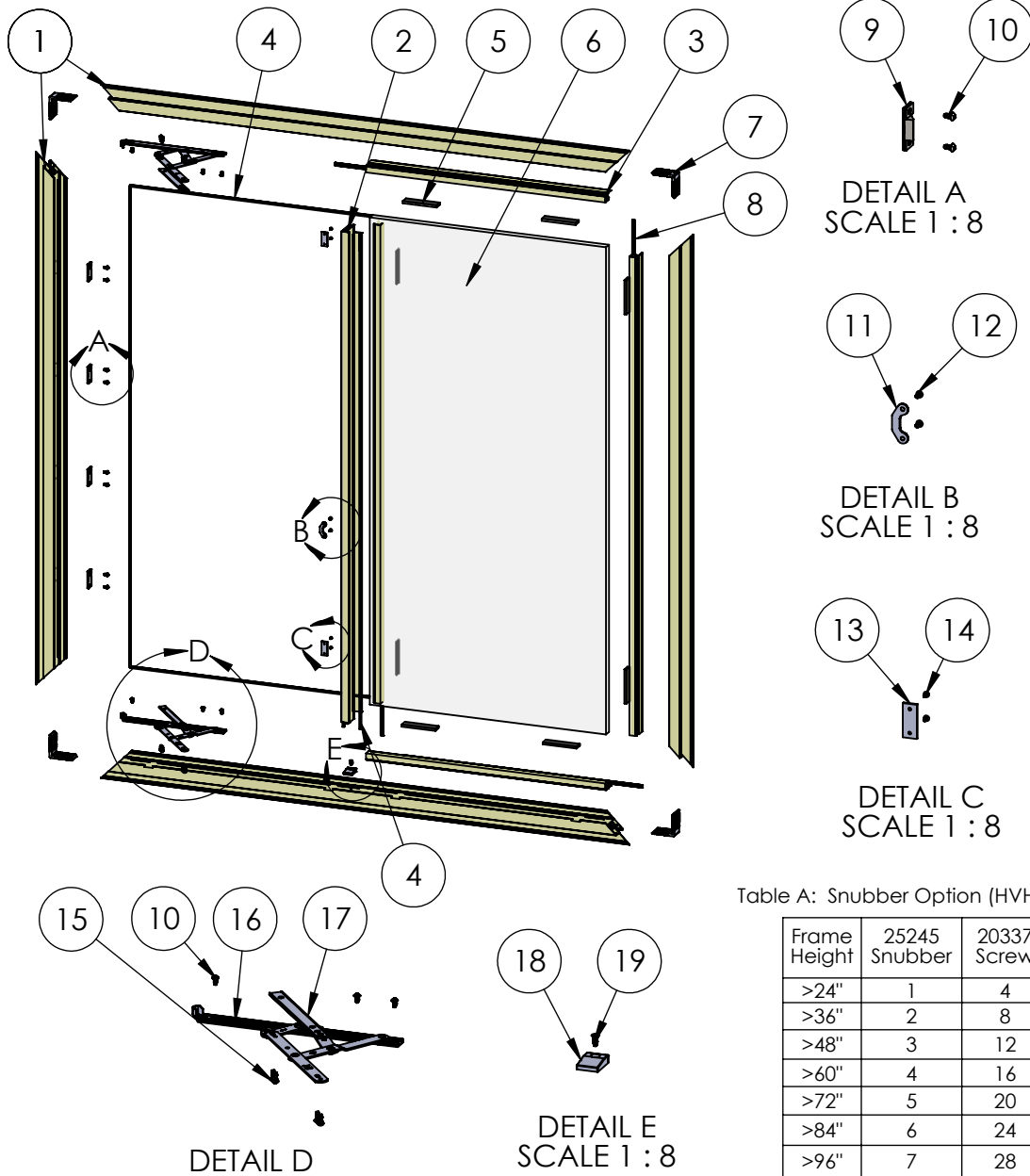


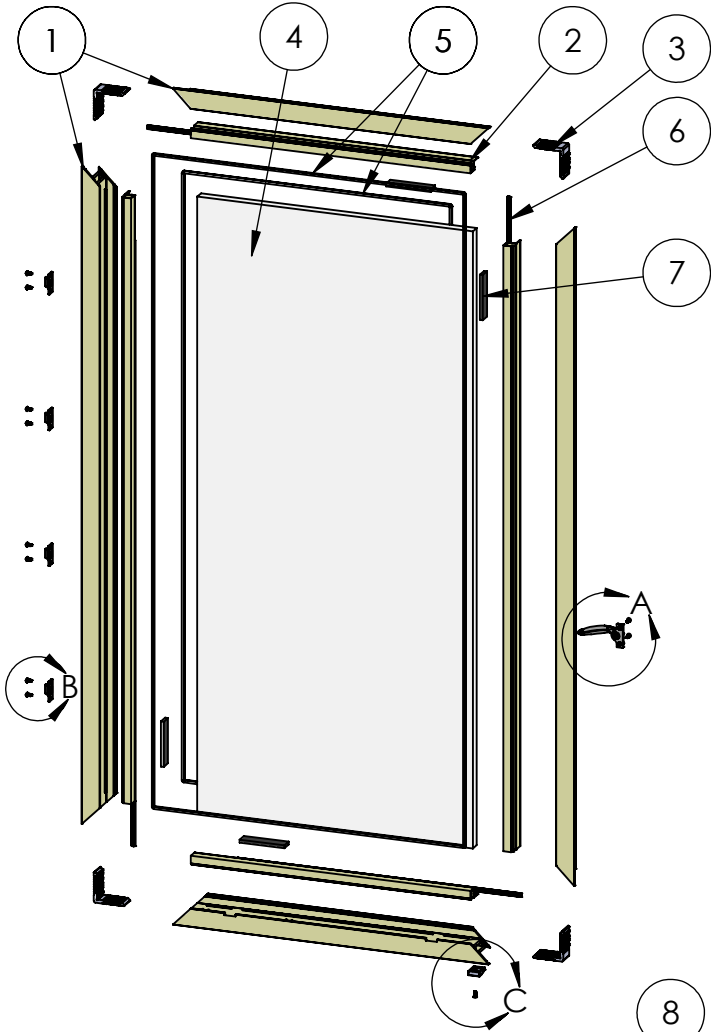
Table A: Snubber Option (HVHZ only)

Frame Height	25245 Snubber	20337 Screw
>24"	1	4
>36"	2	8
>48"	3	12
>60"	4	16
>72"	5	20
>84"	6	24
>96"	7	28

EXTRUSIONS			
ITEM NO.	PART NUMBER	DESCRIPTION	QTY.
1	05P88, 05P19	Perimeter - OG (Nail-on Block)	4
2	05P01	250-T Tee Bar (Muntin)	1
3	05P09, 02P12, 05P10, 05P06, 05P05	Glass Stop (1"), (1-1/4"), (1-1/2"), (5/8" and 1/2"), (1/4" or 1")	4
HARDWARE			
ITEM NO.	PART NUMBER	DESCRIPTION	QTY.
4	25199	Mini Bulb Vinyl	3
5	18620	Setting Block 4" x 1/4"x1"	8
6	-	Glass	1
7	20596	Corner Key, Vent	4
9	See Table A	Snubber, Frame Portion (HVHZ only)	4
10	20337	#10 PHP-B, 3/8", Clear	14
11	24983	Cam Strike Plate	1
12	20937, 20268	#8 FHP - B - UC, 3/8", SS, (Clear, Black)	2
13	25405	Hinge Screen Magnet	2
14	20901	#6 X 3/8" UC FHSM	4
15	20338	#10 PHP-B, 1/2", Clear	8
16	24932, 22865, 24654, 24655, 18811, 22868	4 Bar Hinge (8", 10", 12", 16", 22")	1
17	26229, 26230, 26231, 26232	4 Bar Shim (10", 12", 16", 22")	2
18	18770	Large Pivot Shim	1
19	20272	#10 FHP-A-UC, 1/2", Clear	1

Description Frame Assembly	
File Name Series 250-T CO Casement with 4 Bar Hinges and Cam Handle	REV A
Released 8/25/2020	SHEET 2 OF 4

ASSEMBLY / PARTS LIST (B.O.M.)

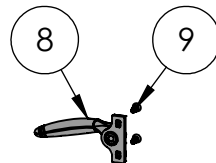


EXTRUSIONS

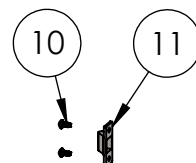
ITEM NO.	PART NUMBER	DESCRIPTION	QTY.
1	05P11	Zee Bar	4
2	05P09, 02P12, 05P10, 05P06, 05P05	Glass Stop (1"), (1-1/4"), (1-1/2"), (5/8" and 1/2"), (1/4" or 1")	4

HARDWARE

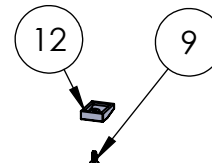
ITEM NO.	PART NUMBER	DESCRIPTION	QTY.
3	20596	Corner Key, Vent	4
4	-	Glass	1
5	25199	Mini Bulb Vinyl	2
6	25031	Bulb Vinyl-Large	4
7	18620	Setting Block 4" x 1/4"x1"	4
8	25735, 25740, 25739, 25736, 25737	Cam Handle (PO) (Gray, Black, Stainless Steel), (LH & RH)	1
9	20272	#10 FHP-A-UC, 1/2", Clear	3
10	20337	#10 PHP-B, 3/8", Clear	8
11	See Table A	Snubber (HVHZ only)	4
12	18770	Large Pivot Shim	1



DETAIL A
SCALE 1 : 8



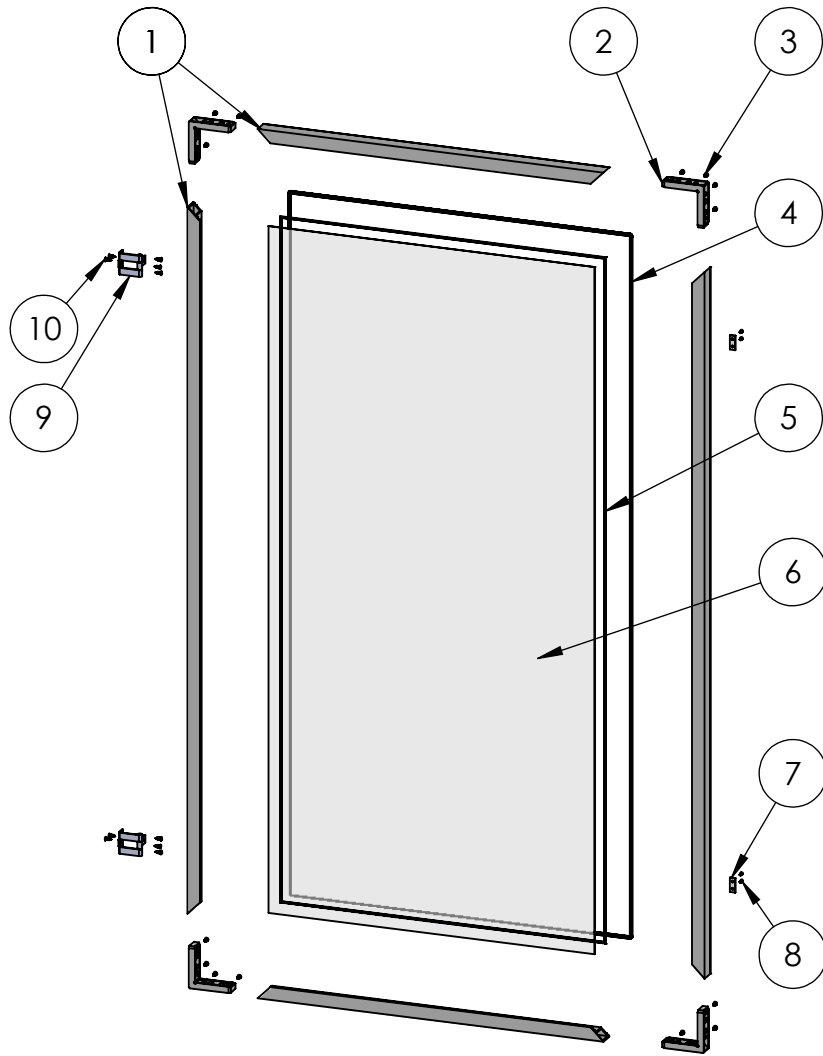
DETAIL B
SCALE 1 : 8



DETAIL C
SCALE 1 : 8

Description Panel Assembly	
File Name Series 250-T CO Casement with 4 Bar Hinges and Cam Handle	REV A
Released 8/25/2020	SHEET 3 OF 4

ASSEMBLY / PARTS LIST (B.O.M.)



EXTRUSIONS			
ITEM NO.	PART NUMBER	DESCRIPTION	QTY.
1	958	Extruded Hinged Screen Frame (V2)	4
HARDWARE			
ITEM NO.	PART NUMBER	DESCRIPTION	QTY.
2	25759	Corner Key	4
3	20240	#8 FHP - A - UC, 1/2", SS, Clear , 98903A250	16
4	25189	Q-Lon Foam Seal	1
5	19127	Screen Rubber Spline .150	1
6	-	Screen Mesh	1
7	25406	Hinge Screen Strike w / Screws	2
8	AD43ABS200	#4 FHP-B-UC Screw, .375 in.	4
9	25216, 25756	Screen Hinge V 2, Black	2
10	20240, 20241	#8 FHP - A - UC, 1/2", SS, Clear, Black	26

Description
 Hinge Screen Assembly

File Name
 Series 250-T CO Casement
 with 4 Bar Hinges and
 Cam Handle

REV
A

PROPRIETARY AND CONFIDENTIAL
 THE INFORMATION CONTAINED IN THIS DRAWING IS THE SOLE PROPERTY OF FLEETWOOD WINDOWS & DOORS.
 ANY REPRODUCTION IN PART OR AS A WHOLE WITHOUT THE WRITTEN PERMISSION OF FLEETWOOD WINDOWS & DOORS IS PROHIBITED.

Released 8/25/2020

SHEET 4 OF 4