

ASSEMBLY / PARTS LIST (B.O.M.)

Series: 250-T
Type: Casement (CC) with 4 Bar Hinges & Cam Handles

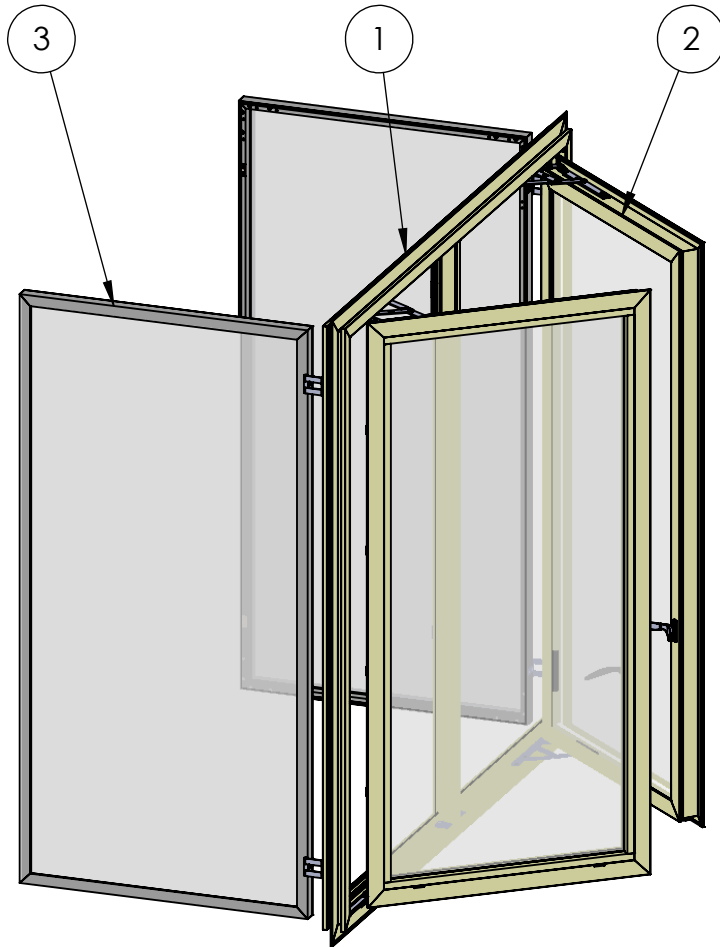
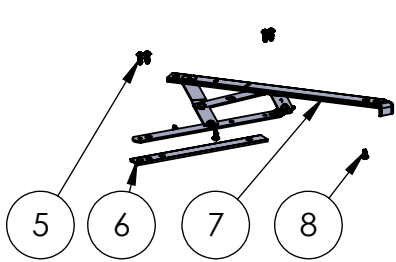
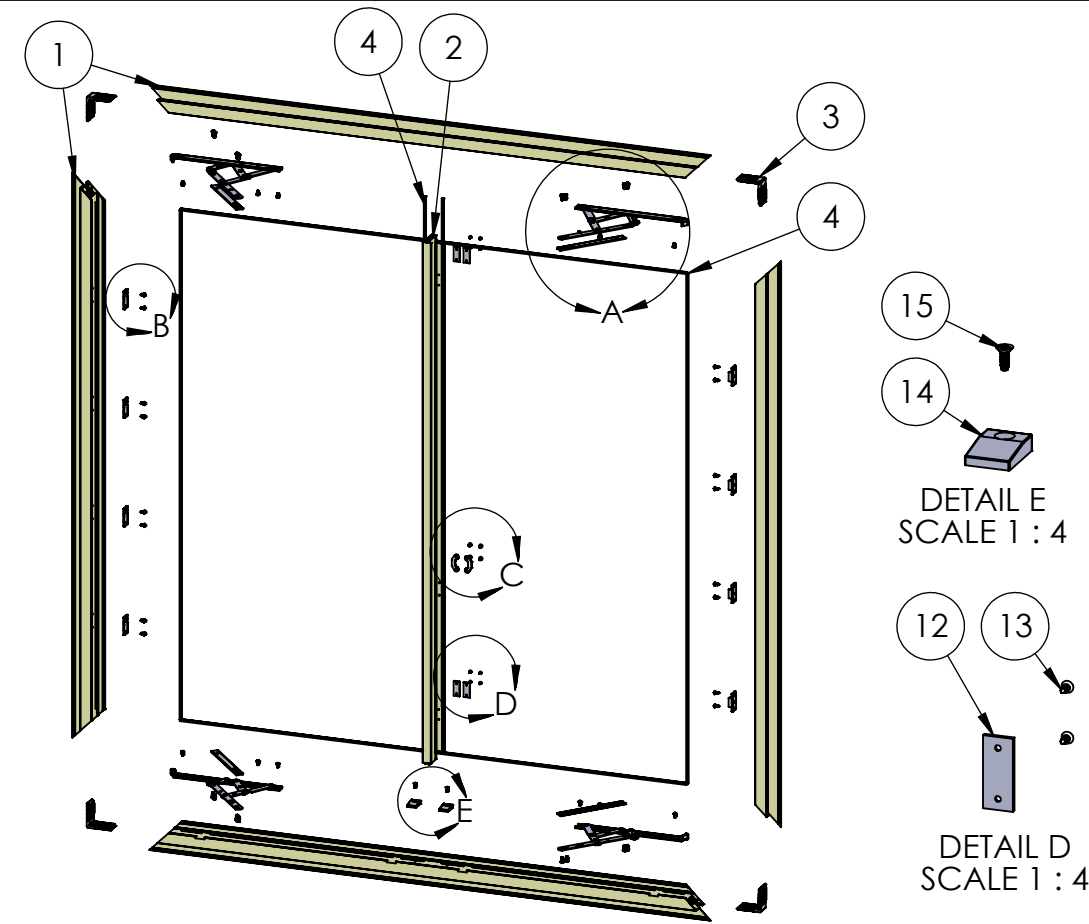


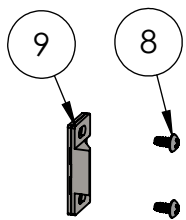
TABLE OF CONTENTS			
ITEM NO.	DESCRIPTION	QTY.	PAGE #
1	FRAME ASSEMBLY	1	2
2	PANEL ASSEMBLY	2	3
3	HINGE SCREEN ASSEMBLY	2	4

Description Table of Contents	
File Name Series 250-T CC Casement Assembly with 4 Bar Hinges and Cam Handles	REV A
Released 8/24/2020	SHEET 1 OF 4

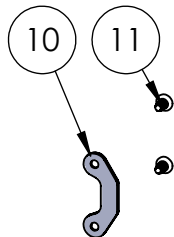
ASSEMBLY / PARTS LIST (B.O.M.)



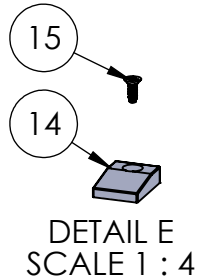
DETAIL A
SCALE 1 : 10



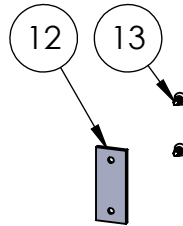
DETAIL B
SCALE 1 : 4



DETAIL C
SCALE 1 : 4



DETAIL E
SCALE 1 : 4



DETAIL D
SCALE 1 : 4

EXTRUSIONS

ITEM NO.	PART NUMBER	DESCRIPTION	QTY.
1	05P88, 05P19	Perimeter - OG (Nail-on, Block)	4
2	05P01	Tee Bar (Muntin)	1

HARDWARE

ITEM NO.	PART NUMBER	DESCRIPTION	QTY.
3	20596	Corner Key, Vent	4
4	25199	Mini Bulb Vinyl	3
5	20338	#10 PHP-B, 1/2", Clear	16
6	26229, 26230, 26231, 26232	4 Bar Shim (10", 12", 16", 22")	4
7	24932, 22865, 24654, 24655, 18811, 22868	4 Bar Hinge (8", 10", 12", 16", 22")	2
8	20337	#10 PHP-B, 3/8", Clear	28
9	See Table A	Snubber, Frame Portion (HVHZ only)	8
10	24983	Cam Strike Plate	2
11	20937, 20268	#8 FHP-B-UC, 3/8" (Clear, Black)	4
12	25405	Hinge Screen Magnet	4
13	20901	#6 X 3/8" UC FHSM	8
14	18770	Large Pivot Shim	2
15	20272	#10 FHP-A-UC, 1/2", Clear	2

Table A: Snubber Option (HVHZ only)

Frame Height	25245 Snubber	20337 Screw
>24"	1	4
>36"	2	8
>48"	3	12
>60"	4	16
>72"	5	20
>84"	6	24
>96"	7	28

Description
Frame Assembly

File Name
Series 250-T CC Casement
Assembly with 4 Bar Hinges
and Cam Handles

REV
A

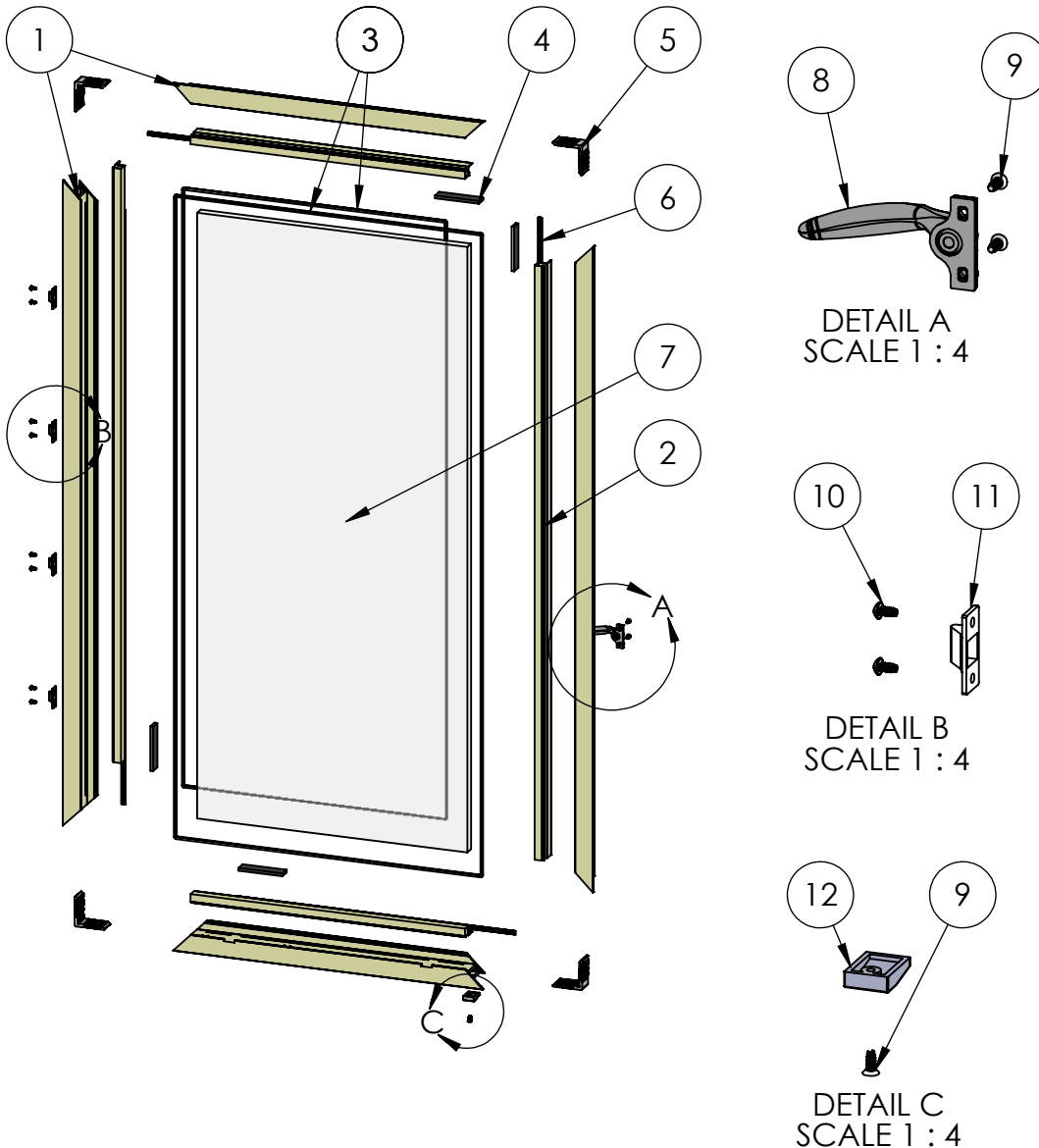
PROPRIETARY AND CONFIDENTIAL

THE INFORMATION CONTAINED IN THIS DRAWING IS THE SOLE PROPERTY OF FLEETWOOD WINDOWS & DOORS.
ANY REPRODUCTION IN PART OR AS A WHOLE WITHOUT THE WRITTEN PERMISSION OF FLEETWOOD WINDOWS & DOORS IS PROHIBITED.

Released 8/24/2020

SHEET 2 OF 4

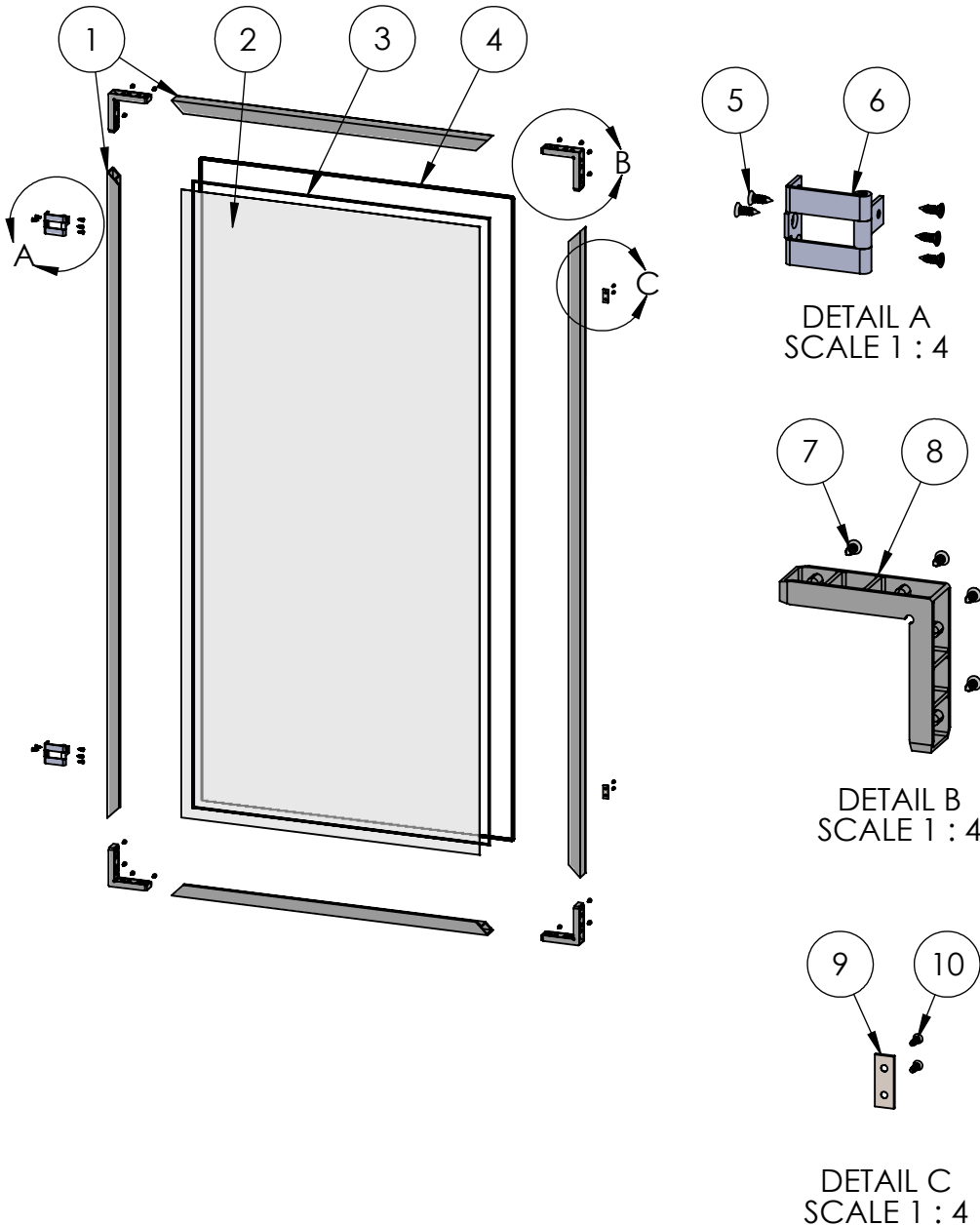
ASSEMBLY / PARTS LIST (B.O.M.)



EXTRUSIONS			
ITEM NO.	PART NUMBER	DESCRIPTION	QTY.
1	02P11	Zee Bar	4
2	04P09, 04P05, 04P06	Glass Stop (1"), (1/4"), (5/8", 9/16", and 1/2")	4
HARDWARE			
ITEM NO.	PART NUMBER	DESCRIPTION	QTY.
3	25199	Mini Bulb Vinyl	2
4	18620	Setting Block 4" x 1/4"x1"	4
5	20596	Corner Key, Vent	4
6	25031	Bulb Vinyl-Large	4
7	-	Glass	1
8	25735, 25740, 25739, 25736, 25737	Cam Handle (PO) (Gray, Black, Stainless Steel), (LH & RH)	1
9	20272	#10 FHP-A-UC, 1/2", Clear	3
10	20337	#10 PHP-B, 3/8", Clear	8
11	See Table A	Snubber (HVHZ only)	4
12	18770	Large Pivot Shim	1

Description Panel Assembly	
File Name Series 250-T CC Casement Assembly with 4 Bar Hinges and Cam Handles	REV A
Released 8/24/2020	SHEET 3 OF 4

ASSEMBLY / PARTS LIST (B.O.M.)



EXTRUSIONS			
ITEM NO.	PART NUMBER	DESCRIPTION	QTY.
1	958	Extruded Hinged Screen Frame (V2)	4
HARDWARE			
ITEM NO.	PART NUMBER	DESCRIPTION	QTY.
2	-	Screen Mesh	1
3	19127	Screen Rubber Spline .150	1
4	25189	Q-Lon Foam Seal	1
5	20240, 20241	#8 FHP - A - UC, 1/2", SS, Clear, Black	26
6	25216, 25756	Screen Hinge V 2, Black	2
8	25759	Corner Key	4
9	25406	Hinge Screen Strike w/ Screws	2
10	25784	#4 FHP-B-UC Screw, .375 in.	4

Description Hinged Screen Assembly	
File Name Series 250-T CC Casement Assembly with 4 Bar Hinges and Cam Handles	REV A
Released 8/24/2020	SHEET 4 OF 4

PROPRIETARY AND CONFIDENTIAL
THE INFORMATION CONTAINED IN THIS DRAWING IS THE SOLE PROPERTY OF FLEETWOOD WINDOWS & DOORS.
ANY REPRODUCTION IN PART OR AS A WHOLE WITHOUT THE WRITTEN PERMISSION OF FLEETWOOD WINDOWS & DOORS IS PROHIBITED.