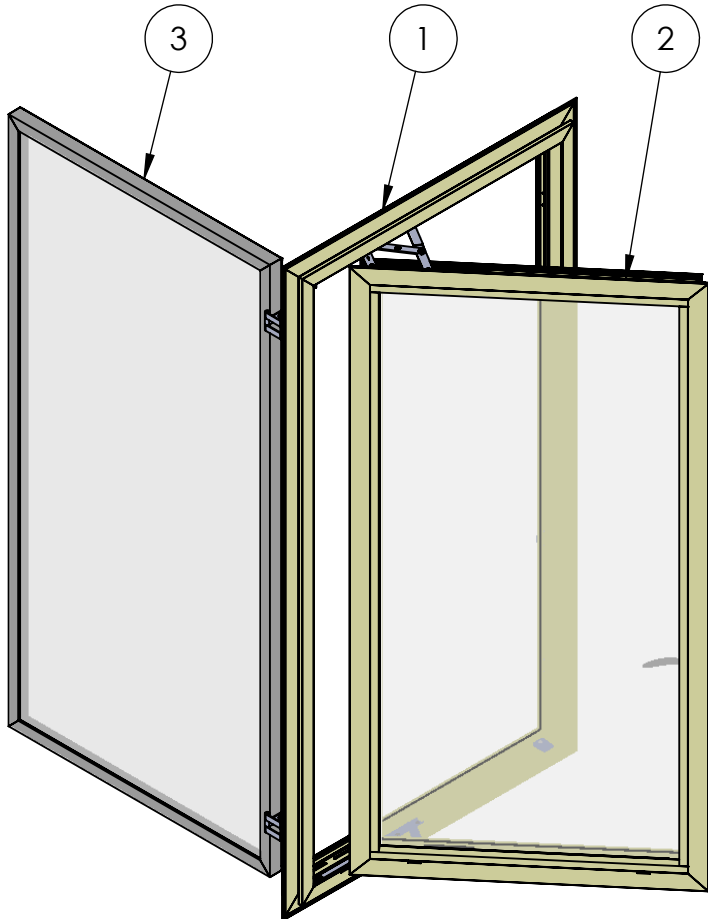


ASSEMBLY / PARTS LIST (B.O.M.)

Series: 250-T
Type: Casement (C) with 4 Bar Hinges & Cam Handle

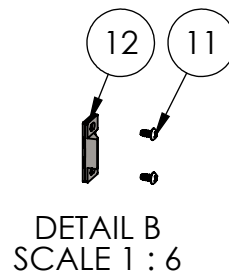
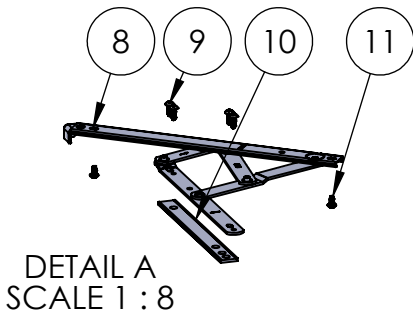
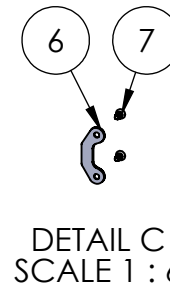
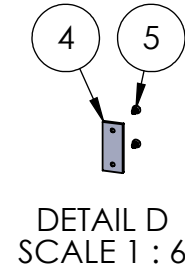
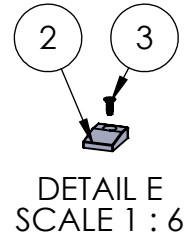
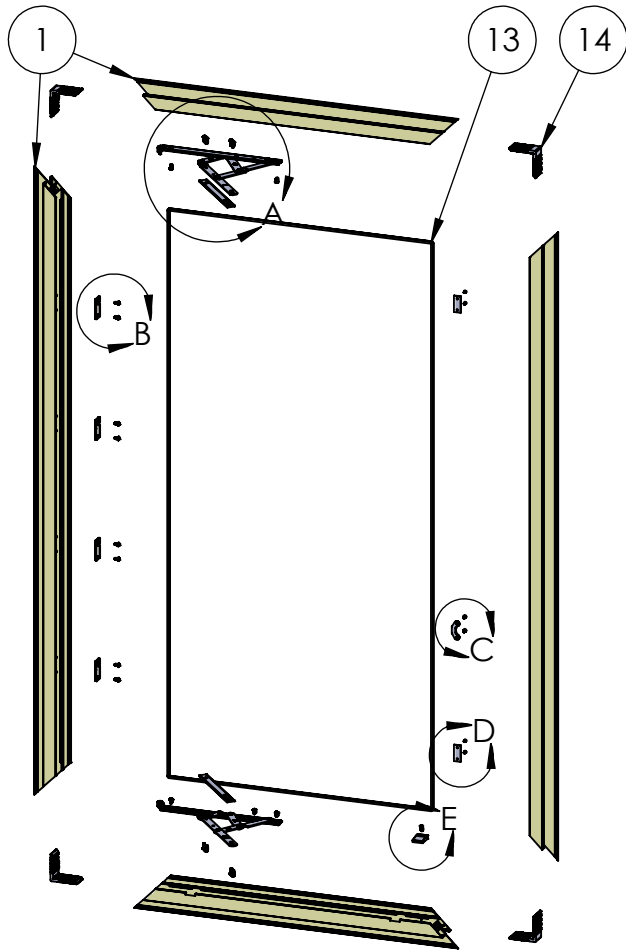
ITEM NO.	DESCRIPTION	QTY.	PAGE #
1	FRAME ASSEMBLY	1	2
2	PANEL ASSEMBLY	1	3
3	HINGE SCREEN ASSEMBLY	1	4



Description Table of Contents	
File Name Series 250-T C Casement Assembly with 4 Bar Hinges and Cam Handle	REV B
Released 8/24/2020	SHEET 1 OF 4

PROPRIETARY AND CONFIDENTIAL
 THE INFORMATION CONTAINED IN THIS DRAWING IS THE SOLE PROPERTY OF FLEETWOOD WINDOWS & DOORS.
 ANY REPRODUCTION IN PART OR AS A WHOLE WITHOUT THE WRITTEN PERMISSION OF FLEETWOOD WINDOWS & DOORS IS PROHIBITED.

ASSEMBLY / PARTS LIST (B.O.M.)



EXTRUSIONS

ITEM NO.	PART NUMBER	DESCRIPTION	QTY.
1	05P88, 05P19	Perimeter -OG (Nail-on, Block)	4
HARDWARE			
ITEM NO.	PART NUMBER	DESCRIPTION	QTY.
2	18770	Large Pivot Shim	1
3	20272	#10 FHP - A - UC, 1/2" SS, Clear	1
4	25405	Hinge Screen Magnet	2
5	20901	#6 X 3/8" UC FHSM	4
6	24983	Cam Strike Plate	1
7	20937, 20268	#8 FHP-B-UC, 3/8", SS, (Clear, Black)	2
8	24932, 22865, 24654, 22866, 18811, 22868	4 Bar Hinge (8", 10", 12", 16", 16" Egress, 22")	1
9	20338	#10 PHP - B, 1/2", SS, Clear	8
10	26229, 26230, 26231, 26232	4 Bar Shim (10", 12", 16", 22")	2
11	20337	#10 PHP - B, 3/8", SS, Clear	14
12	See Table A	Snubber, Frame Portion (HVHZ only)	4
13	25199	Mini Bulb Vinyl	1
14	20596	Corner Key, Vent	4
15	24932, 22865, 24654, 24655, 18811, 22868	4 Bar Hinge (8", 10", 12", 16", 22")	1

Table A: Snubber Option (HVHZ only)

Frame Height	25245 Snubber	20337 Screw
>24"	1	4
>36"	2	8
>48"	3	12
>60"	4	16
>72"	5	20
>84"	6	24
>96"	7	28

Description
Frame Assembly

File Name
Series 250-T C Casement
Assembly with 4 Bar Hinges
and Cam Handle

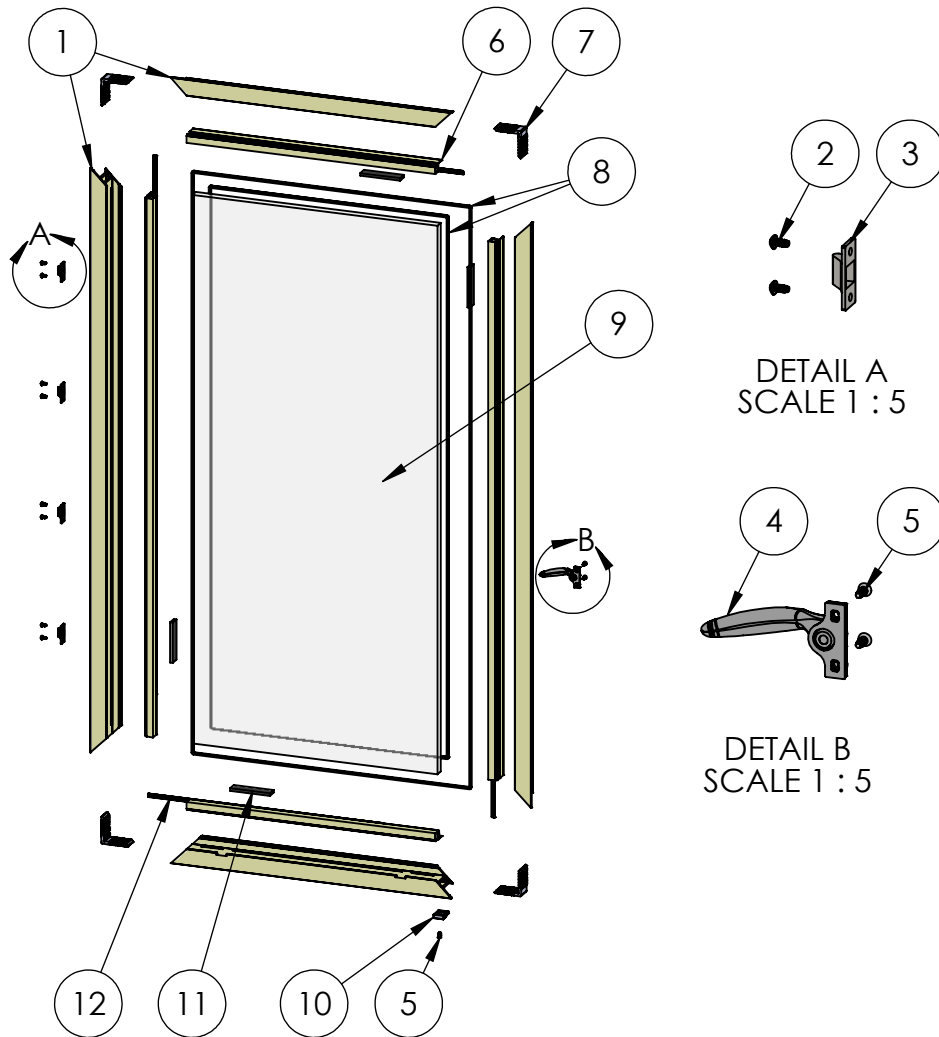
REV
B

PROPRIETARY AND CONFIDENTIAL
THE INFORMATION CONTAINED IN THIS DRAWING IS THE SOLE PROPERTY OF FLEETWOOD WINDOWS & DOORS.
ANY REPRODUCTION IN PART OR AS A WHOLE WITHOUT THE WRITTEN PERMISSION OF FLEETWOOD WINDOWS & DOORS IS PROHIBITED.

Released 8/24/2020

SHEET 2 OF 4

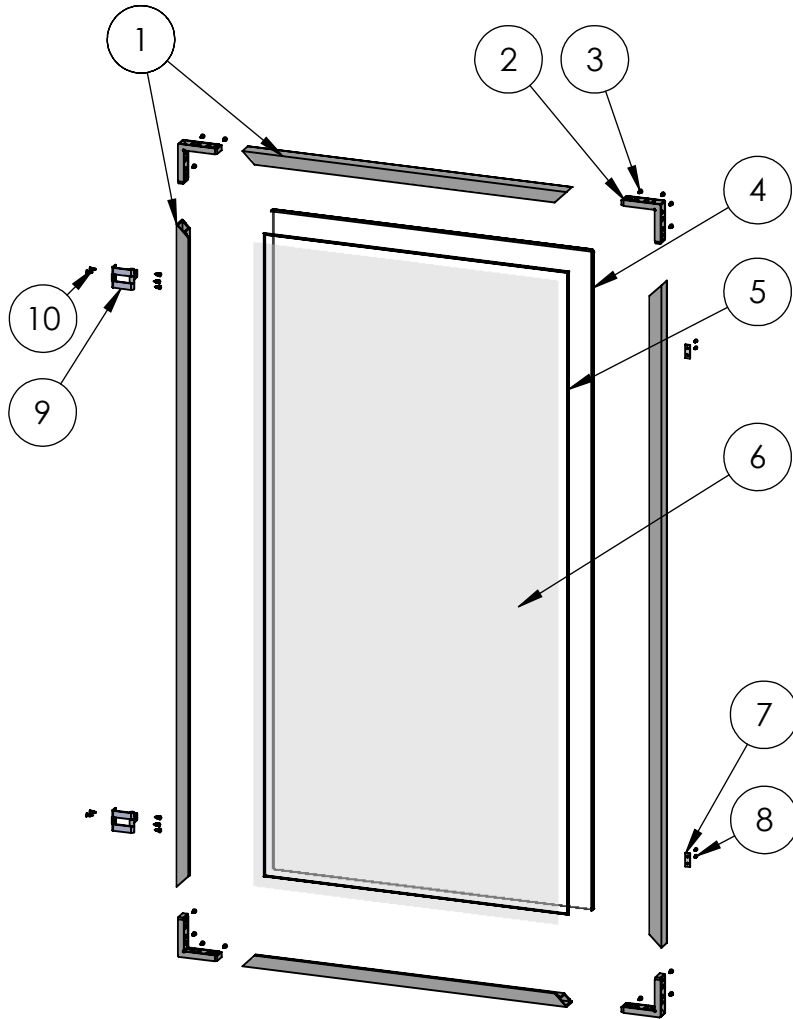
ASSEMBLY / PARTS LIST (B.O.M.)



EXTRUSIONS			
ITEM NO.	PART NUMBER	DESCRIPTION	QTY.
1	05P11	Zee Bar	4
2	20337	#10 PHP - B, 3/8", SS, Clear	8
HARDWARE			
ITEM NO.	PART NUMBER	DESCRIPTION	QTY.
3	See Table A	Snubber (HVHZ only)	4
4	25735, 25740, 25739, 25736, 25737	Cam Handle (PO) (Gray, Black, Stainless Steel), (LH & RH)	1
5	20272	#10 FHP - A - UC, 1/2" SS, Clear	3
6	05P09, 05P12, 05P10, 05P06, 05P05	Glass Stop (1"), (1-1/4"), (1-1/2"), (5/8", 9/16" and 1/2"), (1/4")	4
7	20596	Corner Key, Vent	4
8	25199	Mini Bulb Vinyl	2
9	-	Glass	1
10	18770	Large Pivot Shim	1
11	18620	Setting Block 4" x 1/4"x1"	4
12	25031	Bulb Vinyl-Large	4

Description Panel Assembly	
File Name Series 250-T C Casement Assembly with 4 Bar Hinges and Cam Handle	REV B
Released 8/24/2020	SHEET 3 OF 4

ASSEMBLY / PARTS LIST (B.O.M.)



EXTRUSIONS

ITEM NO.	PART NUMBER	DESCRIPTION	QTY.
1	958	Hinged Screen Frame	1

HARDWARE

ITEM NO.	PART NUMBER	DESCRIPTION	QTY.
2	25759	Corner Key	4
3	20240	#8 FHP - A - UC, 1/2", SS, Clear	16
4	25189	Q-Lon Foam Seal	1
5	19127	Screen Rubber Spline .150	1
6	-	Screen Mesh	1
7	25406	Hinge Screen Strike w/ screws	2
8	25784	#4 FHP-B-UC Screw, .375 in.	4
9	25216, 25756	Screen Hinge V 2, Black	2
10	20240, 20241	#8 FHP-A-UC, 1/2", Clear, Black	10

Description
 Hinge Screen Assembly

File Name
 Series 250-T C Casement
 Assembly with 4 Bar Hinges
 and Cam Handle

REV
B

PROPRIETARY AND CONFIDENTIAL

THE INFORMATION CONTAINED IN THIS DRAWING IS THE SOLE PROPERTY OF FLEETWOOD WINDOWS & DOORS.
 ANY REPRODUCTION IN PART OR AS A WHOLE WITHOUT THE WRITTEN PERMISSION OF FLEETWOOD WINDOWS & DOORS IS PROHIBITED.

Released 8/24/2020

SHEET 4 OF 4