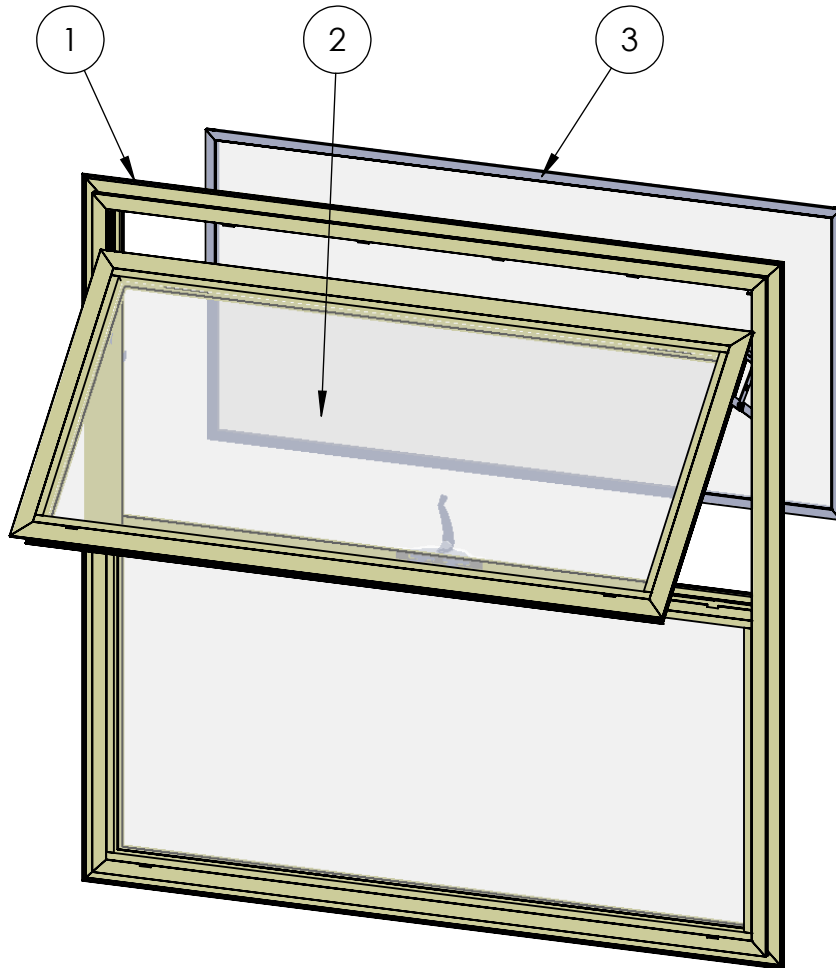


ASSEMBLY / PARTS LIST (B.O.M.)

Series: 250-T

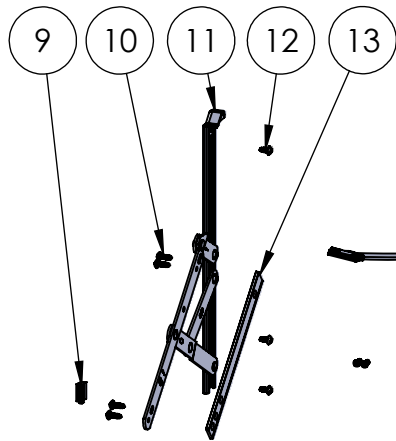
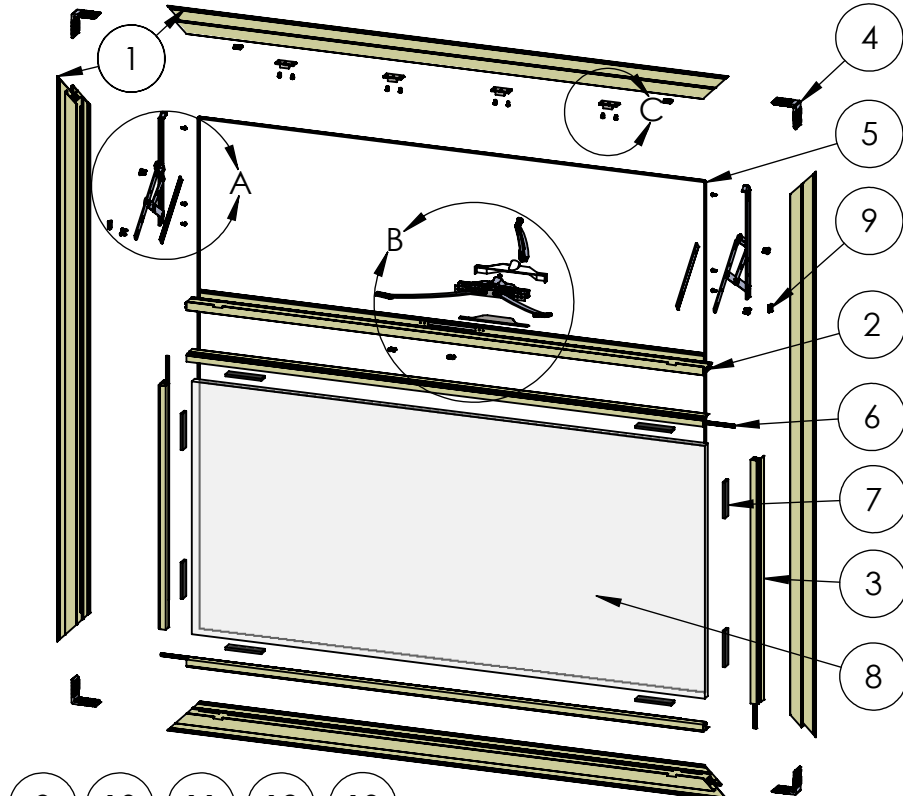
Type: Awning (A/O) with 4 Bar Hinges and Roto Operator

ITEM NO.	DESCRIPTION	QTY.	PAGE #
1	FRAME ASSEMBLY	1	2
2	PANEL ASSEMBLY	1	3
3	FLAT SCREEN ASSEMBLY	1	4
4	TABLES	1	5

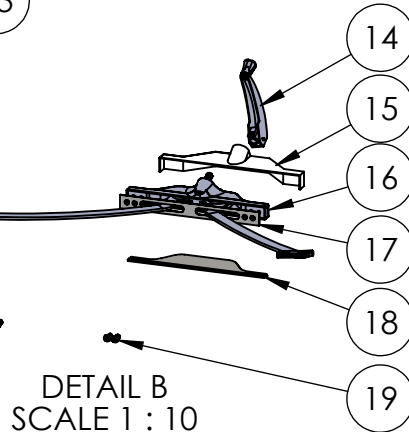


Description Table of Contents	
File Name Series 250-T A over O Awning Assembly with 4 Bar Hinges and Roto Operator	REV A
Released 8/21/2020	SHEET 1 OF 5

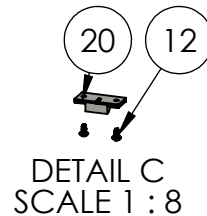
ASSEMBLY / PARTS LIST (B.O.M.)



DETAIL A
SCALE 1 : 8



DETAIL B
SCALE 1 : 10



DETAIL C
SCALE 1 : 8

EXTRUSIONS

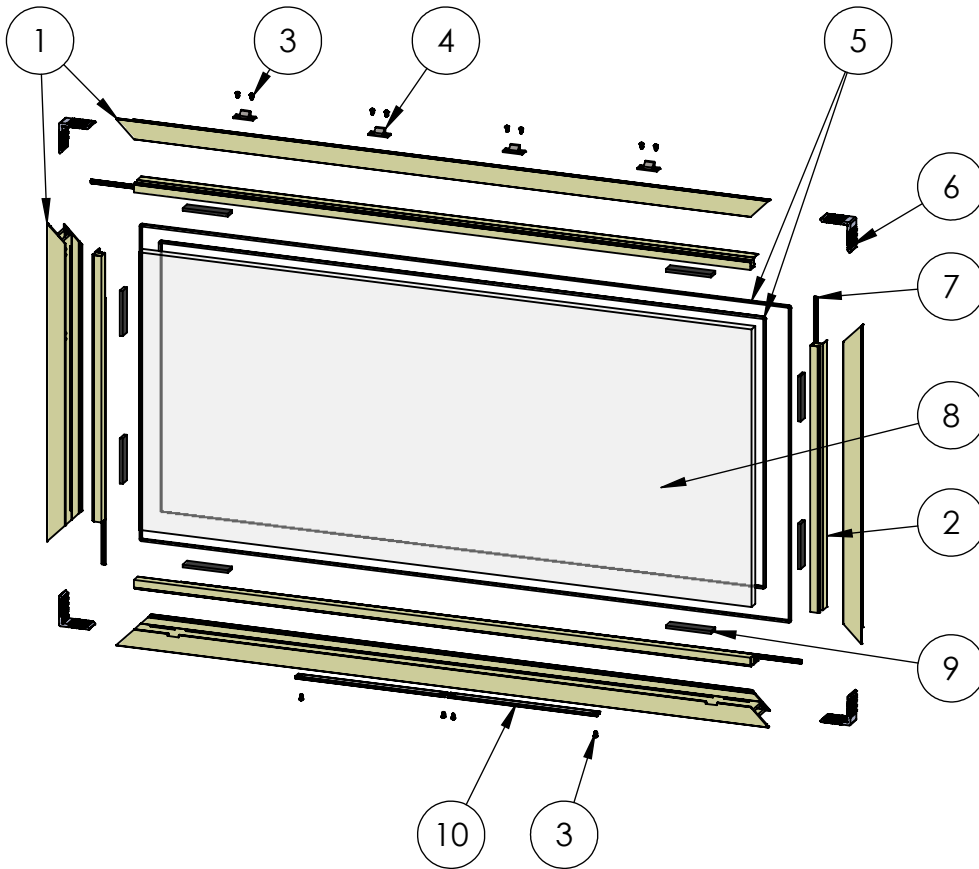
ITEM NO.	PART NUMBER	DESCRIPTION	QTY.
1	05P88	Nail-fin Frame	4
2	05P01	Tee Bar (Muntin)	1
3	05P09, 02P12, 05P10, 05P06, 05P05	Glass Stop (1", 1.25", 1.5", 5/8" and 1/2", 1/4"	2

HARDWARE

ITEM NO.	PART NUMBER	DESCRIPTION	QTY.
4	20596	Corner Key, Vent	4
5	25199	Mini Bulb Vinyl	1
7	18620	Setting Block 4" x 1/4"x1"	8
8	-	Glass	1
9	25173, 25753	Screen Clip, SS, Clear, Black	4
10	20338	#10 PHP - B, 1/2", SS, Clear	8
11	24932, 22865, 24654, 24655, 18811, 22868	4 Bar Hinge (8", 10", 12", 16", 22")	1
12	20337	#10 PHP-B, 3/8", SS, Clear	14
13	26229, 26230, 26231, 26232	4 Bar Shim (10", 12", 16", 22")	2
14	See Table B	Handle Options	1
15	25636	Awning Oper. Cover	1
16	See Table A	PSRO (2 ARM Operator) Options	1
17	18743	Gasket (PSRO) 30171	1
18	25810,25811	Roto Operator Bottom Cover Plate	1
19	25574	#10-32 Torx Button-Head, 0.5", Clear	4
20	See Table A	Snubber, Frame Portion (HVHZ only)	4

Description Frame Assembly	
File Name Series 250-T A over O Awning Assembly with 4 Bar Hinges and Roto Operator	REV A
Released 8/21/2020	SHEET 2 OF 5

ASSEMBLY / PARTS LIST (B.O.M.)

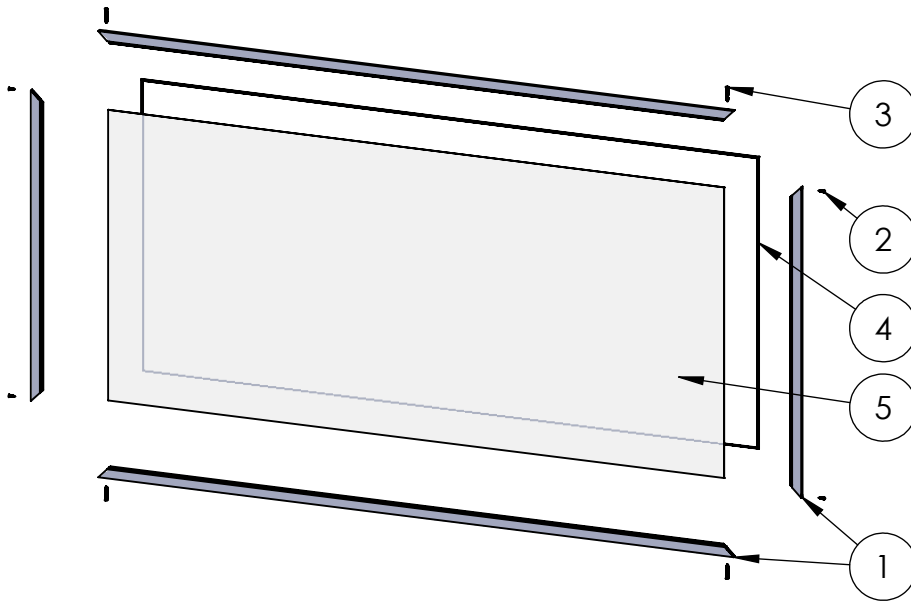


EXTRUSIONS			
ITEM NO.	PART NUMBER	DESCRIPTION	QTY.
1	05P11	Zee Bar	4
2	05P09, 05P12, 05P10, 05P06, 05P05	Glass Stop (1"), (1-1/4"), (1-1/2"), (5/8", 9/16" and 1/2"), (1/4")	4
HARDWARE			
ITEM NO.	PART NUMBER	DESCRIPTION	QTY.
3	20337	#10 PHP - B, 3/8", SS, Clear	12
4	See Table A	Snubber (HVHZ only)	4
5	25199	Mini Bulb Vinyl	2
6	20596	Corner Key, Vent	4
7	25031	Bulb Vinyl-Large	4
8	-	Glass	1
9	18620	Setting Block 4" x 1/4"x1"	8
10	25567, 25468	Track, PSRO (9.125", 13.75")	2

PROPRIETARY AND CONFIDENTIAL
 THE INFORMATION CONTAINED IN THIS DRAWING IS THE SOLE PROPERTY OF FLEETWOOD WINDOWS & DOORS.
 ANY REPRODUCTION IN PART OR AS A WHOLE WITHOUT THE WRITTEN PERMISSION OF FLEETWOOD WINDOWS & DOORS IS PROHIBITED.

Description Panel Assembly	
File Name Series 250-T A over O Awning Assembly with 4 Bar Hinges and Roto Operator	REV A
Released 8/21/2020	SHEET 3 OF 5

ASSEMBLY / PARTS LIST (B.O.M.)



EXTRUSIONS			
ITEM NO.	PART NUMBER	DESCRIPTION	QTY.
1	114	.3125 Screen Frame	4
HARDWARE			
ITEM NO.	PART NUMBER	DESCRIPTION	QTY.
2	25752	#6 FHP - A, 1/2", SS Clear	4
3	25751	#6 FHP - A, 1 1/4", SS Clear	4
4	19127	Screen Rubber Spline .150	1
5	-	Screen Mesh	1

PROPRIETARY AND CONFIDENTIAL
 THE INFORMATION CONTAINED IN THIS DRAWING IS THE SOLE PROPERTY OF FLEETWOOD WINDOWS & DOORS.
 ANY REPRODUCTION IN PART OR AS A WHOLE WITHOUT THE WRITTEN PERMISSION OF FLEETWOOD WINDOWS & DOORS IS PROHIBITED.

Description Flat Screen Assembly	
File Name Series 250-T A over O Awning Assembly with 4 Bar Hinges and Roto Operator	REV A
Released 8/21/2020	SHEET 4 OF 5

ASSEMBLY / PARTS LIST (B.O.M.)

Table A: Operator Option

Material	Size	Color	ID #
Steel	16.75"	Black	18868
		BCN	18871
	27.75"	Black	18876
		BCN	18879
S.S.	16.75"	Black	23304
		BCN	23305
	27.75"	Black	23307
		BCN	23308

Table B: Handle Option

Type	Color	ID #
Folding (PS Roto)	Black	18789
	BCN	18792
Knob (PS Roto)	Black	18748
	BCN	18751

Table C: Snubber Option (HVHZ only)

Frame Width	25245 Snubber	20337 Screw
>24"	1	4
>36"	2	8
>48"	3	12
>60"	4	16
>72"	5	20
>84"	6	24
>96"	7	28

PROPRIETARY AND CONFIDENTIAL

THE INFORMATION CONTAINED IN THIS DRAWING IS THE SOLE PROPERTY OF FLEETWOOD WINDOWS & DOORS.
ANY REPRODUCTION IN PART OR AS A WHOLE WITHOUT THE WRITTEN PERMISSION OF FLEETWOOD WINDOWS & DOORS IS PROHIBITED.

Description

Tables

File Name

Series 250-T A over O Awning
Assembly with 4 Bar Hinges and
Roto Operator

REV
A

Released

8/21/2020

SHEET 5 OF 5