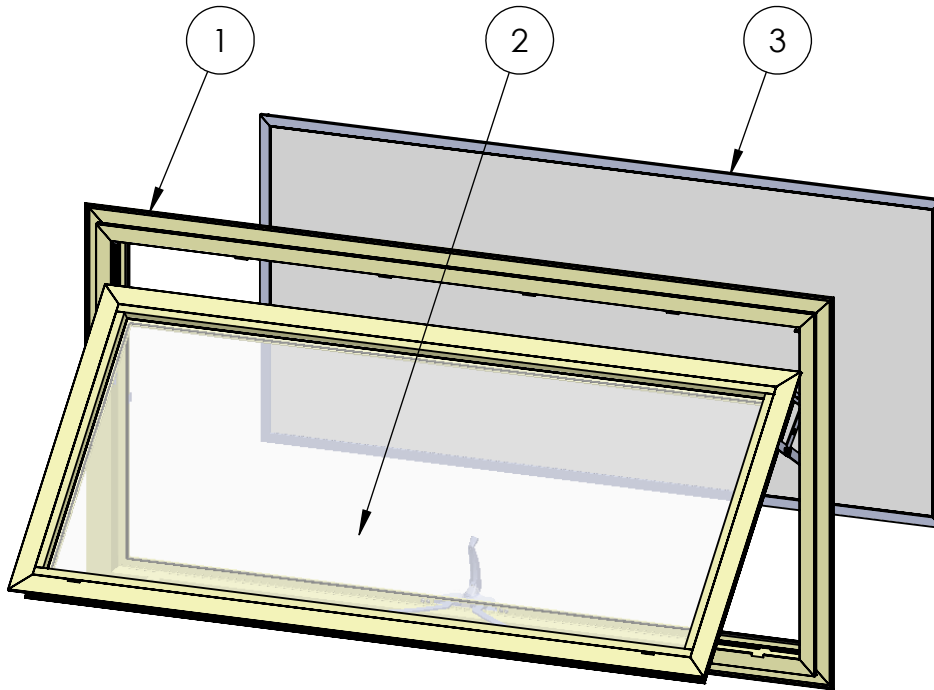


# ASSEMBLY / PARTS LIST (B.O.M.)

**Series: 250-T**

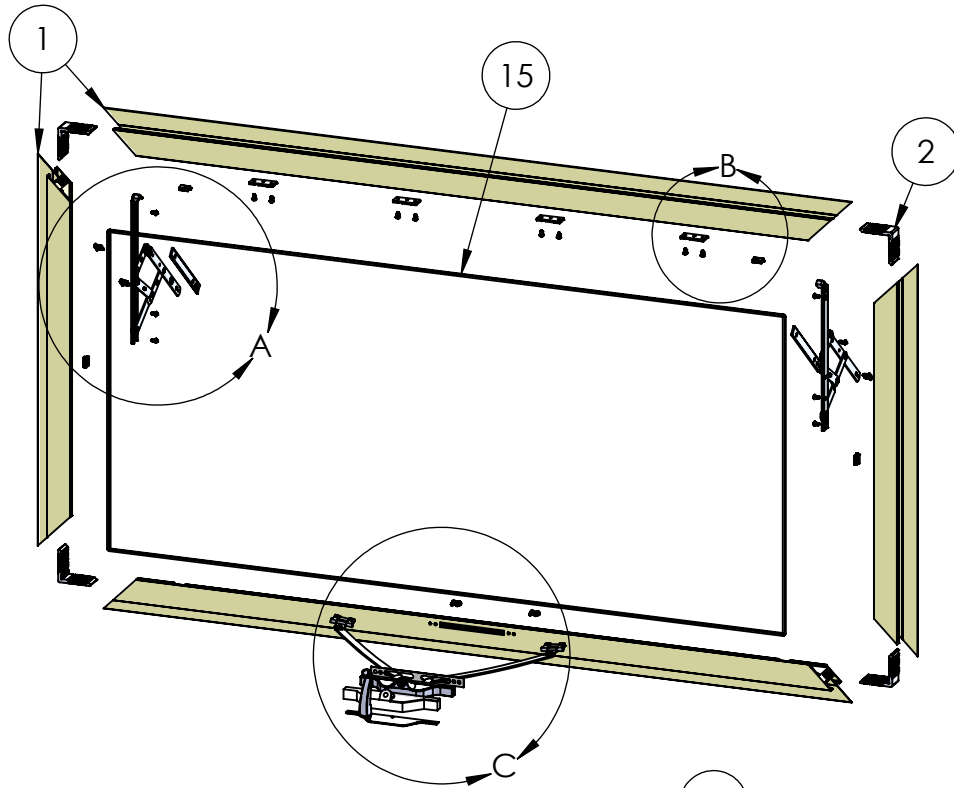
**Type: Awning (A) with 4 Bar Hinges & Roto Operator**

ITEM NO.	DESCRIPTION	QTY.	PAGE #
1	FRAME ASSEMBLY	1	2
2	PANEL ASSEMBLY	1	3
3	FLAT SCREEN ASSEMBLY	1	4
4	TABLES	1	5

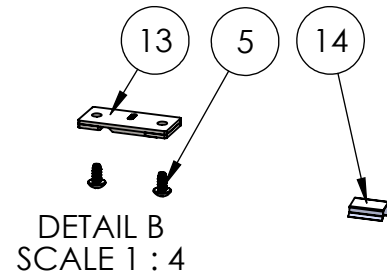
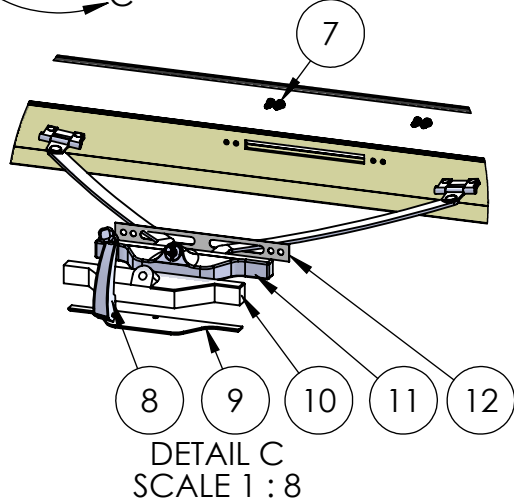
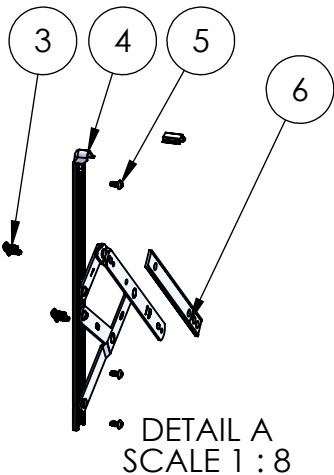


Description Table of Contents	
File Name Series 250-T A Awning Assembly with 4 Bar Hinges and Roto Assembly	REV <b>A</b>
Released 8/18/2020	SHEET 1 OF 5

# ASSEMBLY / PARTS LIST (B.O.M.)



EXTRUSIONS			
ITEM NO.	PART NUMBER	DESCRIPTION	QTY.
1	05P88, 05P19	Perimeter - OG (Nail-on, Block)	4
HARDWARE			
ITEM NO.	PART NUMBER	DESCRIPTION	QTY.
2	20596	Corner Key, Vent	4
3	20338	#10 PHP - B, 1/2", SS, Clear	8
4	24932, 22865, 24654, 24655, 18811, 22868	4 Bar Hinge (8", 10", 12", 16", 22")	2
5	20337	#10 PHP - B, 3/8", SS, Clear	14
6	26229, 26230, 26231, 26232	4 Bar Shim (10", 12", 16", 22")	2
7	25574	#10-32 Torx Button-Head, 0.5", Clear	4
8	See Table B	Handle Options	1
9	25810, 25811	Roto Operator Bottom Cover Plate (optional)	1
10	25636	Awning Oper. Cover	1
11	See Table A	PSRO (2 ARM Operator) Options	1
12	18743	Gasket (PSRO)	1
13	See Table C	Snubber, Frame Portion (HVHZ only)	4
14	25173, 25753	Screen Clip SS, Clear, Black	4
15	25199	Mini Bulb Vinyl	1

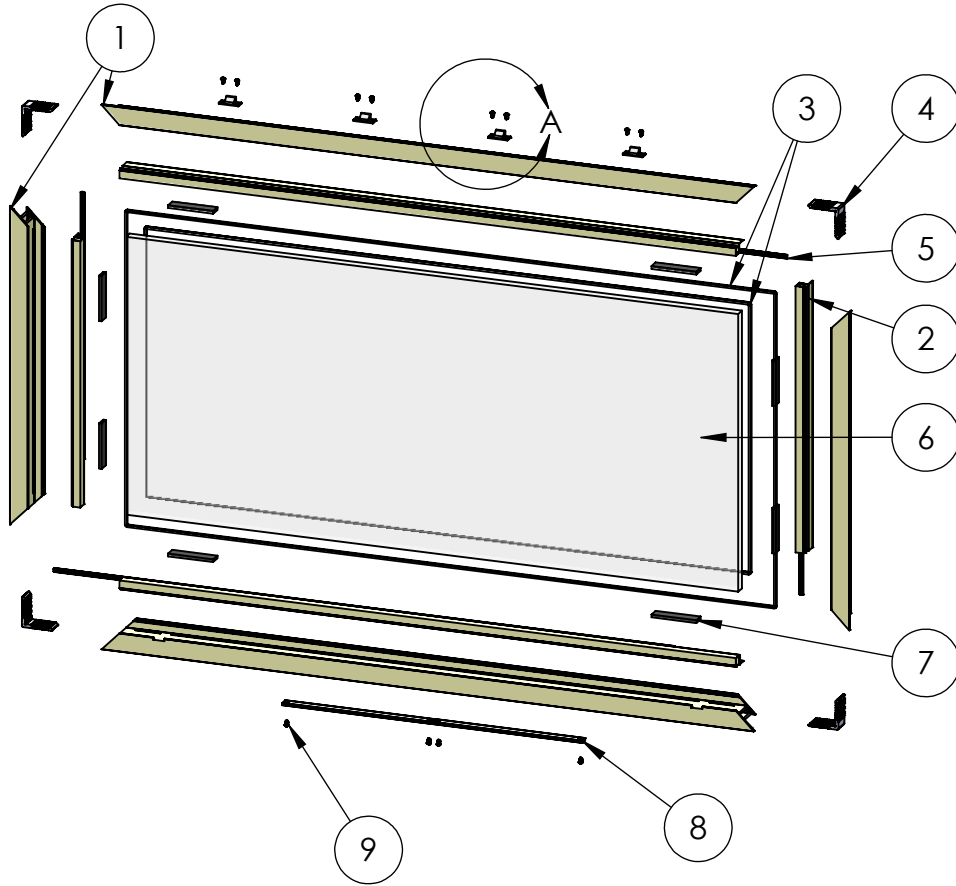


**PROPRIETARY AND CONFIDENTIAL**

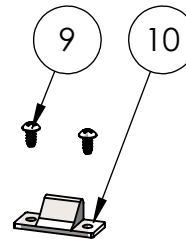
THE INFORMATION CONTAINED IN THIS DRAWING IS THE SOLE PROPERTY OF FLEETWOOD WINDOWS & DOORS.  
ANY REPRODUCTION IN PART OR AS A WHOLE WITHOUT THE WRITTEN PERMISSION OF FLEETWOOD WINDOWS & DOORS IS PROHIBITED.

Description Frame Assembly		REV <b>A</b>
File Name Series 250-T A Awning Assembly with 4 Bar Hinges and Roto Assembly		
Released	8/18/2020	SHEET 2 OF 5

# ASSEMBLY / PARTS LIST (B.O.M.)



EXTRUSIONS			
ITEM NO.	PART NUMBER	DESCRIPTION	QTY.
1	05P11	Zee Bar	4
2	05P09, 05P12, 05P10, 05P06, 05P05	Glass Stop (1"), (1-1/4"), (1-1/2"), (5/8", 9/16" and 1/2"), (1/4")	4
HARDWARE			
ITEM NO.	PART NUMBER	DESCRIPTION	QTY.
3	25199	Mini Bulb Vinyl	2
4	20596	Corner Key, Vent	4
5	25031	Bulb Vinyl-Large	4
6	-	Glass	1
7	18620	Setting Block 4" x 1/4"x1"	8
8	25567, 25468	Track, PSRO (9.125", 13.75")	2
9	20337	#10 PHP - B, 3/8", SS, Clear	12
10	See Table A	Snubber (HVHZ only)	4

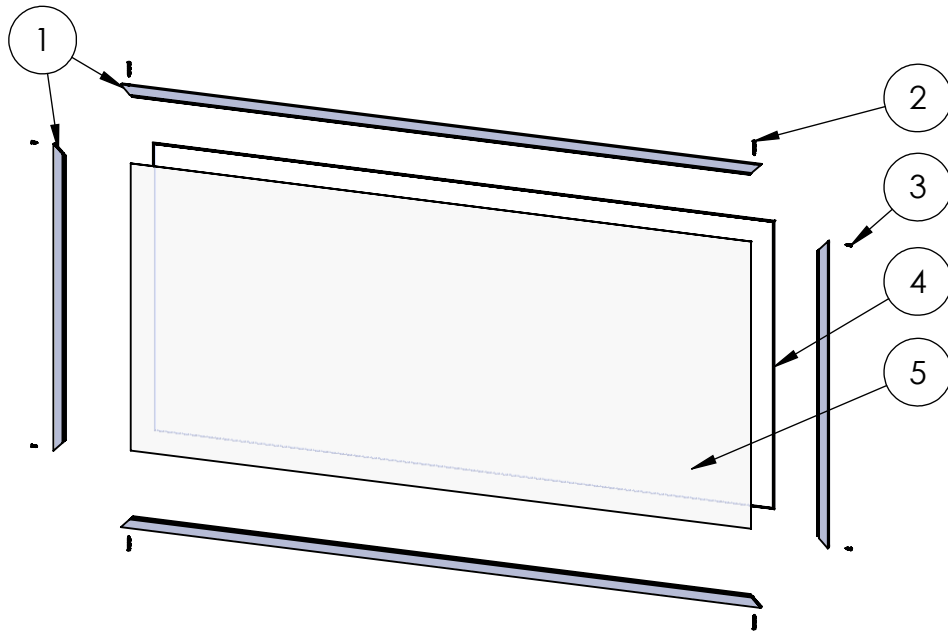


DETAIL A  
 SCALE 1 : 4

**PROPRIETARY AND CONFIDENTIAL**  
 THE INFORMATION CONTAINED IN THIS DRAWING IS THE SOLE PROPERTY OF FLEETWOOD WINDOWS & DOORS.  
 ANY REPRODUCTION IN PART OR AS A WHOLE WITHOUT THE WRITTEN PERMISSION OF FLEETWOOD WINDOWS & DOORS IS PROHIBITED.

Description Panel Assembly	
File Name Series 250-T A Awning Assembly with 4 Bar Hinges and Roto Assembly	REV <b>A</b>
Released 8/18/2020	SHEET 3 OF 5

# ASSEMBLY / PARTS LIST (B.O.M.)



EXTRUSIONS			
ITEM NO.	PART NUMBER	DESCRIPTION	QTY.
1	114	.3125 Screen Frame	4
HARDWARE			
ITEM NO.	PART NUMBER	DESCRIPTION	QTY.
2	25751	#6 FHP-A, 1-1/4", SS, Clear	4
3	25752	#6 FHP-A, 1/2", SS, Clear	4
4	19127	SCREEN RUBBER SPLINE .150	1
5	-	Screen Mesh	1

**PROPRIETARY AND CONFIDENTIAL**

THE INFORMATION CONTAINED IN THIS DRAWING IS THE SOLE PROPERTY OF FLEETWOOD WINDOWS & DOORS.  
 ANY REPRODUCTION IN PART OR AS A WHOLE WITHOUT THE WRITTEN PERMISSION OF FLEETWOOD WINDOWS & DOORS IS PROHIBITED.

Description Flat Screen Assembly	
File Name Series 250-T A Awning Assembly with 4 Bar Hinges and Roto Assembly	REV <b>A</b>
Released 8/18/2020	SHEET 4 OF 5

# ASSEMBLY / PARTS LIST (B.O.M.)

Table A: Operator Option

Material	Size	Color	ID #
Steel	16.75"	Black	18868
		BCN	18871
	27.75"	Black	18876
		BCN	18879
S.S.	16.75"	Black	23304
		BCN	23305
	27.75"	Black	23307
		BCN	23308

Table C: Snubber Option (HVHZ only)

Frame Width	25245 Snubber	20337 Screw
>24"	1	4
>36"	2	8
>48"	3	12
>60"	4	16
>72"	5	20
>84"	6	24
>96"	7	28

Table B: Handle Option

Type	Color	ID #
Folding (PS Roto)	Black	18789
	BCN	18792
Knob (PS Roto)	Black	18748
	BCN	18751

Description	
Tables	
File Name	REV
Series 250-T A Awning Assembly with 4 Bar Hinges and Roto Assembly	<b>A</b>
Released	SHEET 5 OF 5
8/18/2020	