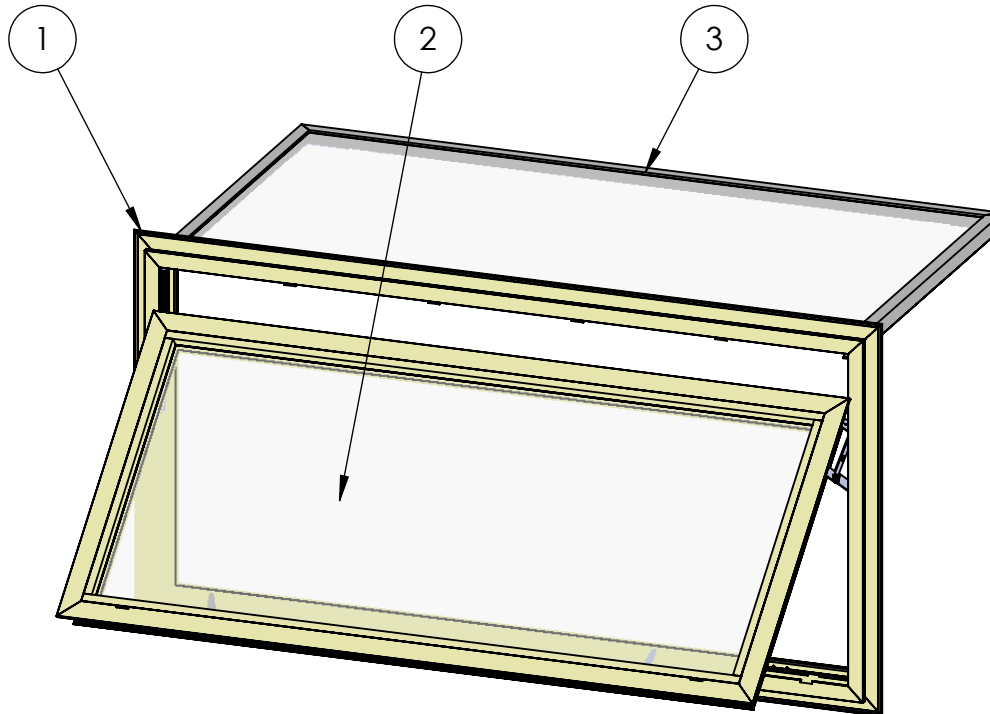


# ASSEMBLY / PARTS LIST (B.O.M.)

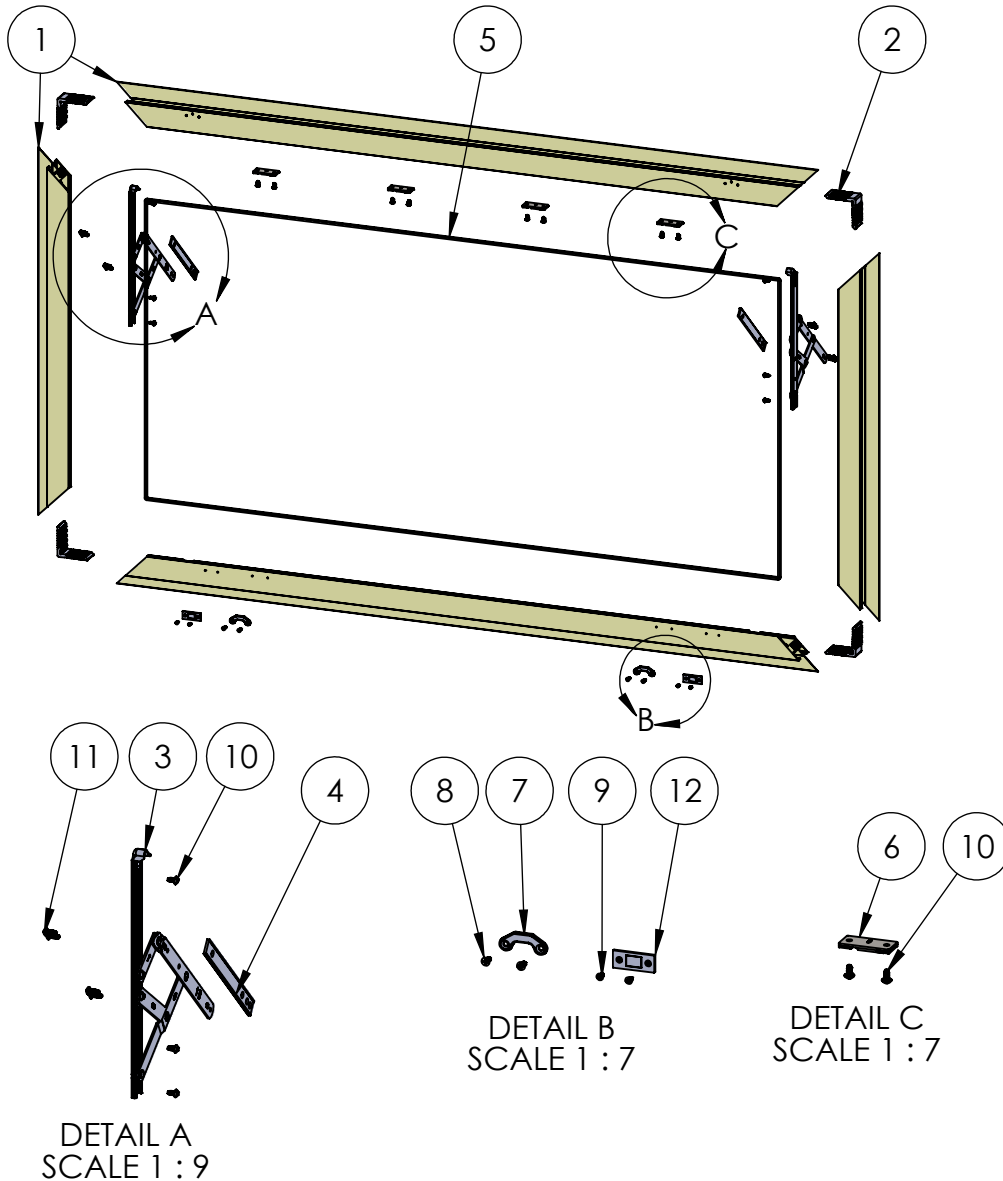
**Series: 250-T**  
**Type: Awning (A) with 4 Bar Hinges and 2 Cam Handles**

ITEM NO.	DESCRIPTION	QTY.	PAGE #
1	FRAME ASSEMBLY	1	2
2	PANEL ASSEMBLY	1	3
3	HINGED SCREEN ASSEMBLY	1	4



Description Table of Contents	
File Name 250-T A Awning Assembly with 4 Bar Hinges and Cam Handles	REV <b>A</b>
Released 8/20/2020	SHEET 1 OF 4

# ASSEMBLY / PARTS LIST (B.O.M.)



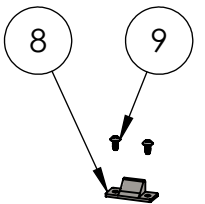
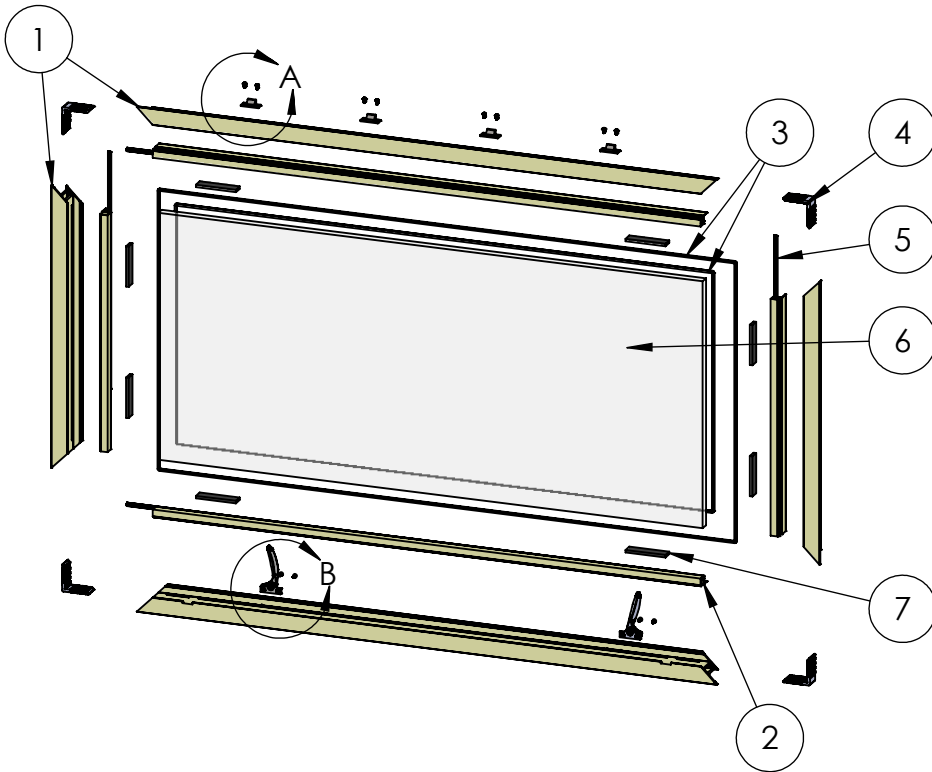
Extrusions			
ITEM NO.	PART NUMBER	DESCRIPTION	QTY.
1	05P88, 05P19	Perimeter - OG (Nail-on, Block)	4
Hardware			
ITEM NO.	PART NUMBER	DESCRIPTION	QTY.
2	20596	Corner Key, Vent	4
3	24932, 22865, 24654, 24655, 18811, 22868	4 Bar Hinge (8", 10", 12", 16", 22")	2
4	26229, 26230, 26231, 26232	4 Bar Shim (10", 12", 16", 22")	2
5	25199	Mini Bulb Vinyl	1
6	See Table A	Snubber, Frame Portion (HVHZ only)	4
7	24983	Cam Strike Plate	2
8	20937, 20268	#8 FHP-B-UC, 3/8", (Clear, Black)	4
9	20901	#6 X 3/8" UC FHSM	4
10	20337	#10 PHP - B, 3/8", SS, Clear	14
11	20338	#10 PHP - B, 1/2", SS, Clear	8
12	25405	Hinge Screen Magnet	2

Table A: Snubber Option (HVHZ only)

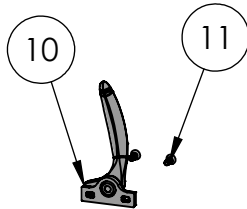
Frame Width	25245 Snubber	20337 Screw
>24"	1	4
>36"	2	8
>48"	3	12
>60"	4	16
>72"	5	20
>84"	6	24
>96"	7	28

Description Frame Assembly	
File Name 250-T A Awning Assembly with 4 Bar Hinges and Cam Handles	REV <b>A</b>
Released 8/20/2020	SHEET 2 OF 4

# ASSEMBLY / PARTS LIST (B.O.M.)



DETAIL A  
SCALE 1 : 7



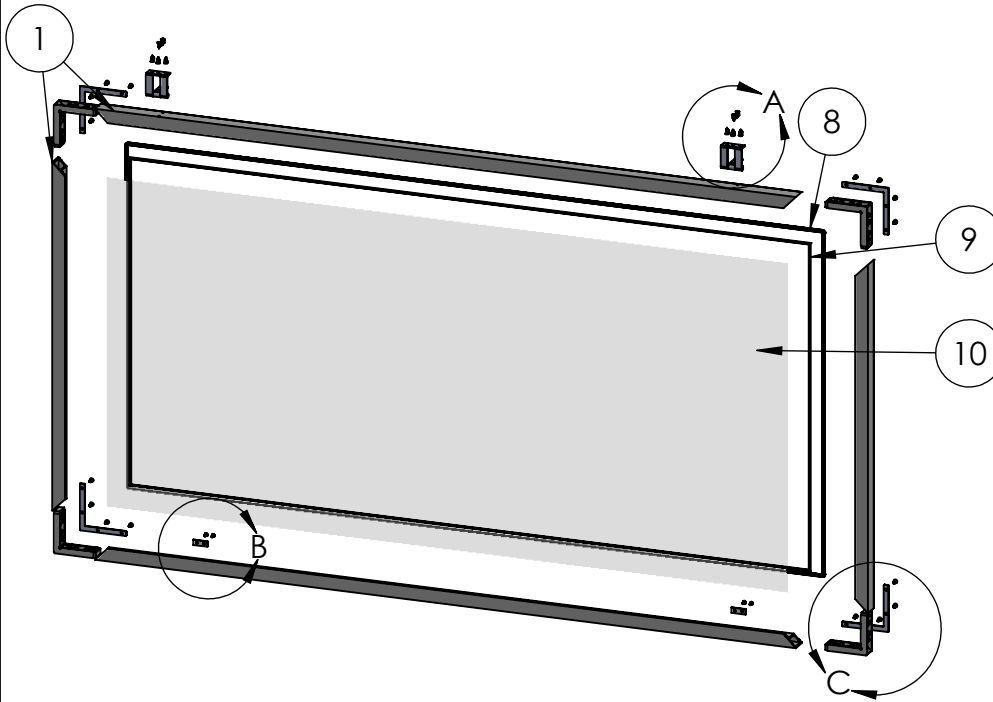
DETAIL B  
SCALE 1 : 7

**PROPRIETARY AND CONFIDENTIAL**  
 THE INFORMATION CONTAINED IN THIS DRAWING IS THE SOLE PROPERTY OF FLEETWOOD WINDOWS & DOORS.  
 ANY REPRODUCTION IN PART OR AS A WHOLE WITHOUT THE WRITTEN PERMISSION OF FLEETWOOD WINDOWS & DOORS IS PROHIBITED.

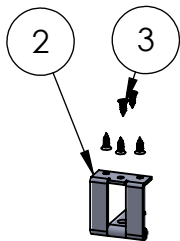
EXTRUSIONS			
ITEM NO.	PART NUMBER	DESCRIPTION	QTY.
1	05P11	Zee Bar	4
2	05P09, 05P12, 05P10, 05P06, 05P05	Glass Stop (1"), (1-1/4"), (1-1/2"), (5/8", 9/16" and 1/2"), (1/4")	4
HARDWARE			
ITEM NO.	PART NUMBER	DESCRIPTION	QTY.
3	25199	Mini Bulb Vinyl	2
4	20596	Corner Key, Vent	4
5	25031	Bulb Vinyl-Large	4
6	-	Glass	1
7	18620	Setting Block 4" x 1/4"x1"	8
8	See Table A	Snubber (HVHZ only)	4
9	20337	#10 PHP - B, 3/8", SS, Clear	8
10	25735, 25740, 25739, 25736, 25737	Cam Handle (PO) (Gray, Black, Stainless Steel), (LH & RH)	2
11	20272	#10 FHP - A - UC, 1/2" SS, Clear	4

Description Panel Assembly	
File Name 250-T A Awning Assembly with 4 Bar Hinges and Cam Handles	REV <b>A</b>
Released 8/20/2020	SHEET 3 OF 4

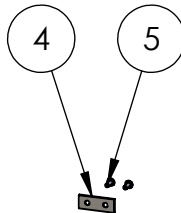
# ASSEMBLY / PARTS LIST (B.O.M.)



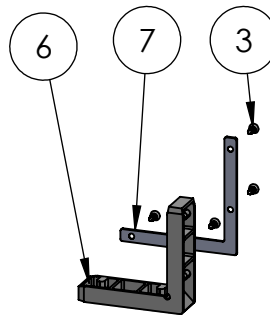
EXTRUSIONS			
ITEM NO.	PART NUMBER	DESCRIPTION	QTY.
1	958	Extruded Hinged Screen Frame (V2)	4
HARDWARE			
ITEM NO.	PART NUMBER	DESCRIPTION	QTY.
2	25216	Screen Hinge V 2, Clear, Black	2
3	20240, 20241	#8 FHP - A - UC, 1/2", SS, Clear, Black	20
4	25406	Hinge Screen Strike w/ Screws	2
5	AD43ABS200	Rivet	4
6	25759	Corner Key	4
7	25400, 25401	Hinge Screen Brace (BL, SS)	4
8	25189	Q-Lon Foam Seal	1
9	19127	Screen Rubber Spline .150	1
10	-	Screen Mesh	1



DETAIL A  
SCALE 1 : 6



DETAIL B  
SCALE 1 : 6



DETAIL C  
SCALE 1 : 6

Description Hinged Screen Assembly	
File Name 250-T A Awning Assembly with 4 Bar Hinges and Cam Handles	REV <b>A</b>
Released 8/20/2020	SHEET 4 OF 4

**PROPRIETARY AND CONFIDENTIAL**  
 THE INFORMATION CONTAINED IN THIS DRAWING IS THE SOLE PROPERTY OF FLEETWOOD WINDOWS & DOORS.  
 ANY REPRODUCTION IN PART OR AS A WHOLE WITHOUT THE WRITTEN PERMISSION OF FLEETWOOD WINDOWS & DOORS IS PROHIBITED.