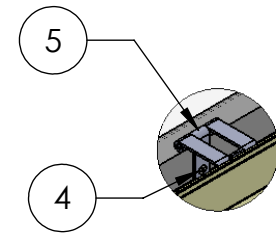
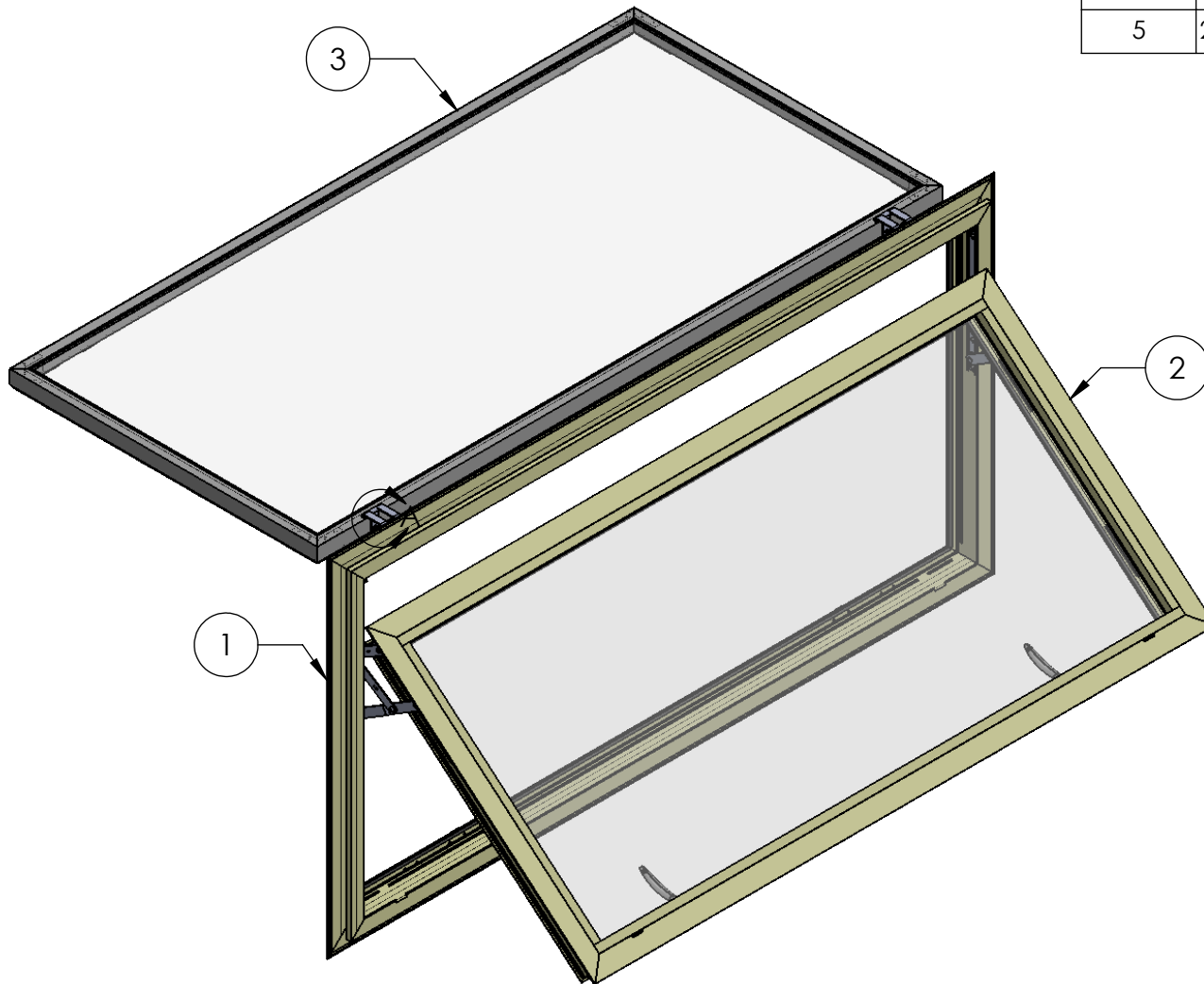


ASSEMBLY / PARTS LIST (B.O.M.)

ITEM NO.	PART NUMBER	DESCRIPTION	QTY.
1	Frame	Frame	1
2	Panel	Panel	1
3	958	Hinge Screen Assembly	1
4	20240	#8 FHP - A - UC, 1/2", SS, Clear	10
5	25216	Screen Hinge V 2	2



DETAIL A

PROPRIETARY AND CONFIDENTIAL

THE INFORMATION CONTAINED IN THIS DRAWING IS THE SOLE PROPERTY OF FLEETWOOD WINDOWS & DOORS.
ANY REPRODUCTION IN PART OR AS A WHOLE WITHOUT THE WRITTEN PERMISSION OF FLEETWOOD WINDOWS & DOORS IS PROHIBITED.

TITLE: 250-T A Awning w/ 4 Bar
& 2 Cam Handles

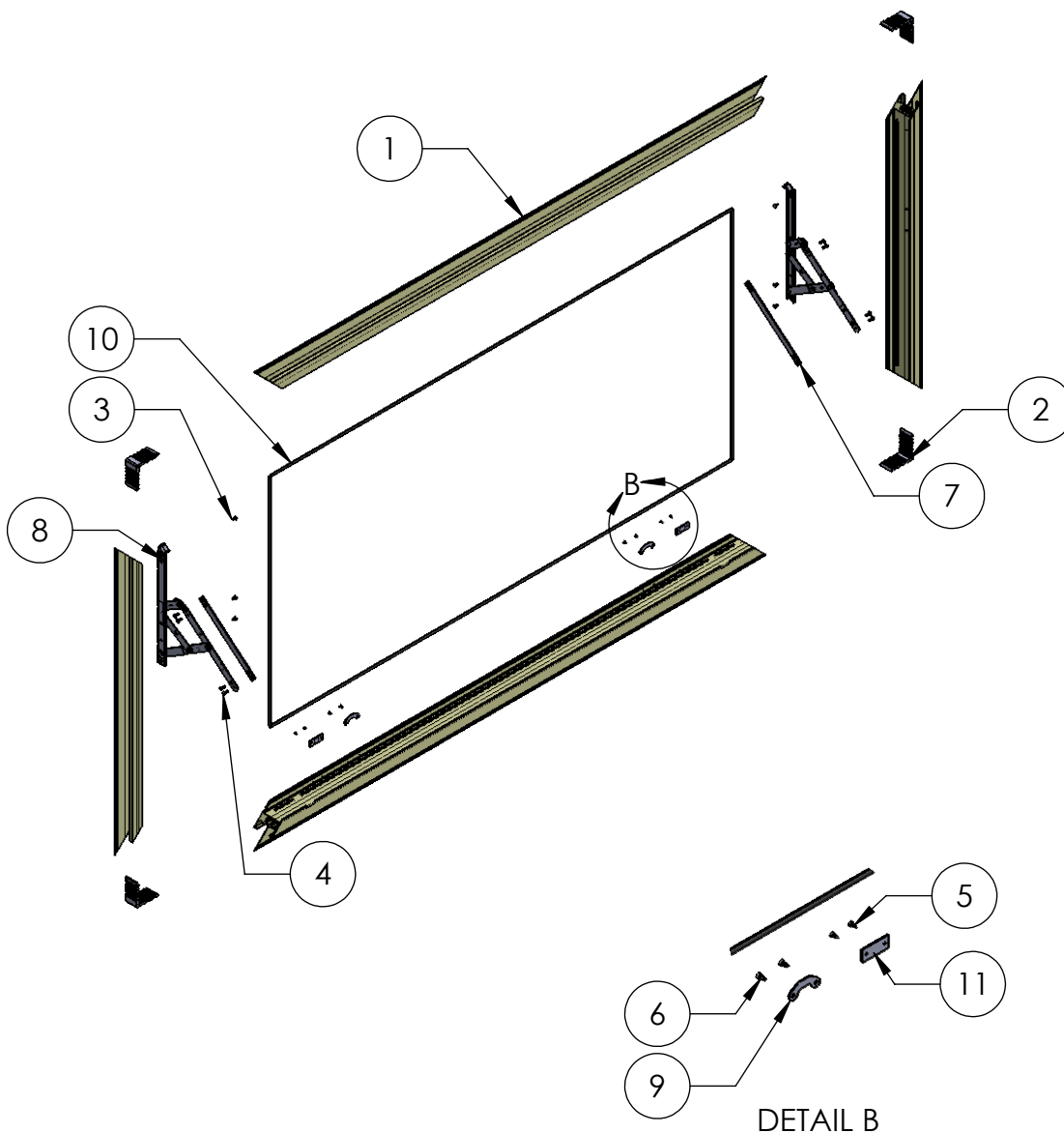
DWG. NO.
250-T Frame-Panel A Awning
with 4 Bar Assembly and 2 Cam
Handles

REV

DATE: 4/6/16

SHEET 1 OF 3

ASSEMBLY / PARTS LIST (B.O.M.)

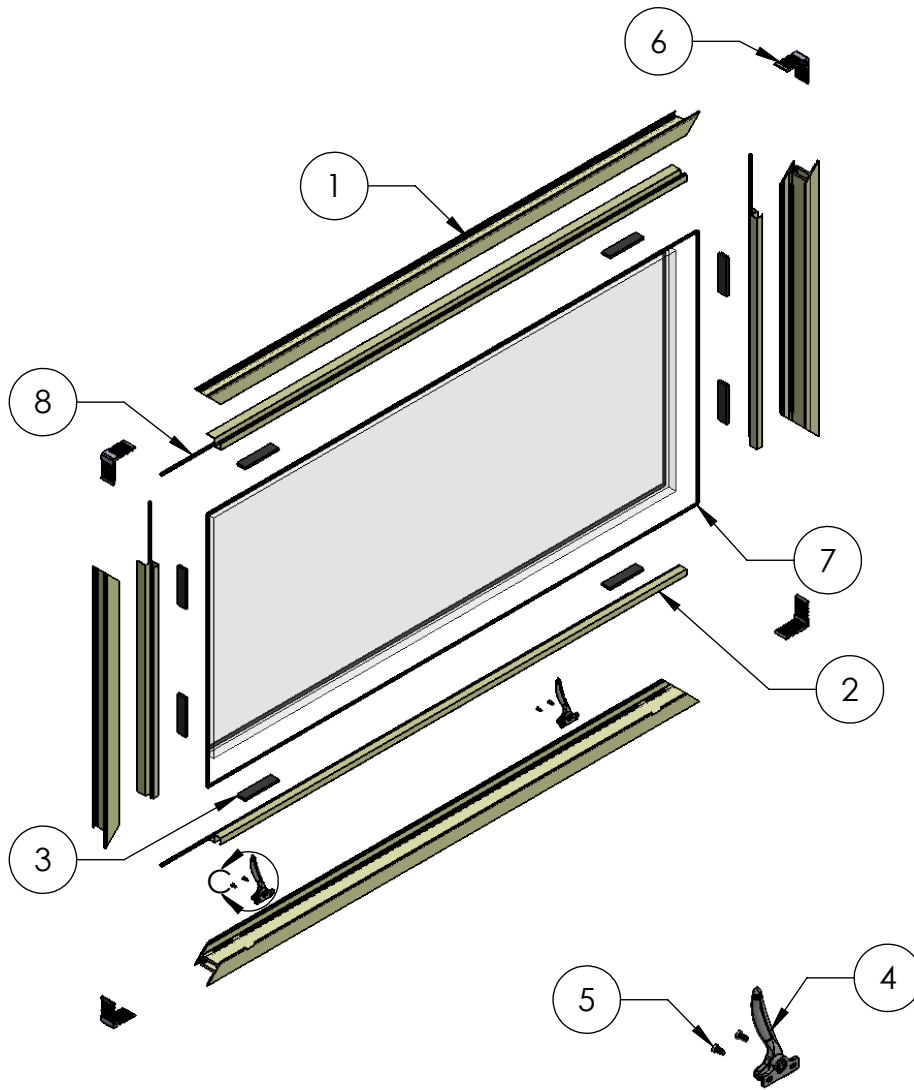


ITEM NO.	PART NUMBER	DESCRIPTION	QTY.
1	05P88, 05P19	Perimeter - OG (Nail-on, Block)	4
2	20596	Corner Key # 05P04,250-T (Frame/Vent); 2000 (Vent)	4
3	20337	#10 PHP - B, 3/8", SS, Clear	6
4	20338	#10 PHP - B, 1/2", SS, Clear	8
5	20901	#6 X 3/8" UC FHSM	4
6	20937, 20268	#8 FHP - B - UC, 3/8", SS, (Clear, Black)	4
7	23368, 23369, 23370	4 Bar Shim 8", 11", 14"	2
8	24932, 22865, 24654, 24655, 22868	4 Bar Hinge (8", 10", 12", 16", 22")	1
9	24983	Cam Strike Plate	2
10	25199	Mini Bulb Vinyl	1
11	25405	Hinge Screen Magnet	2

TITLE: 250-T Frame A Awning w/ 4 Bar & 2 Cam Handles	
DWG. NO. 250-T Frame-Panel A Awning with 4 Bar Assembly and 2 Cam Handles	REV
DATE: 4/6/16	SHEET 2 OF 3

PROPRIETARY AND CONFIDENTIAL
THE INFORMATION CONTAINED IN THIS DRAWING IS THE SOLE PROPERTY OF FLEETWOOD WINDOWS & DOORS.
ANY REPRODUCTION IN PART OR AS A WHOLE WITHOUT THE WRITTEN PERMISSION OF FLEETWOOD WINDOWS & DOORS IS PROHIBITED.

ASSEMBLY / PARTS LIST (B.O.M.)



DETAIL C

ITEM NO.	PART NUMBER	DESCRIPTION	QTY.
1	05P11	Zee Bar	4
2	05P09, 05P12, 05P10, 05P06, 05P05	Glass Stop (1"), (1-1/4"), (1-1/2"), (5/8", 9/16" and 1/2"), (1/4")	4
3	18620	Setting Block 4" x 1/4"x1"	8
4	18735, 18733, 18736 & 18731, 18729, 18732	Cam Handle (PO) (Gray, Black, Stainless Steel), (LH & RH)	2
5	20272	#10 FHP - A - UC, 1/2" SS, Clear	4
6	20596	Corner Key # 05P04,250-T (Frame/Vent); 2000 (Vent)	4
7	25199	Mini Bulb Vinyl	2
8	25031	Bulb Vinyl-Large	4
9	-	Glass	1

PROPRIETARY AND CONFIDENTIAL

THE INFORMATION CONTAINED IN THIS DRAWING IS THE SOLE PROPERTY OF FLEETWOOD WINDOWS & DOORS. ANY REPRODUCTION IN PART OR AS A WHOLE WITHOUT THE WRITTEN PERMISSION OF FLEETWOOD WINDOWS & DOORS IS PROHIBITED.

TITLE: 250-T Panel A Awning w/ 4 Bar & 2 Cam Handles

DWG. NO. 250-T Frame-Panel A Awning with 4 Bar Assembly and 2 Cam Handles REV

DATE: 4/6/16 SHEET 3 OF 3