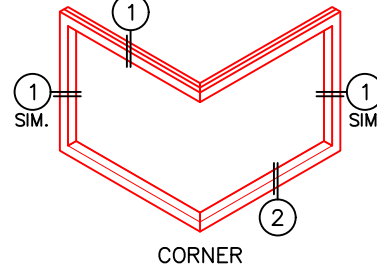
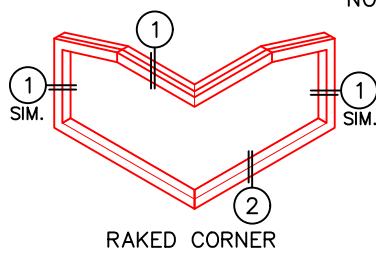
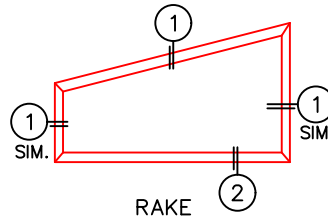
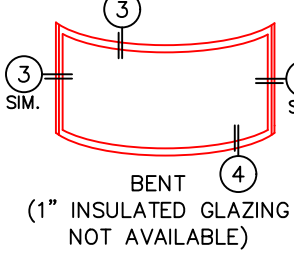
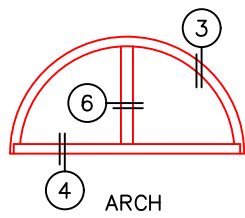
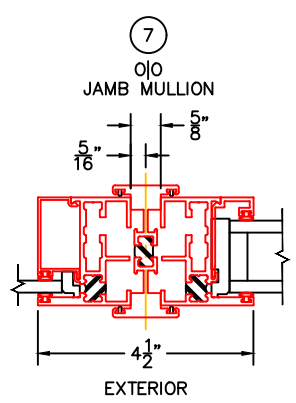
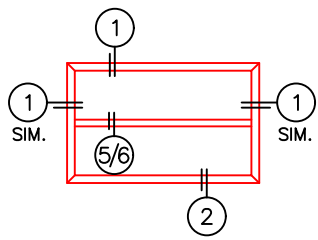
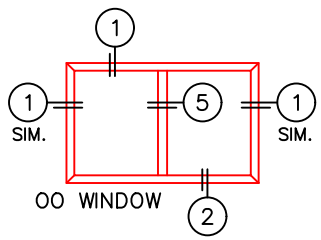
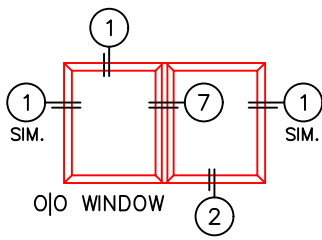
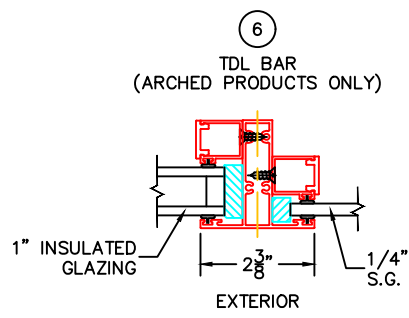
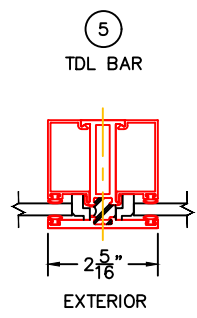
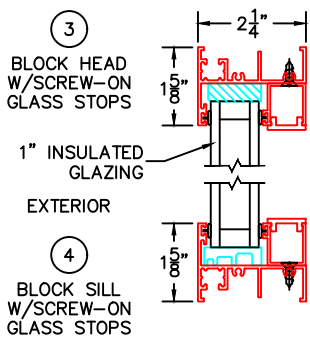
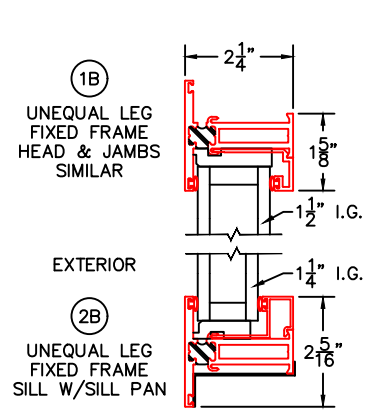
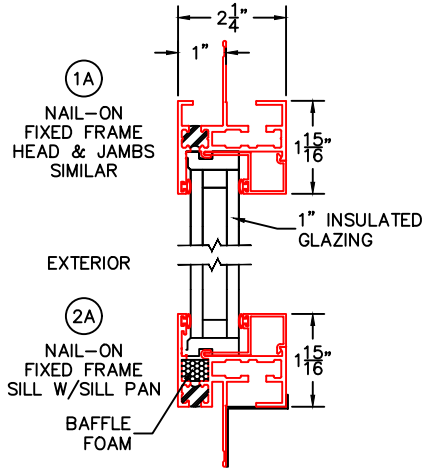
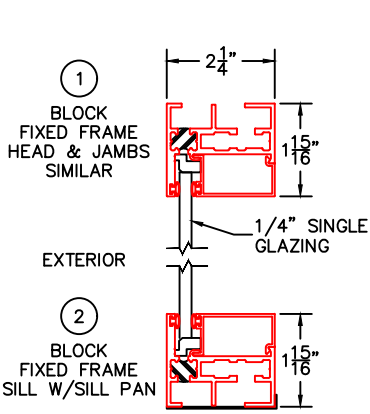


(USE RULER TO SCALE DIMENSIONS IN INCHES)

SCALE: 1/4"

INSIDE GLAZED FIXED AND SPECIAL GEOMETRY DETAILS  
 RAKED & CORNERED WINDOWS: 1/4", 1", 1-1/4", 1-1/2"  
 ARCHED & BENT WINDOWS: 1/4", 1"



-GLASS PENETRATION = 1/2"  
 -EXTERIOR RATED PRODUCTS HAVE WEEP SLOTS ON HORIZONTAL SILLS.

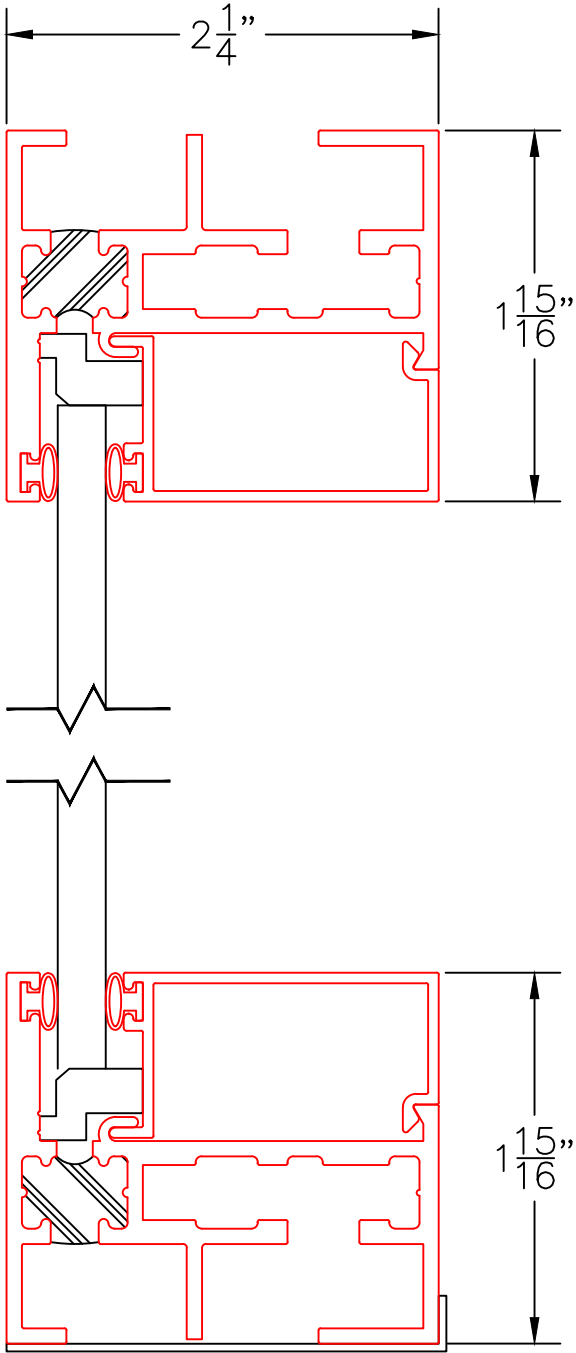
0 0.5 1  
(USE RULER TO SCALE DIMENSIONS IN INCHES)  
**SCALE: FULL**

INSIDE GLAZED FIXED UNIT DETAIL  
1/4" SINGLE GLAZING SHOWN

①  
BLOCK  
FIXED FRAME  
HEAD & JAMBS  
SIMILAR

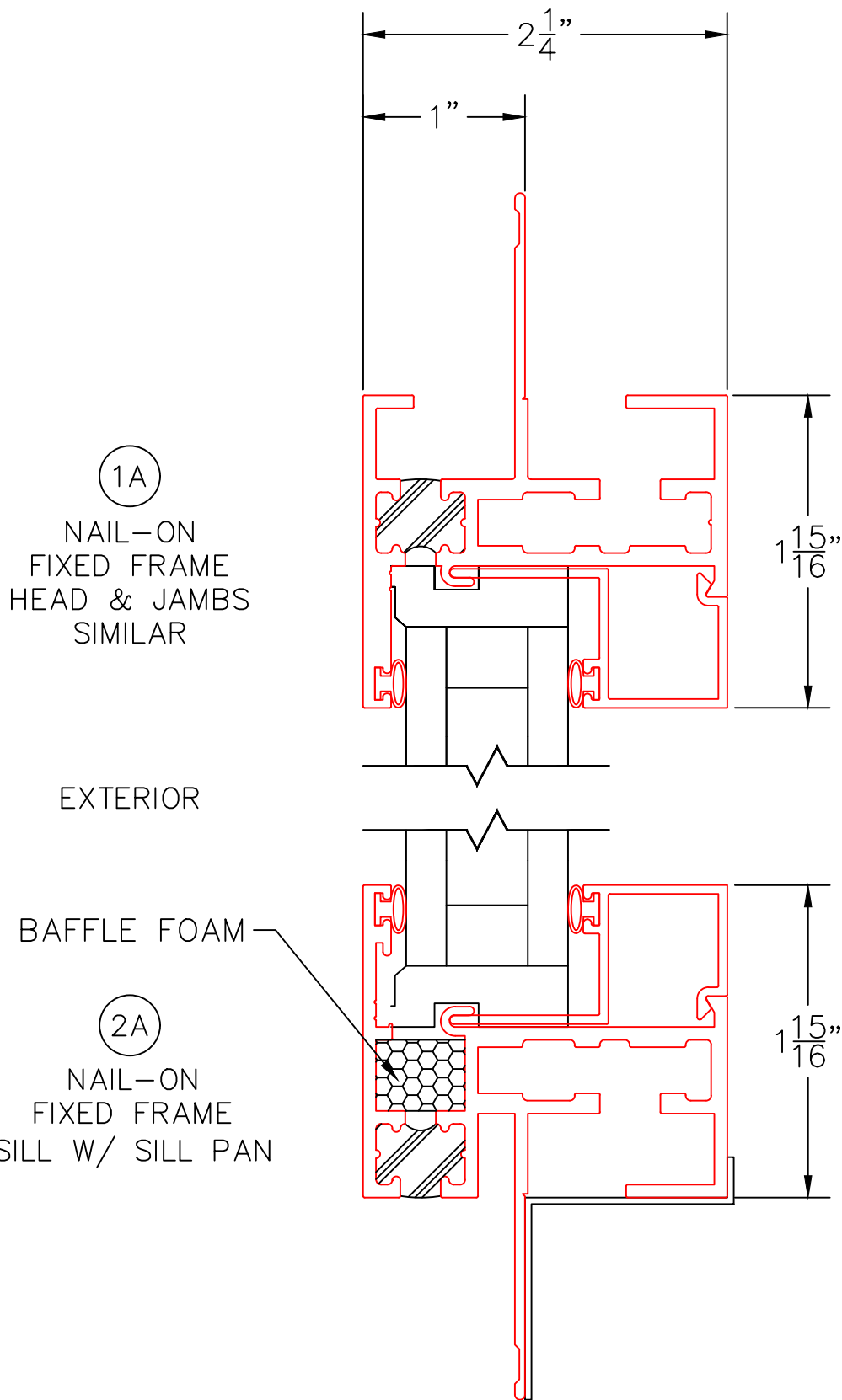
EXTERIOR

②  
BLOCK  
FIXED FRAME  
SILL W/ SILL PAN



0 0.5 1  
(USE RULER TO SCALE DIMENSIONS IN INCHES)  
**SCALE: FULL**

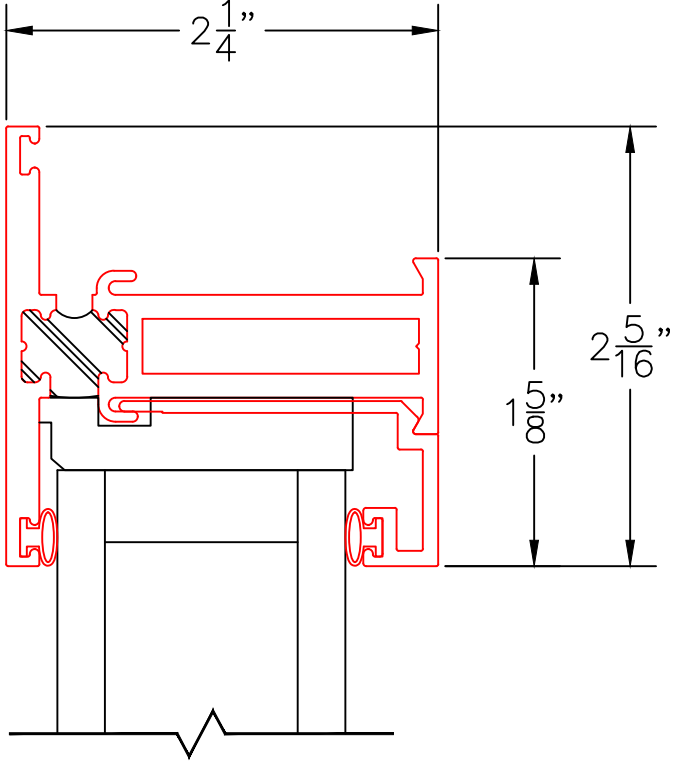
INSIDE GLAZED FIXED UNIT DETAIL  
1" INSULATED GLAZING SHOWN



0 0.5 1  
(USE RULER TO SCALE DIMENSIONS IN INCHES)  
**SCALE: FULL**

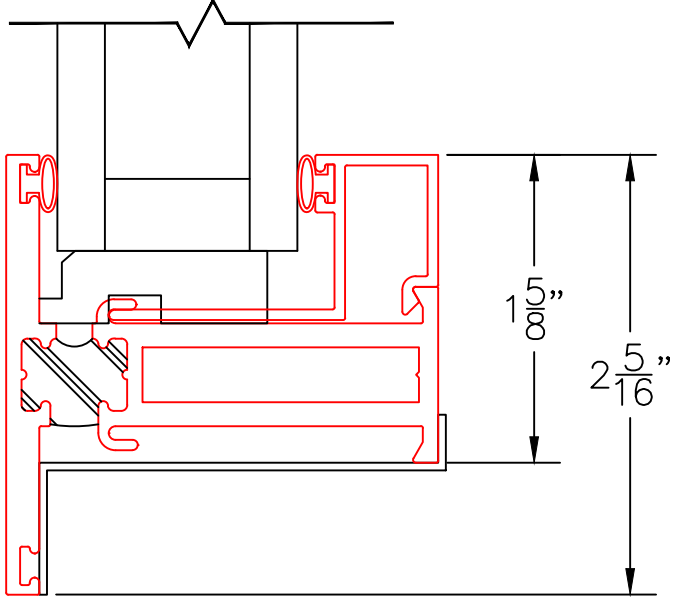
INSIDE GLAZED FIXED UNIT DETAIL  
1-1/4" & 1-1/2" INSULATED  
GLAZING SHOWN

(1B)  
UNEQUAL LEG  
FIXED FRAME  
HEAD & JAMBS  
SIMILAR



EXTERIOR

(2B)  
UNEQUAL LEG  
FIXED FRAME  
SILL W/ SILL PAN



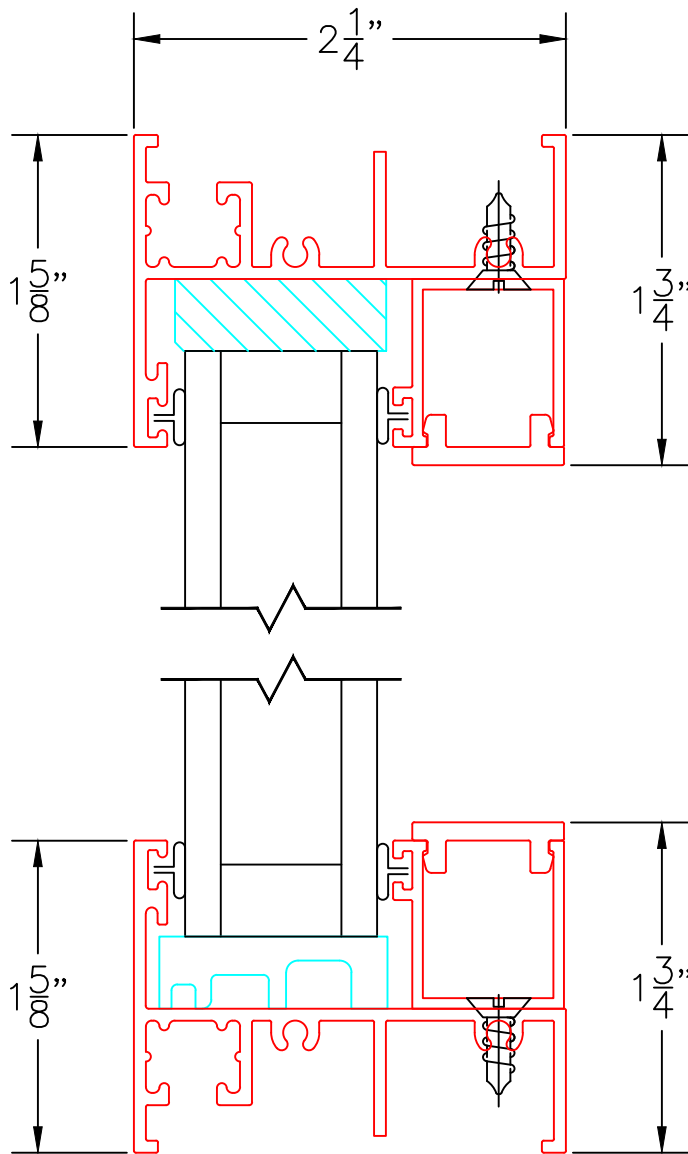
0 0.5 1  
(USE RULER TO SCALE DIMENSIONS IN INCHES)  
**SCALE: FULL**

INSIDE GLAZED ARCHED & BENT DETAIL  
1" INSULATED GLAZING SHOWN

3  
BLOCK HEAD  
W/SCREW-ON  
GLASS STOPS

EXTERIOR

4  
BLOCK SILL  
W/SCREW-ON  
GLASS STOPS

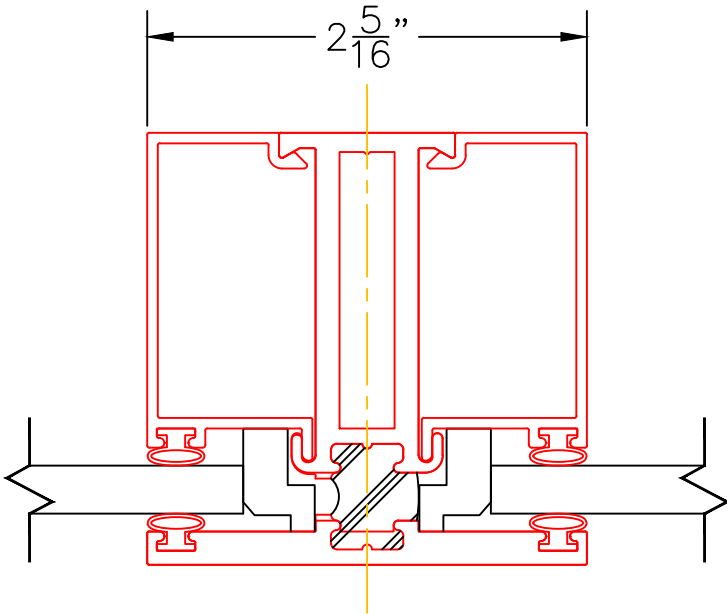


0 0.5 1  
(USE RULER TO SCALE DIMENSIONS IN INCHES)  
**SCALE: FULL**

INSIDE GLAZED FIXED UNIT DETAIL  
1/4" SINGLE GLAZING SHOWN

5

00  
TDL BAR



EXTERIOR

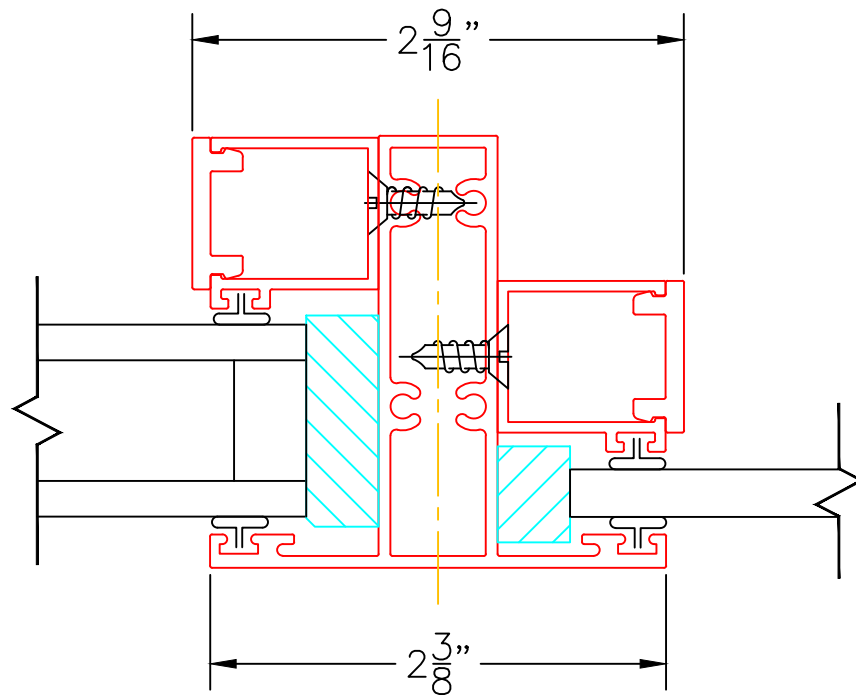
0 0.5 1  
(USE RULER TO SCALE DIMENSIONS IN INCHES)  
**SCALE: FULL**

INSIDE GLAZED FIXED UNIT DETAIL  
1/4" AND 1" GLAZING SHOWN

6

00  
TDL BAR

(ARCHED PRODUCTS ONLY)



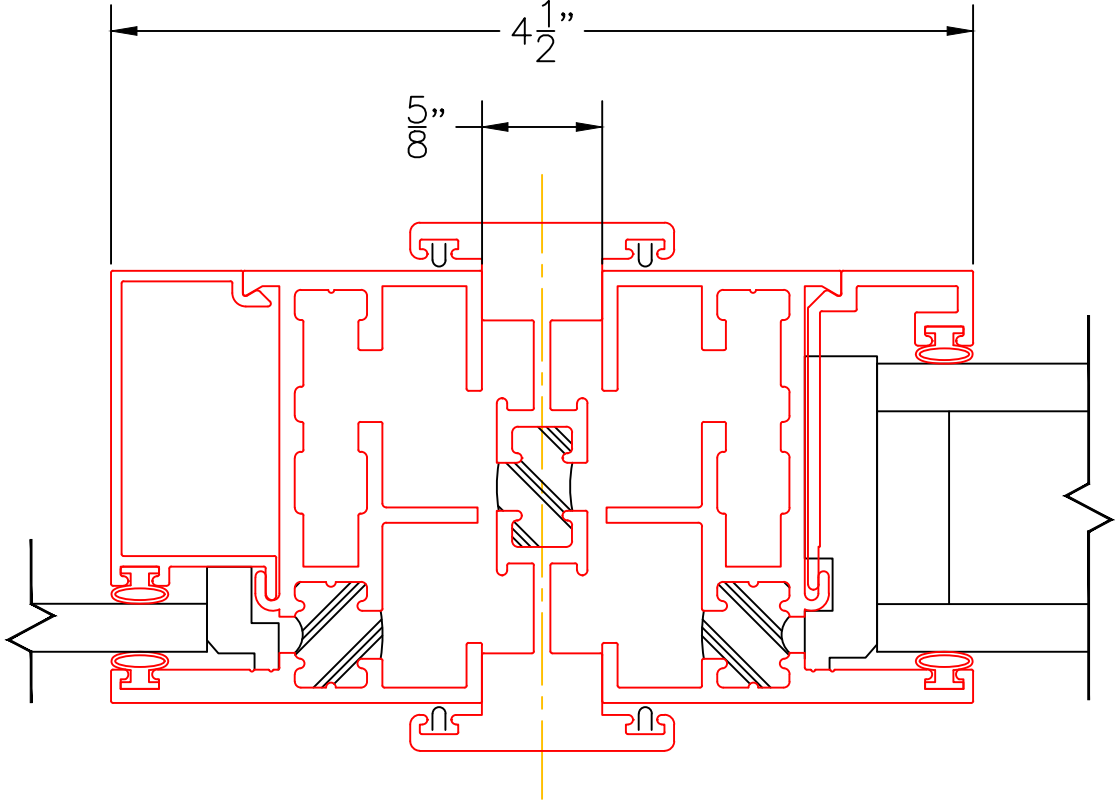
EXTERIOR

0 0.5 1  
(USE RULER TO SCALE DIMENSIONS IN INCHES)  
SCALE: FULL

INSIDE GLAZED FIXED UNIT DETAIL  
1/4" & 1-1/2" GLAZING SHOWN

7

OIO  
JAMB MULLION



EXTERIOR