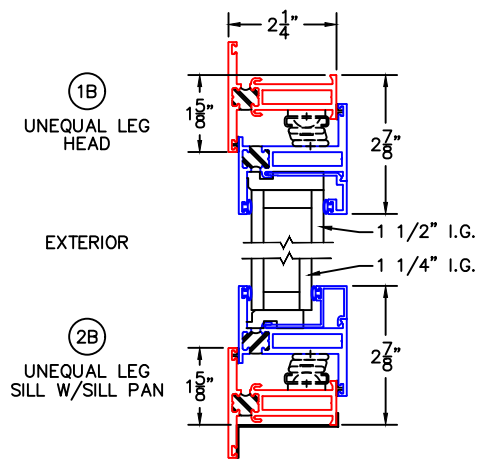
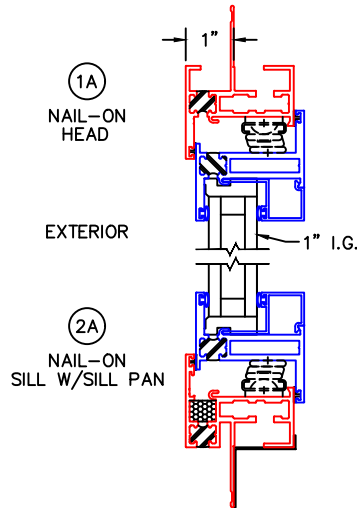
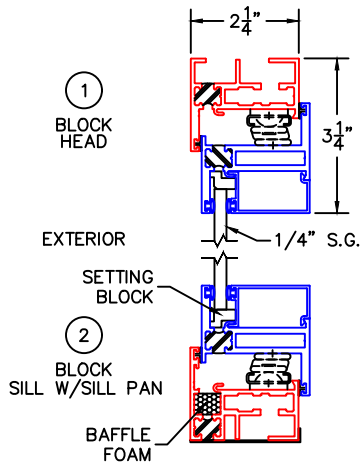


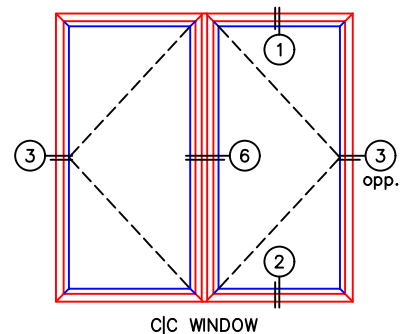
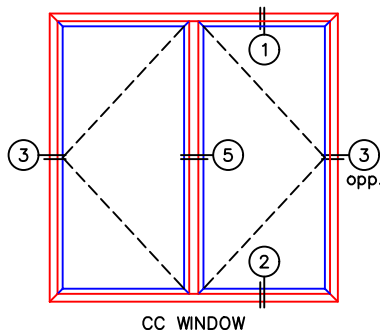
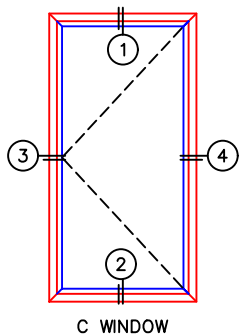
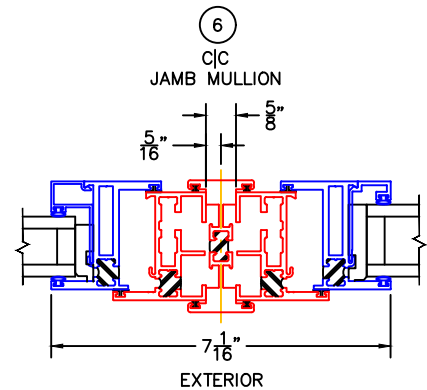
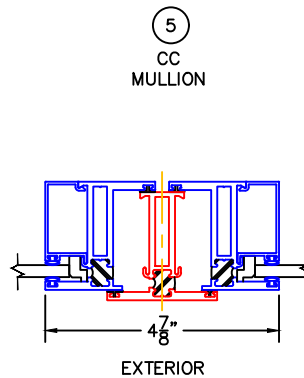
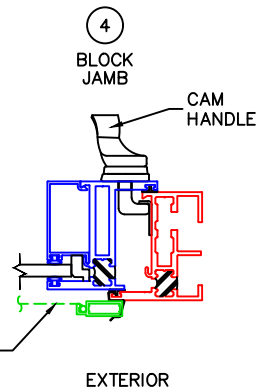
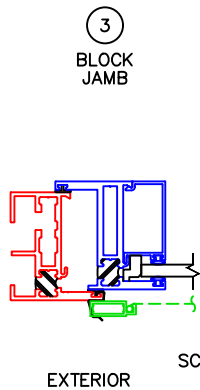
(USE RULER TO SCALE DIMENSIONS IN INCHES)

SCALE: 1/4"

IN-SWING CASEMENT WINDOW DETAILS
1/4" SINGLE GLAZING, 1", 1-1/4" & 1-1/2"
INSULATED GLAZING SHOWN



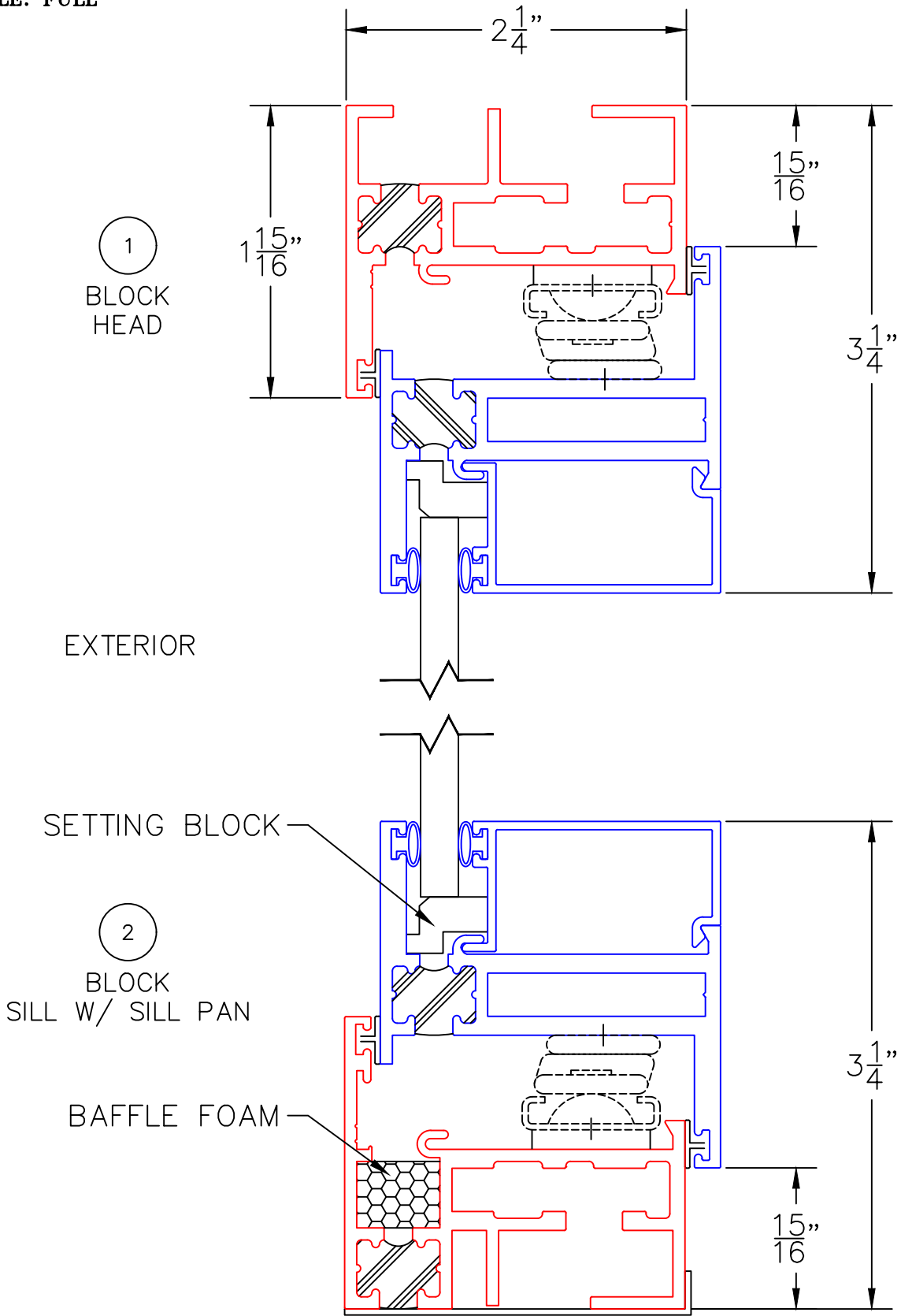
HARDWARE
CAM HANDLE WITH
FLAT SCREEN

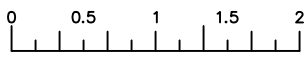


-GLASS PENETRATION: 1/2"
-EXTERIOR RATED PRODUCTS HAVE WEEP SLOTS ON HORIZONTAL SILLS.

0 0.5 1
(USE RULER TO SCALE DIMENSIONS IN INCHES)
SCALE: FULL

IN-SWING CASEMENT WINDOW DETAILS
1/4" SINGLE GLAZING SHOWN





(USE RULER TO SCALE DIMENSIONS IN INCHES)

SCALE: 3/4

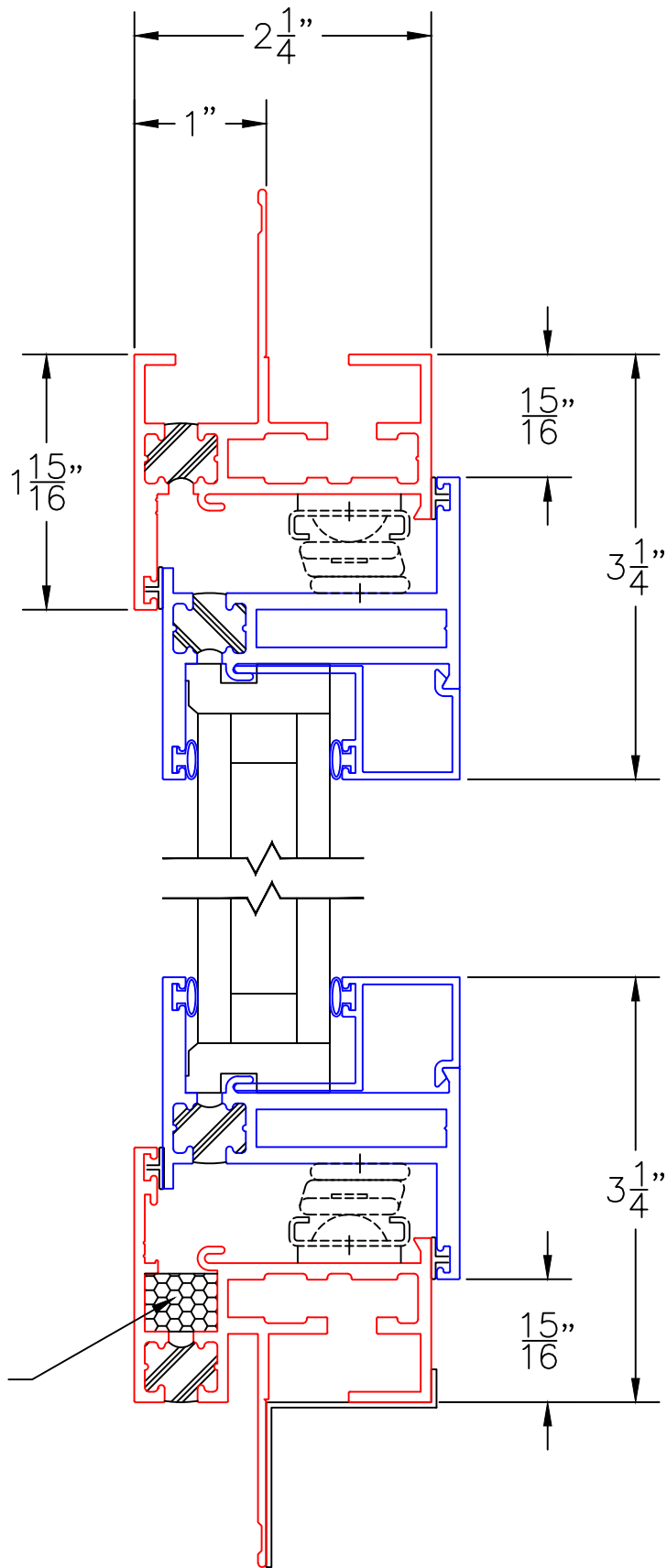
IN-SWING CASEMENT WINDOW DETAILS
1" INSULATED GLAZING SHOWN

1A
NAIL-ON
HEAD

EXTERIOR

2A
NAIL-ON
SILL W/ SILL PAN

BAFFLE FOAM



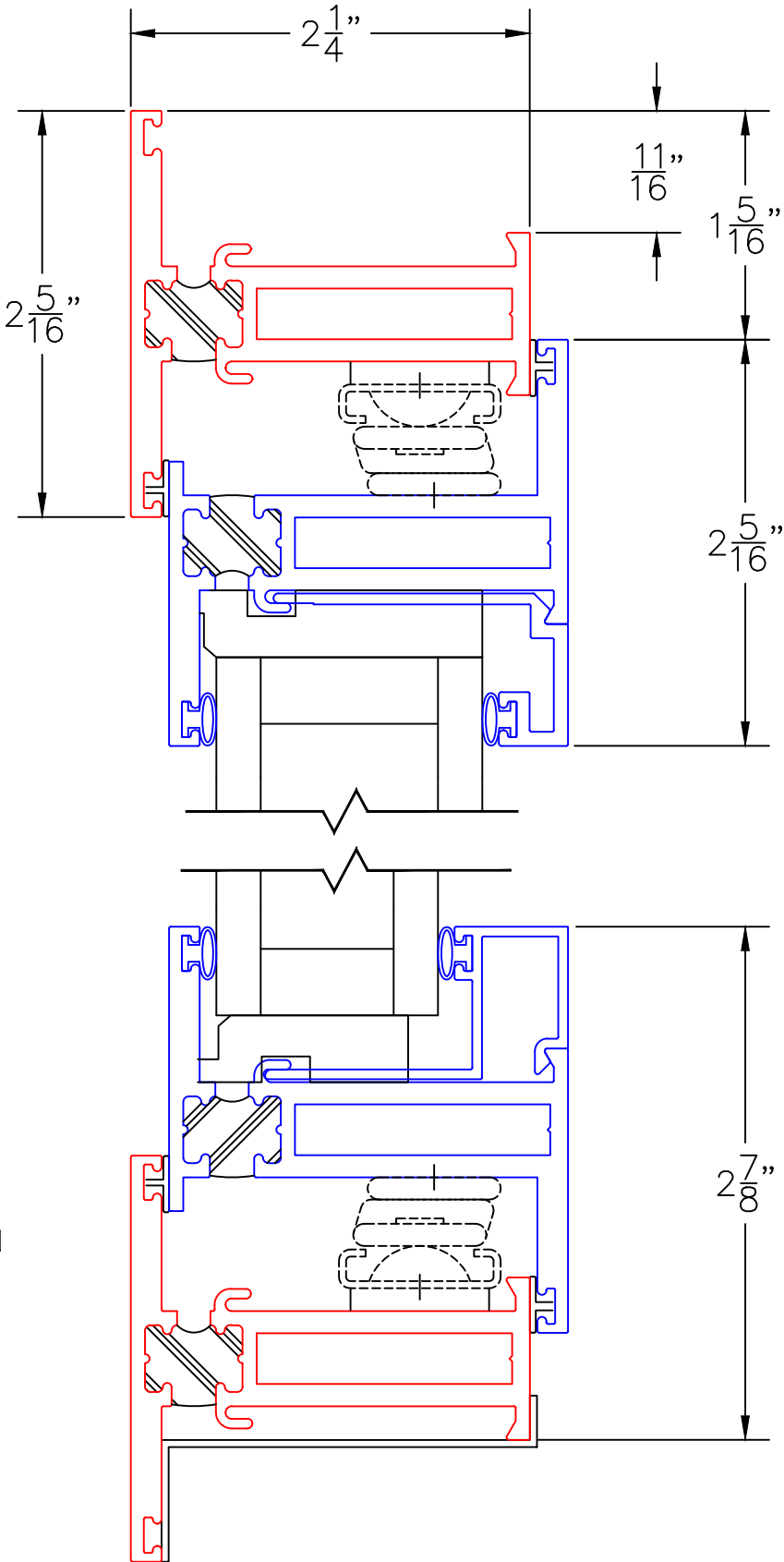
0 0.5 1
(USE RULER TO SCALE DIMENSIONS IN INCHES)
SCALE: FULL

IN-SWING CASEMENT WINDOW DETAILS
1-1/4" & 1-1/2" I.G. SHOWN

1B
UNEQUAL LEG
HEAD

EXTERIOR

2B
UNEQUAL LEG
SILL W/ SILL PAN



0 0.5 1
(USE RULER TO SCALE DIMENSIONS IN INCHES)
SCALE: FULL

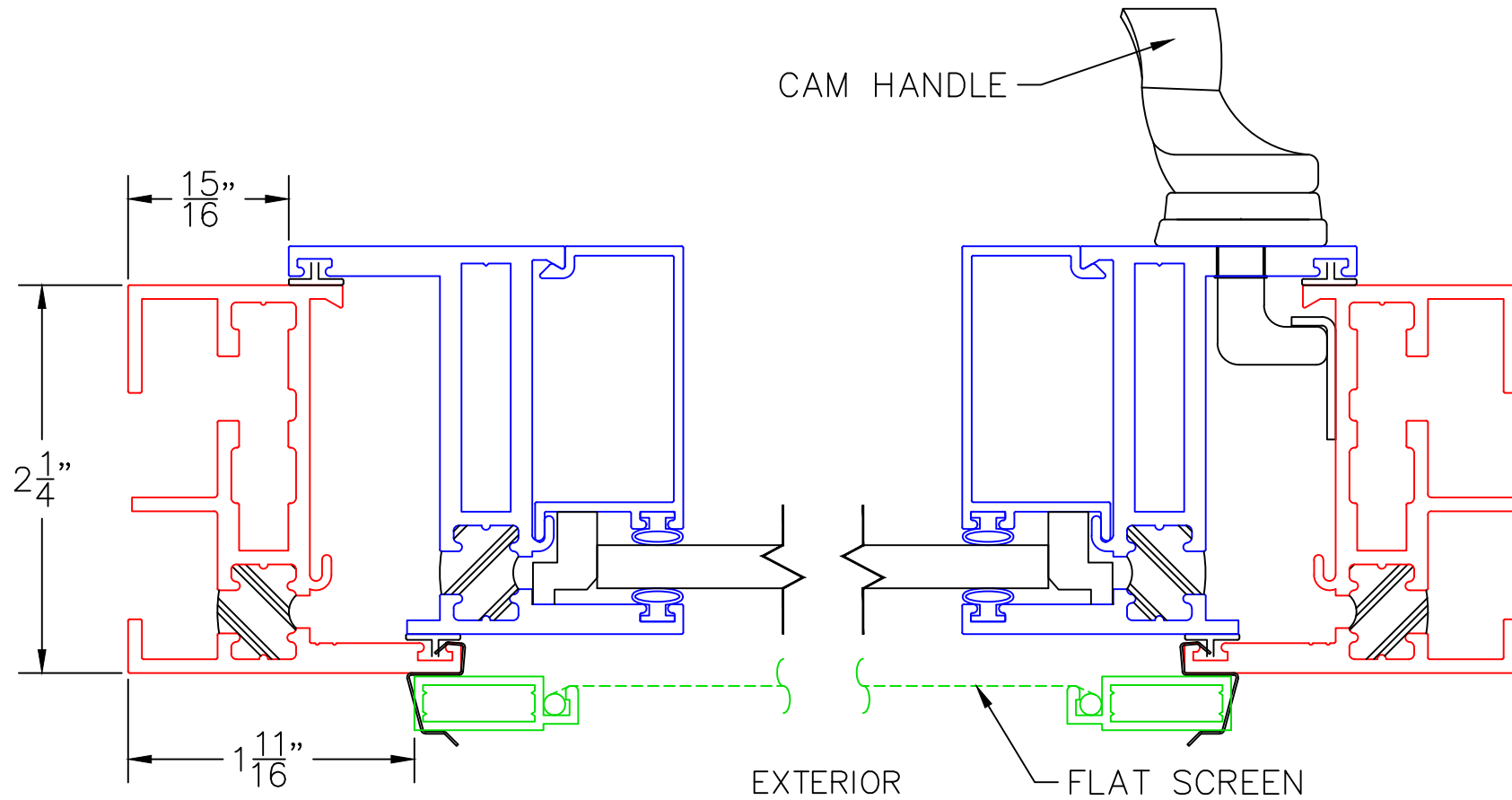
IN-SWING CASEMENT WINDOW DETAILS 1/4" SINGLE GLAZING SHOWN

3

BLOCK JAMB

4

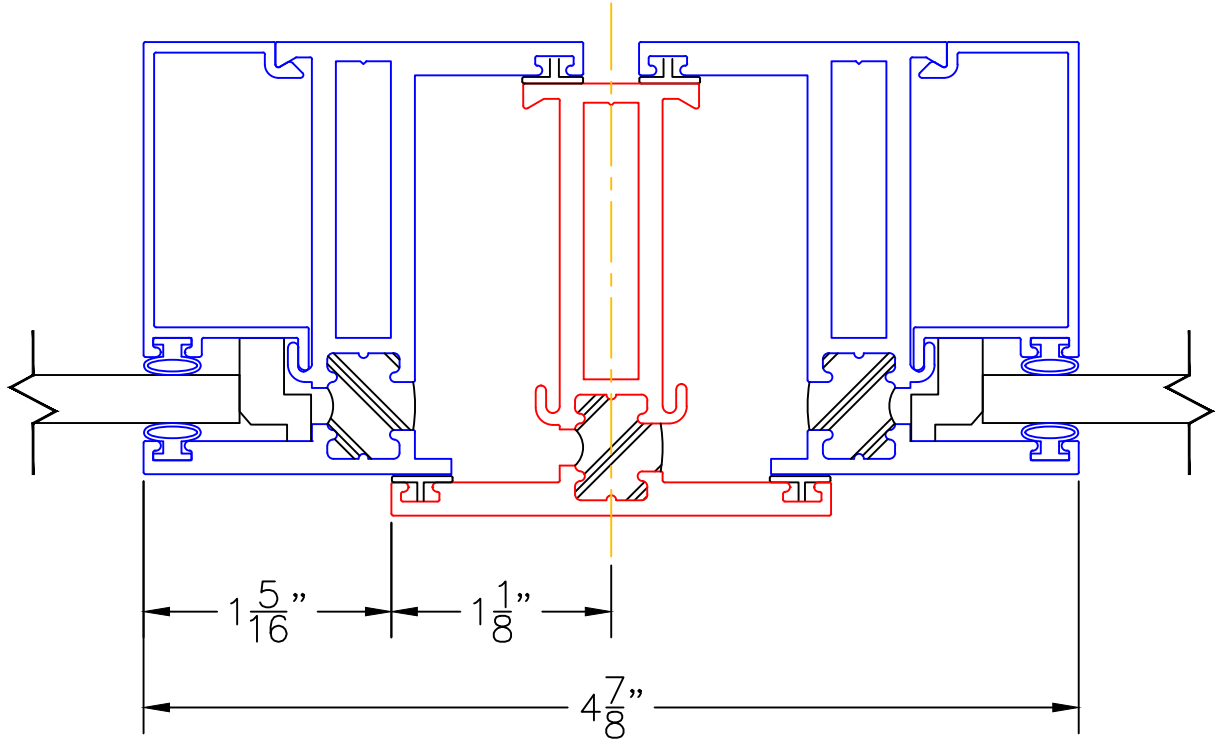
BLOCK JAMB



0 0.5 1
(USE RULER TO SCALE DIMENSIONS IN INCHES)
SCALE: FULL

IN-SWING CASEMENT WINDOW DETAILS
1/4" SINGLE GLAZING SHOWN

5
CC
MULLION

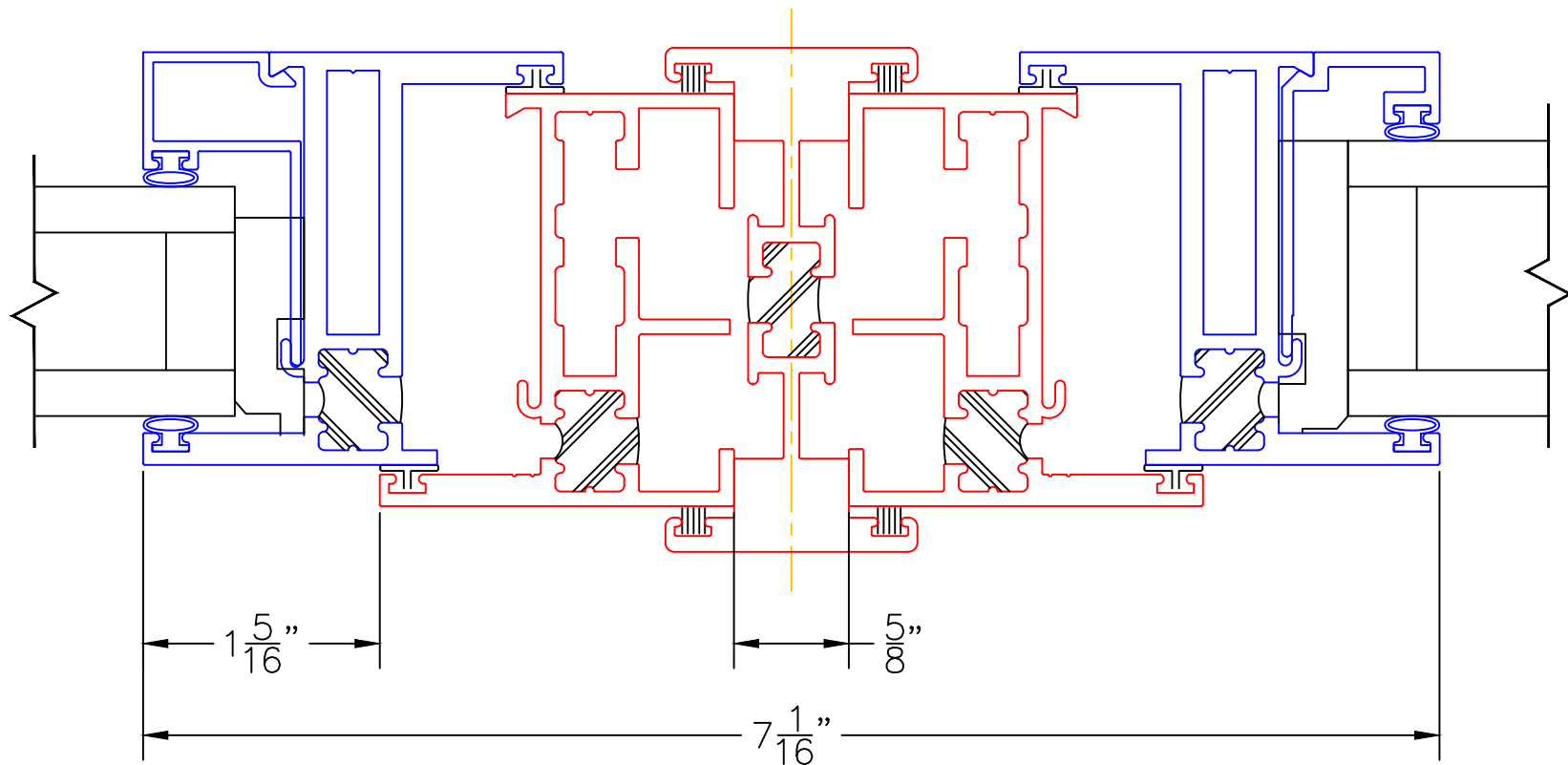


EXTERIOR

0 0.5 1
(USE RULER TO SCALE DIMENSIONS IN INCHES)
SCALE: FULL

IN-SWING CASEMENT WINDOW DETAILS 1-1/4" & 1-1/2" INSULATED GLAZING SHOWN

6
C/C
JAMB MULLION



EXTERIOR