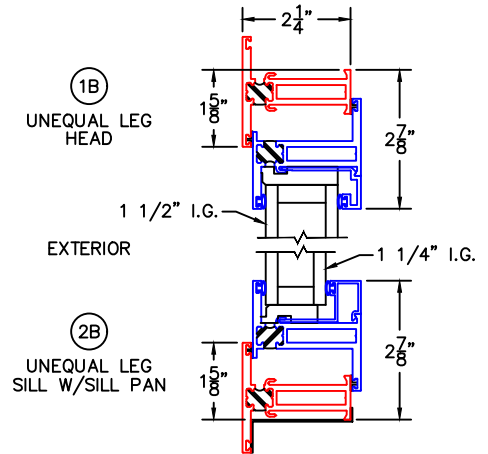
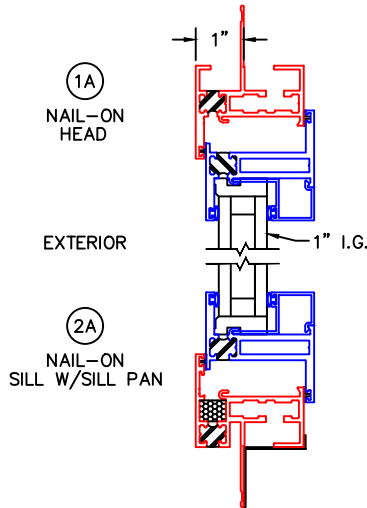
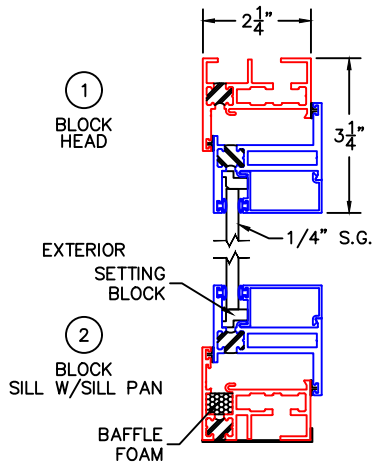


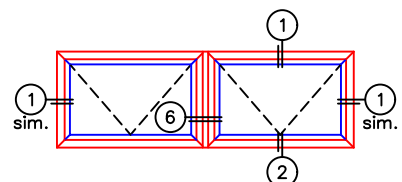
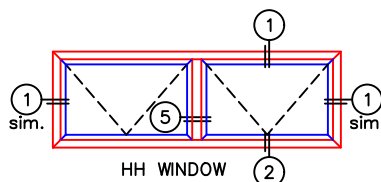
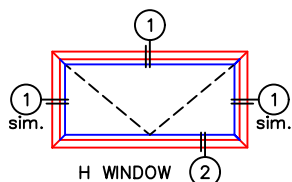
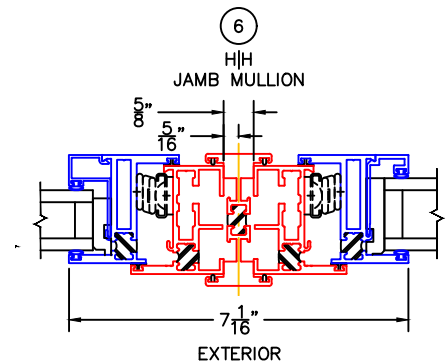
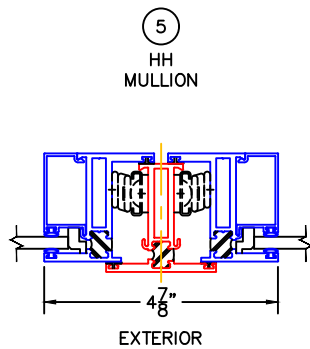
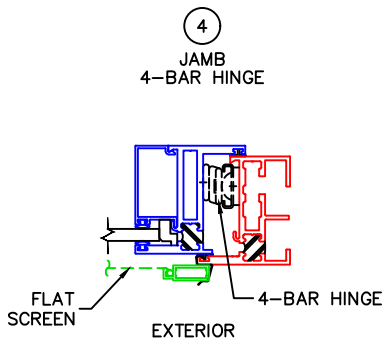
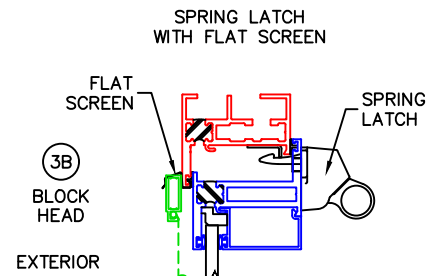
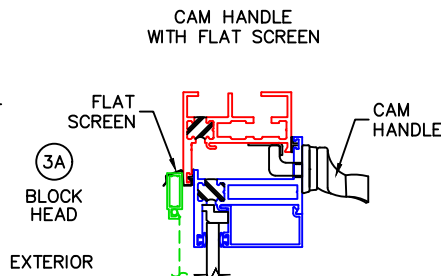
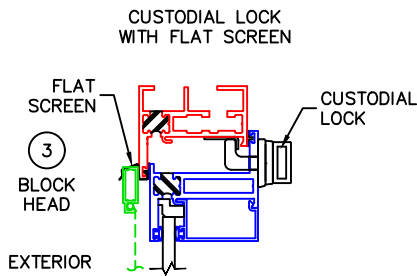
(USE RULER TO SCALE DIMENSIONS IN INCHES)

SCALE: 1/4

HOPPER WINDOW DETAILS
1/4", 1", 1-1/4" & 1-1/2"
INSIDE GLAZING SHOWN



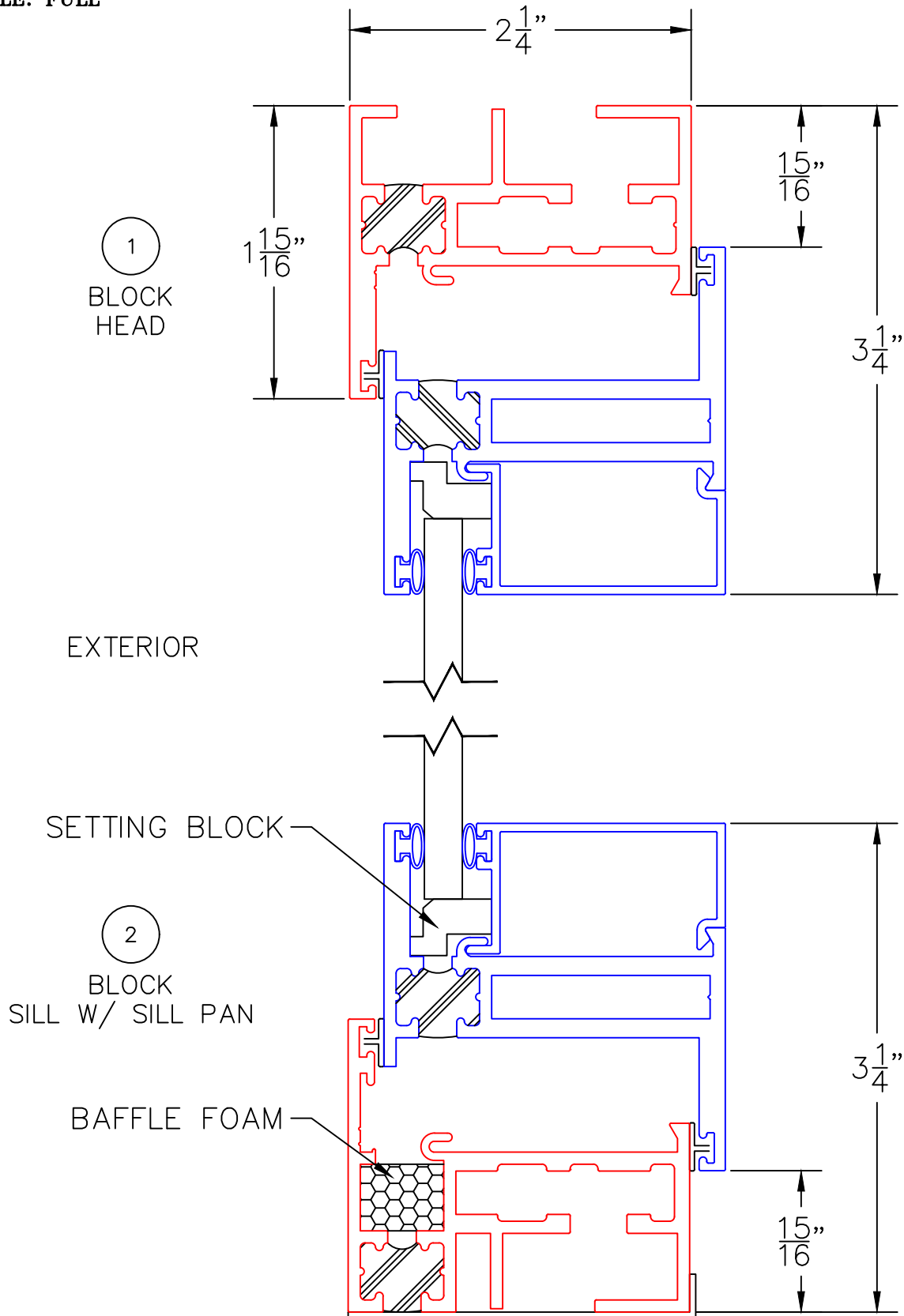
HARDWARE OPTIONS

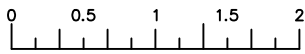


-GLASS PENETRATION: 1/2"
-EXTERIOR RATED PRODUCTS HAVE WEEP SLOTS ON HORIZONTAL SILLS.

0 0.5 1
(USE RULER TO SCALE DIMENSIONS IN INCHES)
SCALE: FULL

HOPPER WINDOW DETAILS
1/4" SINGLE GLAZING SHOWN





(USE RULER TO SCALE DIMENSIONS IN INCHES)

SCALE: 3/4

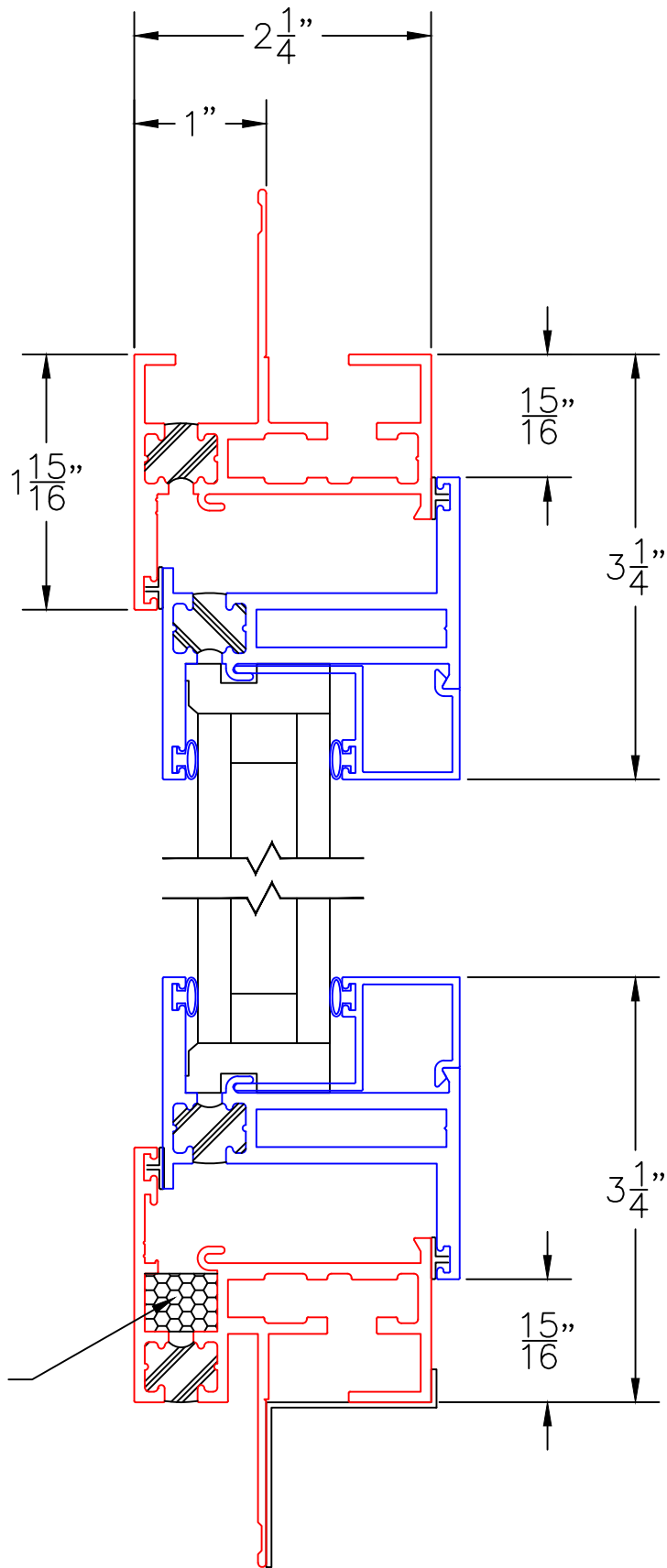
HOPPER WINDOW DETAILS
1" INSULATED GLAZING SHOWN

1A
NAIL-ON
HEAD

EXTERIOR

2A
NAIL-ON
SILL W/ SILL PAN

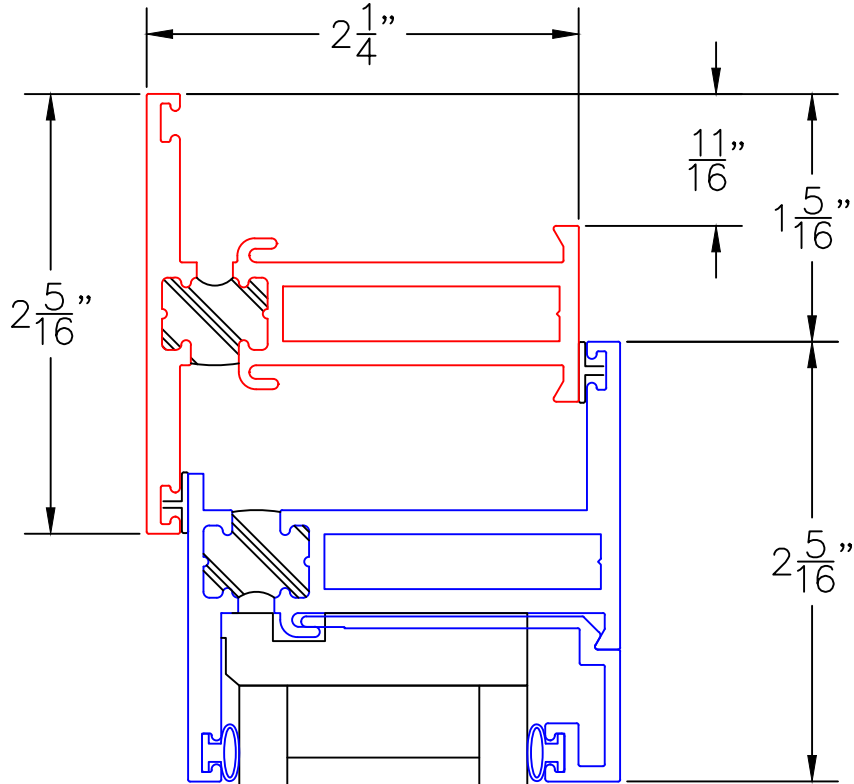
BAFFLE FOAM



0 0.5 1
(USE RULER TO SCALE DIMENSIONS IN INCHES)
SCALE: FULL

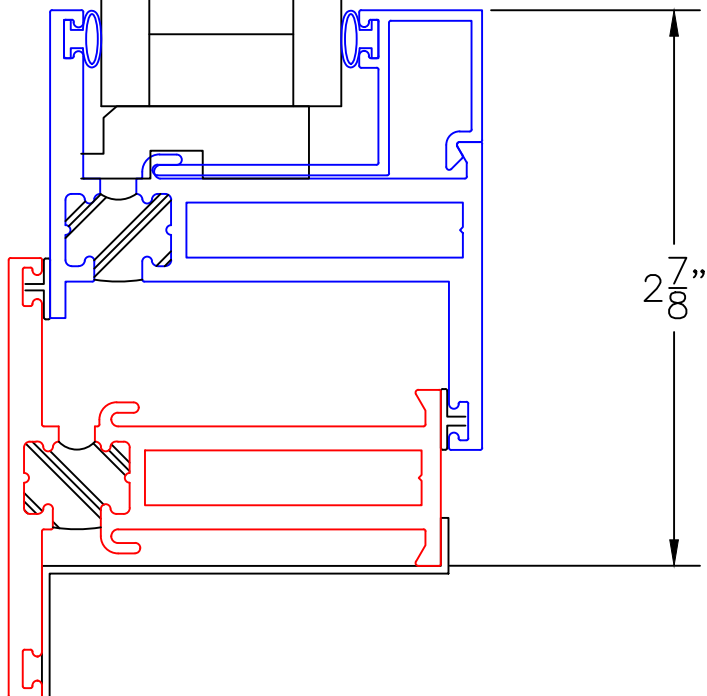
HOPPER WINDOW DETAILS
1-1/4" & 1-1/2"
INSULATED GLAZING SHOWN

1B
UNEQUAL LEG
HEAD



EXTERIOR

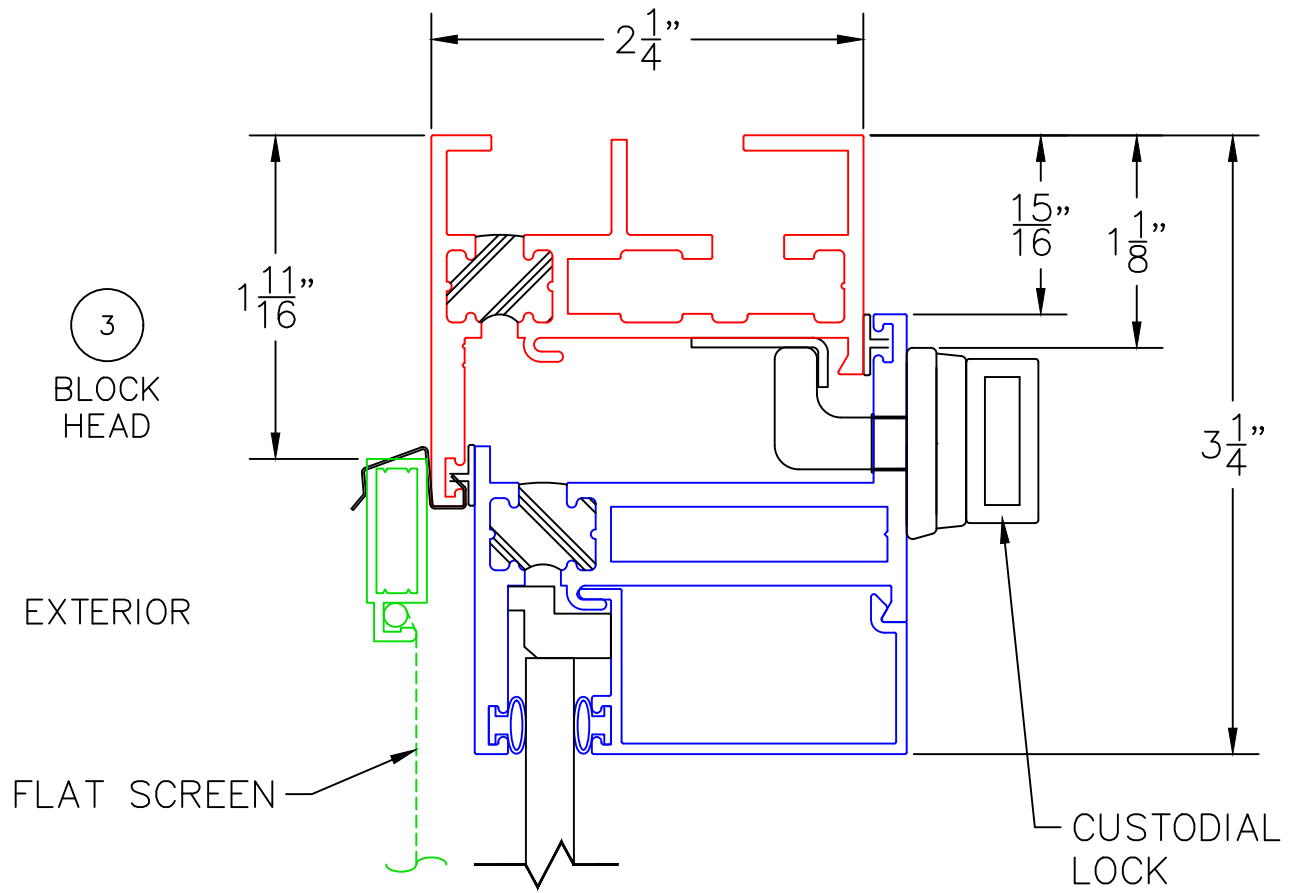
2B
UNEQUAL LEG
SILL W/ SILL PAN



0 0.5 1
(USE RULER TO SCALE DIMENSIONS IN INCHES)
SCALE: FULL

HOPPER WINDOW DETAILS
1/4" SINGLE GLAZING SHOWN

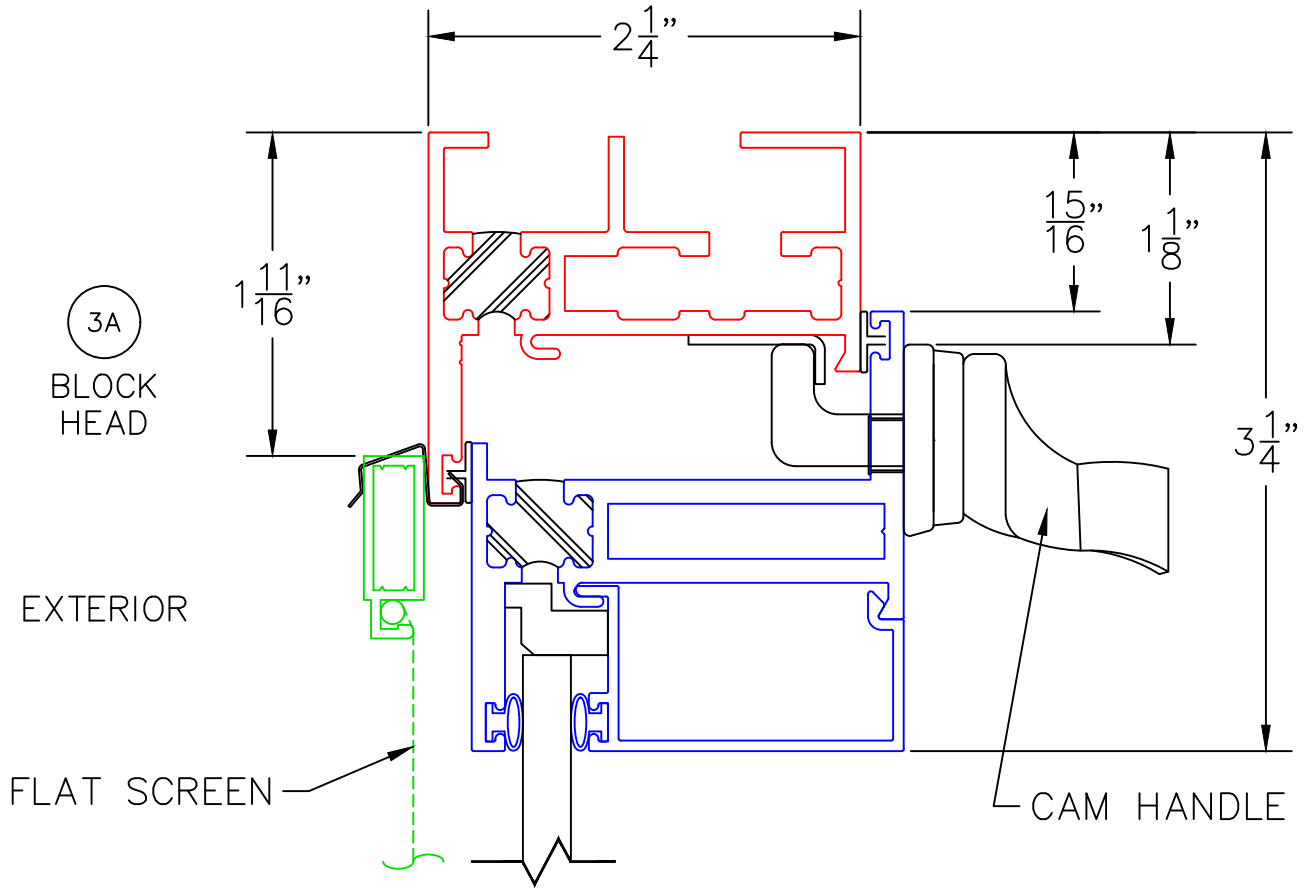
CUSTODIAL LOCK WITH FLAT SCREEN



0 0.5 1
(USE RULER TO SCALE DIMENSIONS IN INCHES)
SCALE: FULL

HOPPER WINDOW DETAILS
1/4" SINGLE GLAZING SHOWN

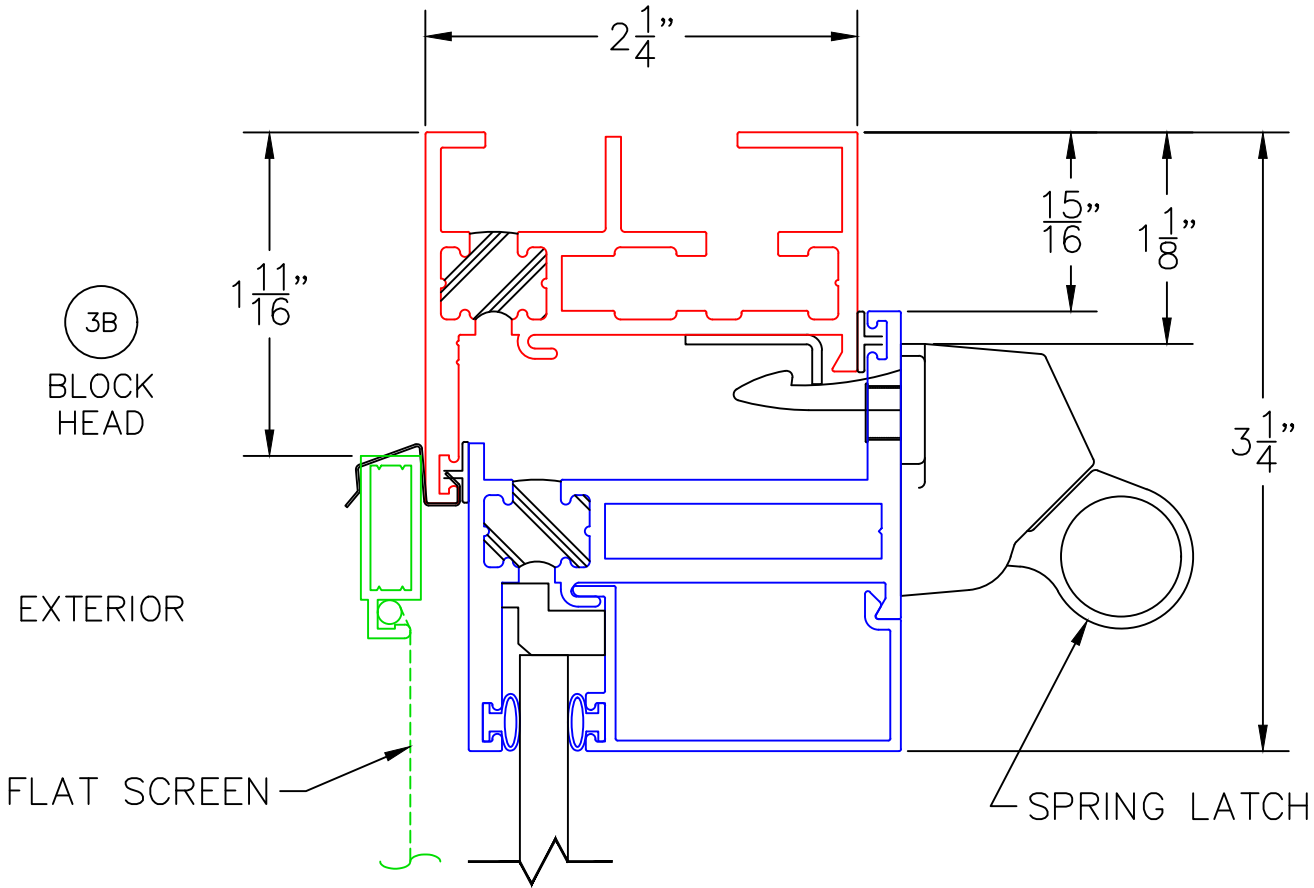
CAM HANDLE WITH FLAT SCREEN



0 0.5 1
(USE RULER TO SCALE DIMENSIONS IN INCHES)
SCALE: FULL

HOPPER WINDOW DETAILS
1/4" SINGLE GLAZING SHOWN

SPRING LATCH WITH FLAT SCREEN

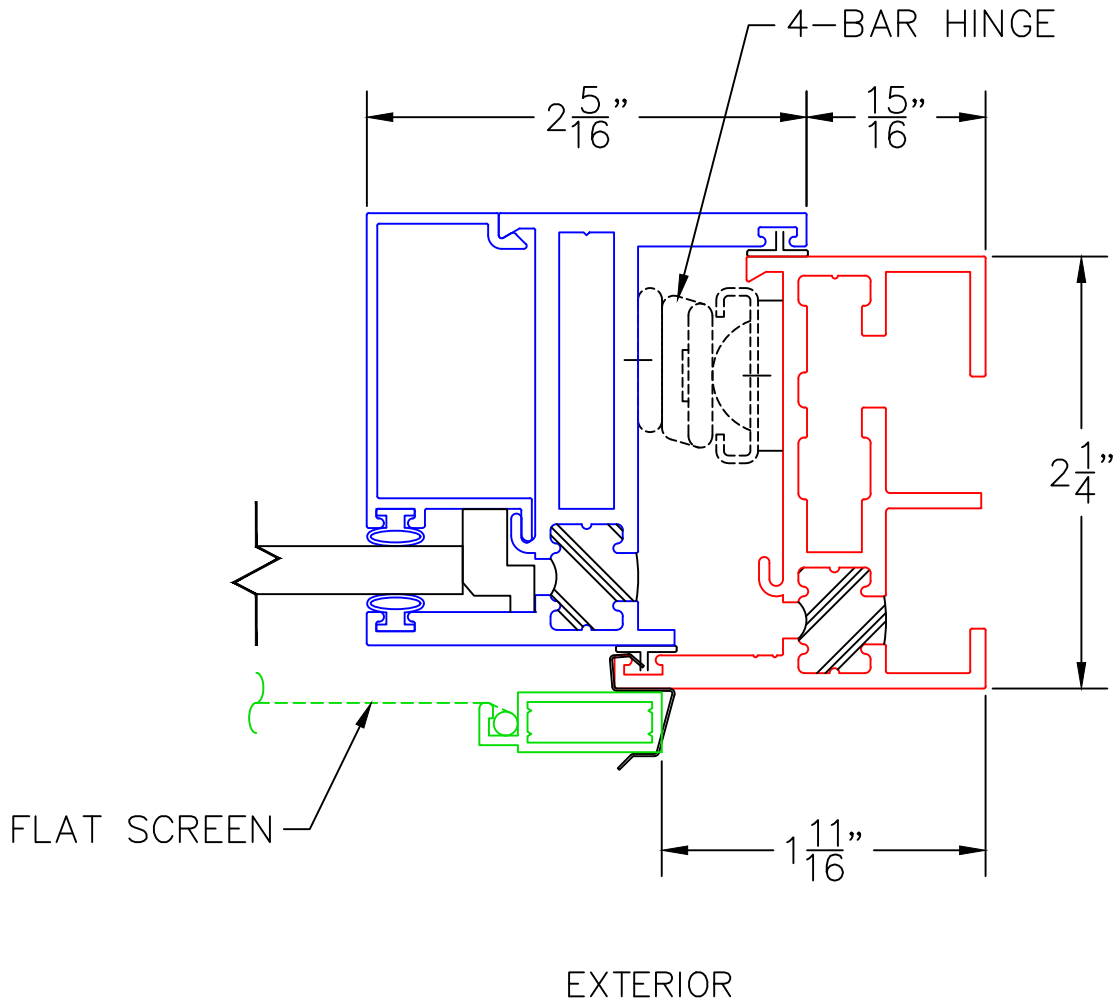


0 0.5 1
(USE RULER TO SCALE DIMENSIONS IN INCHES)
SCALE: FULL

HOPPER WINDOW DETAILS
1/4" SINGLE GLAZING SHOWN

4

JAMB
4-BAR HINGE

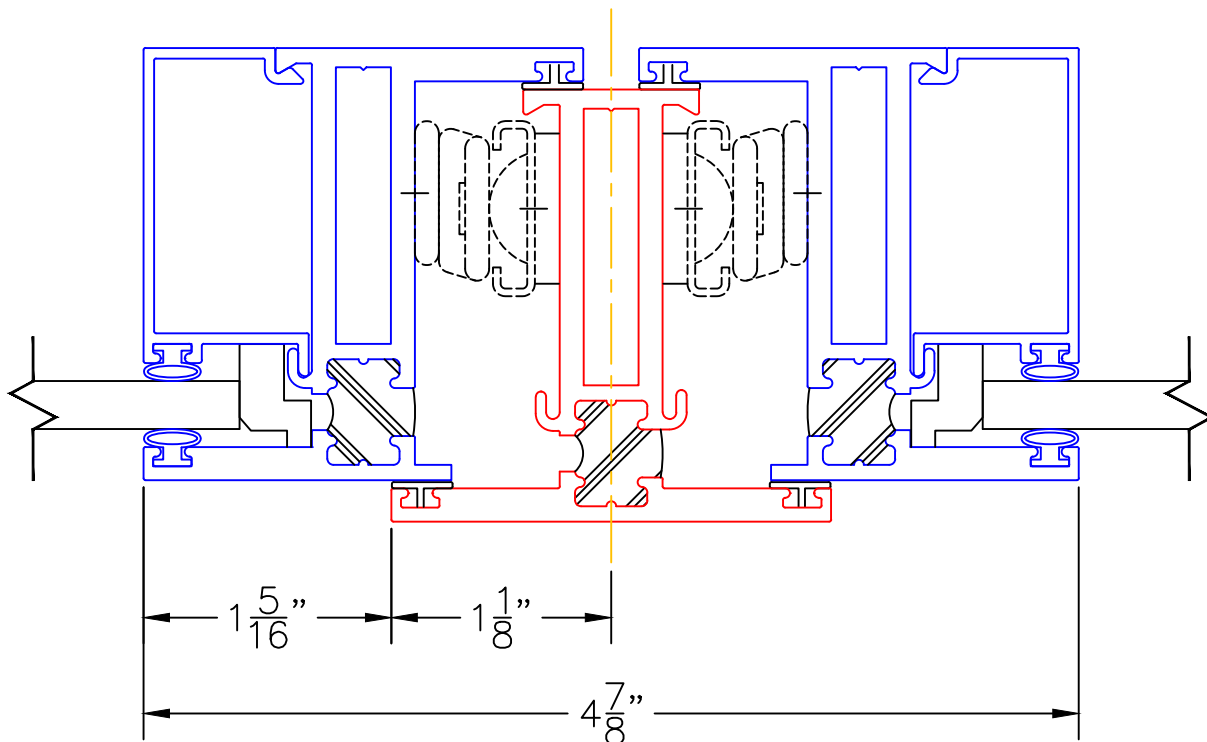


0 0.5 1
(USE RULER TO SCALE DIMENSIONS IN INCHES)
SCALE: FULL

HOPPER WINDOW DETAILS
1/4" SINGLE GLAZING SHOWN

5

HH
MULLION

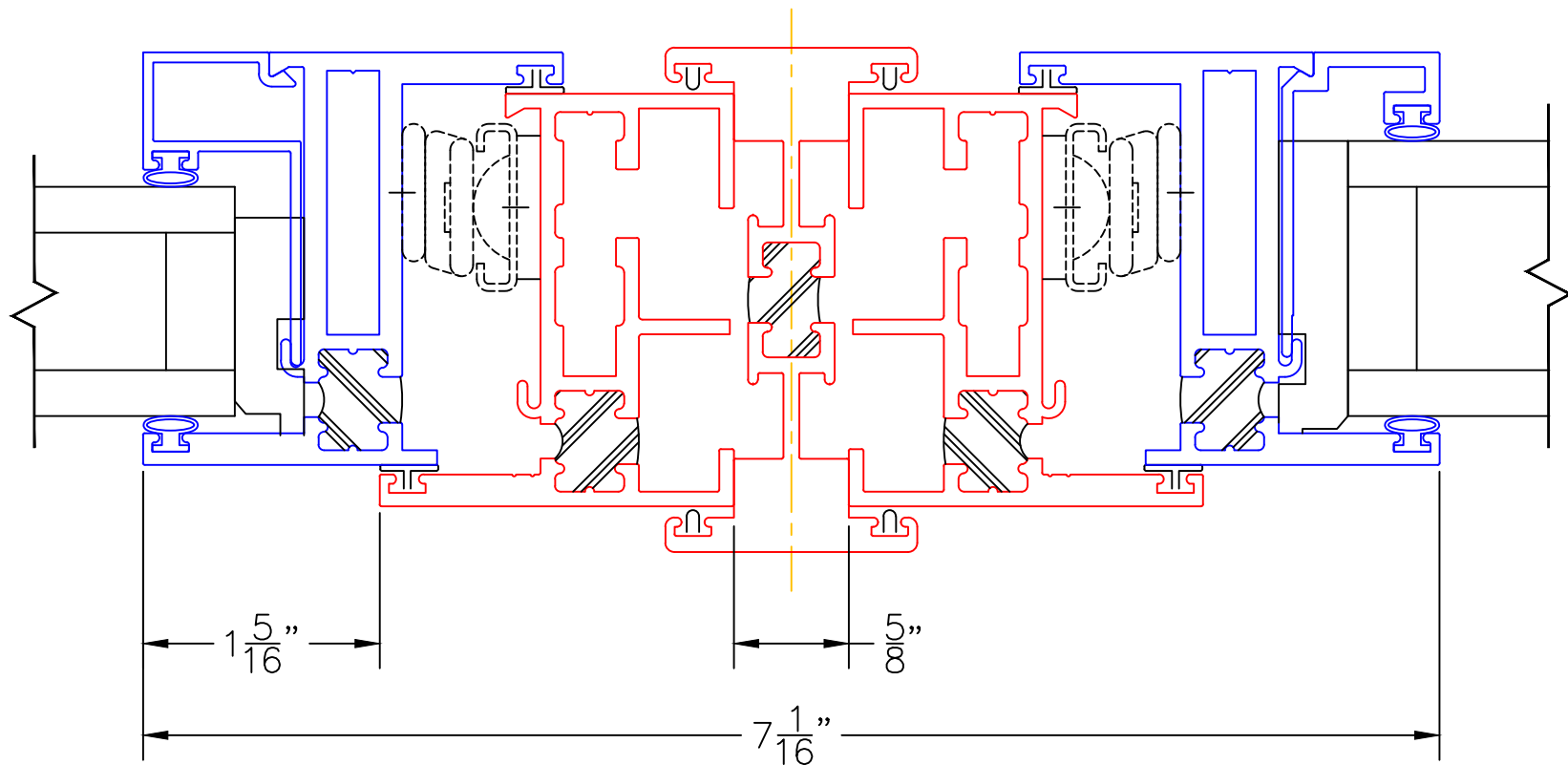


EXTERIOR

0 0.5 1
(USE RULER TO SCALE DIMENSIONS IN INCHES)
SCALE: FULL

HOPPER WINDOW DETAILS
1-1/4" & 1-1/2"
INSULATED GLAZING SHOWN

6
H/H
JAMB MULLION



EXTERIOR