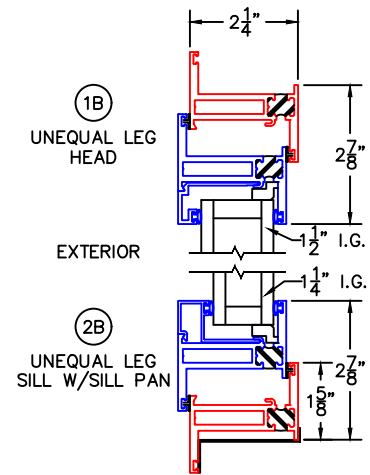
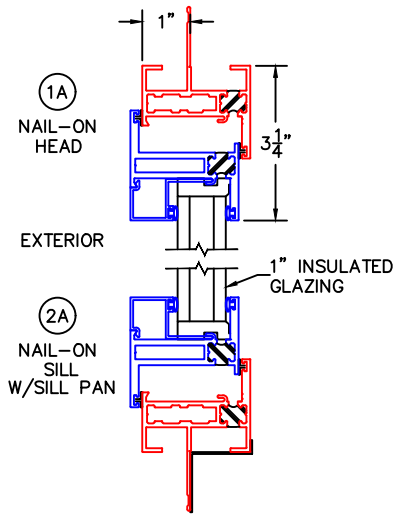
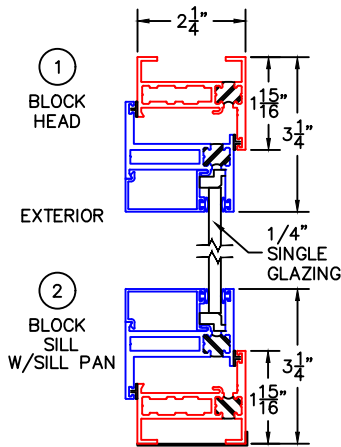
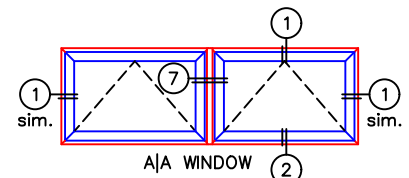
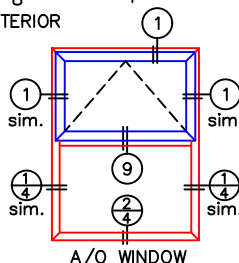
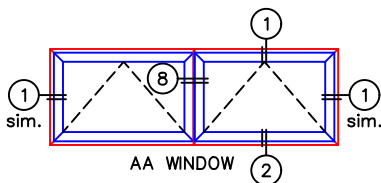
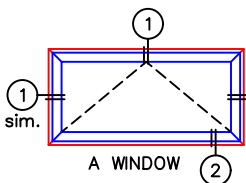
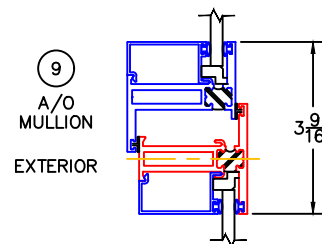
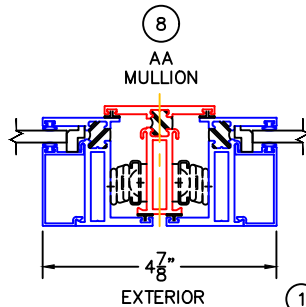
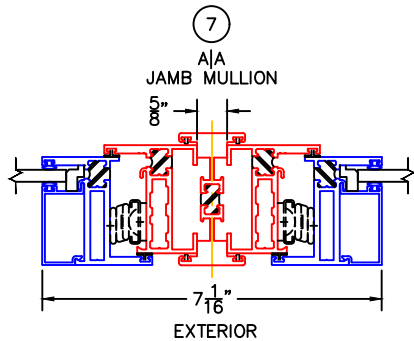
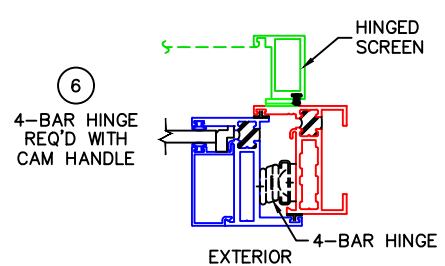
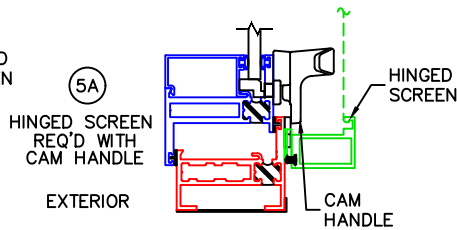
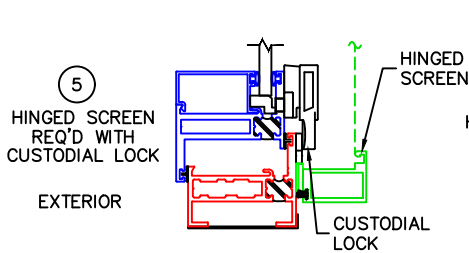
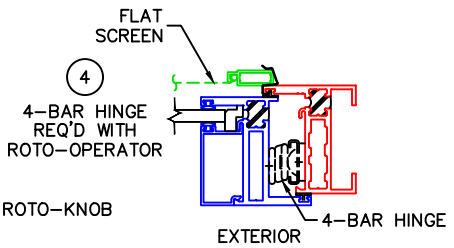
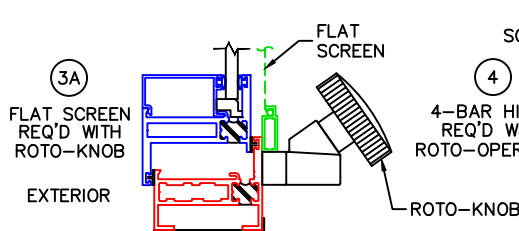
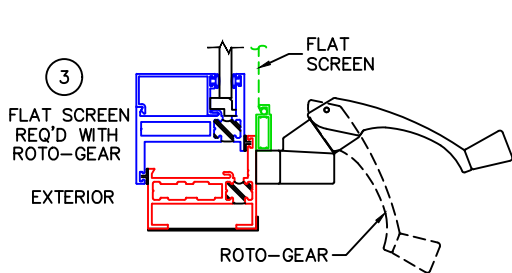


(USE RULER TO SCALE DIMENSIONS IN INCHES)  
**SCALE: 1/4"**

AWNING WINDOW DETAILS  
1/4", 1", 1-1/4" AND 1-1/2"  
OUTSIDE GLAZING SHOWN



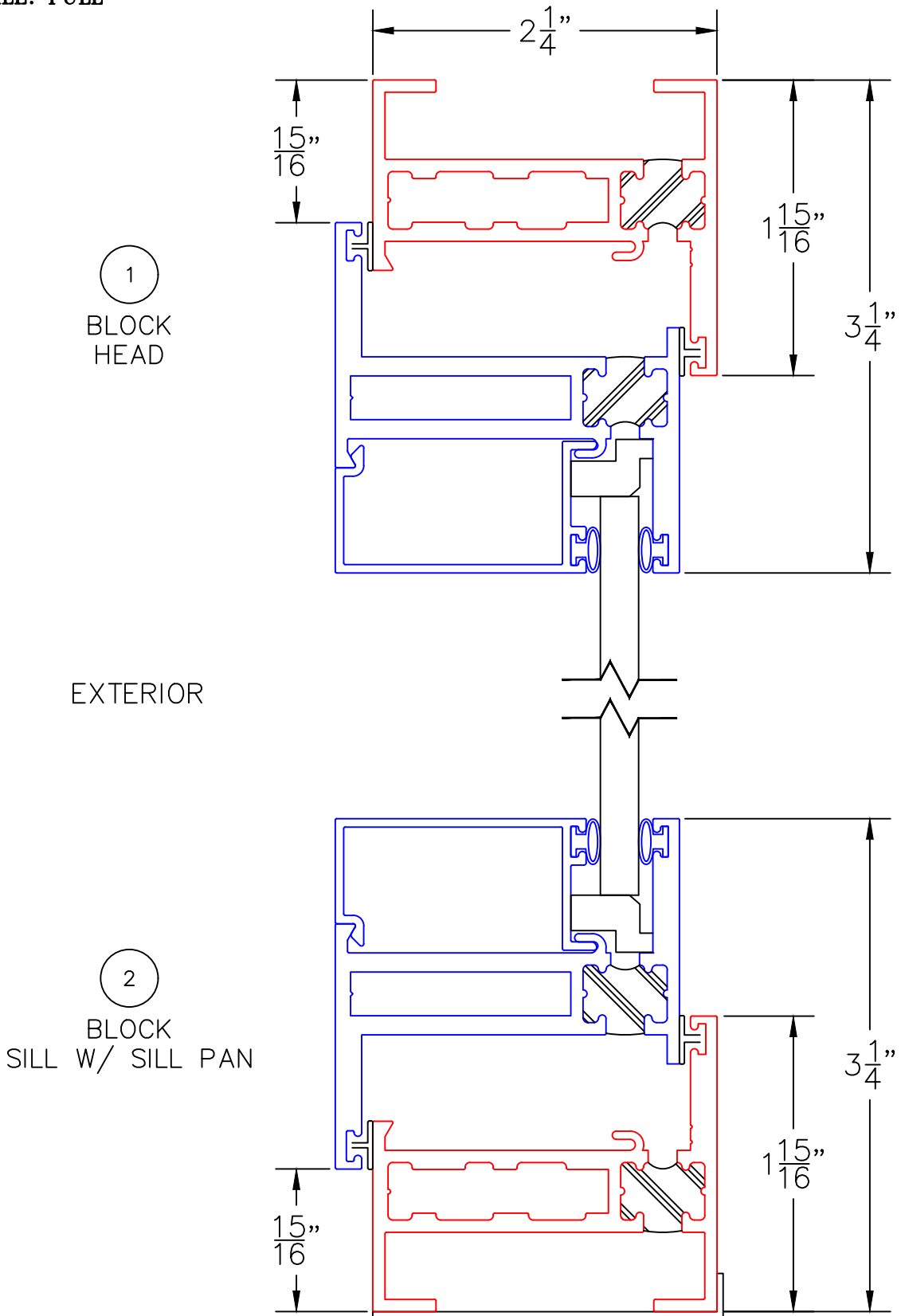
HARDWARE OPTIONS



-GLASS PENETRATION: 1/2"  
-EXTERIOR RATED PRODUCTS HAVE WEEP SLOTS ON HORIZONTAL SILLS.

0 0.5 1  
(USE RULER TO SCALE DIMENSIONS IN INCHES)  
**SCALE: FULL**

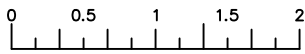
AWNING WINDOW DETAILS  
1/4" SINGLE GLAZING SHOWN



1  
BLOCK  
HEAD

EXTERIOR

2  
BLOCK  
SILL W/ SILL PAN



(USE RULER TO SCALE DIMENSIONS IN INCHES)

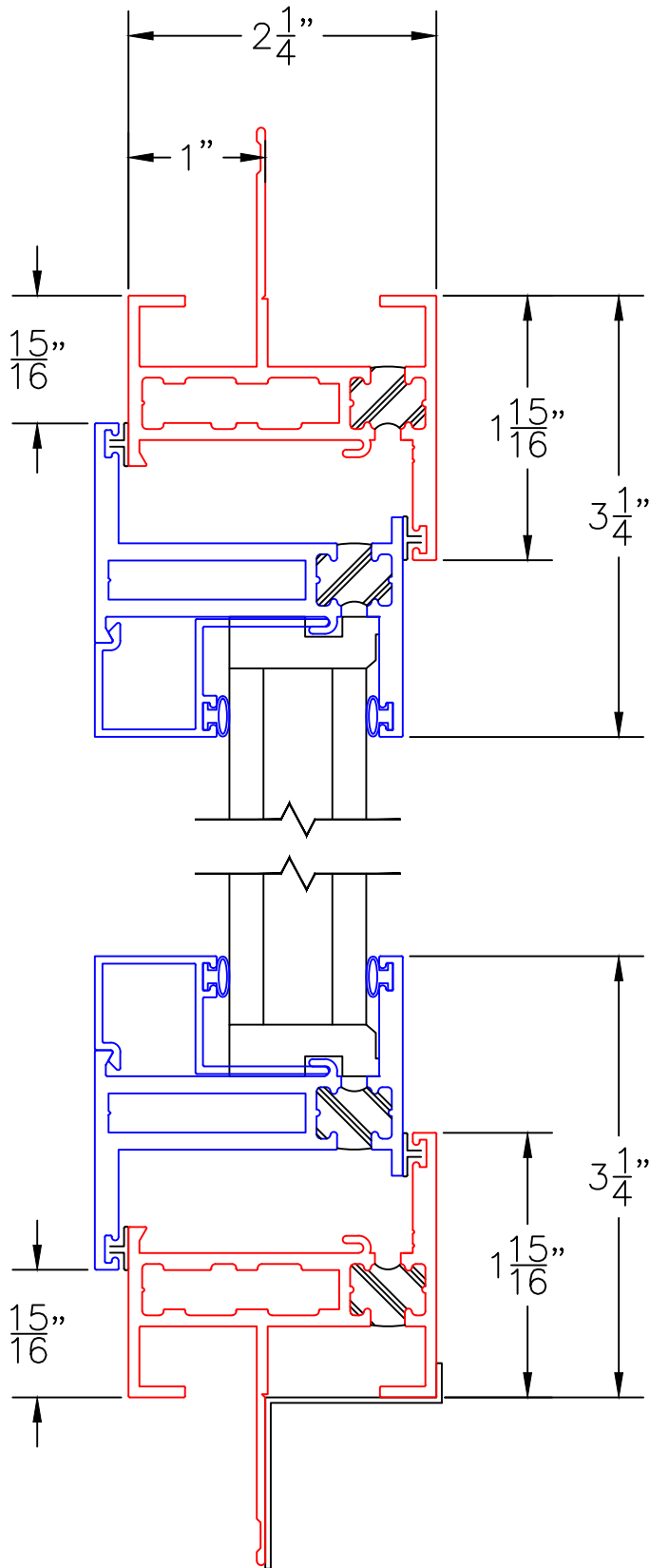
SCALE: 3/4

AWNING WINDOW DETAILS  
1" INSULATED GLAZING SHOWN

1A  
NAIL-ON  
HEAD

EXTERIOR

2A  
NAIL-ON  
SILL W/ SILL PAN



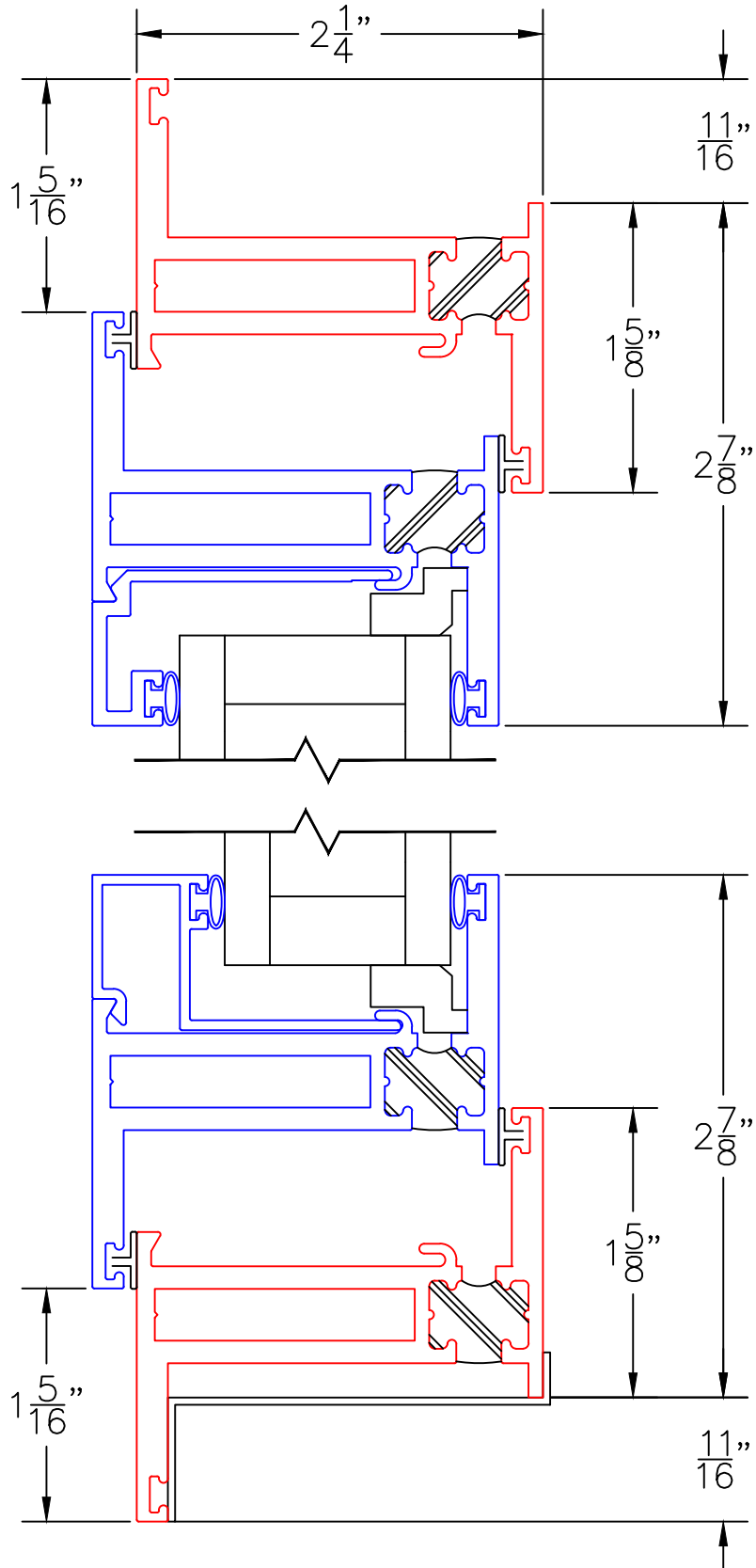
0 0.5 1  
(USE RULER TO SCALE DIMENSIONS IN INCHES)  
**SCALE: FULL**

AWNING WINDOW DETAILS  
1-1/4" AND 1-1/2"  
INSULATED GLAZING SHOWN

1B  
UNEQUAL LEG  
HEAD

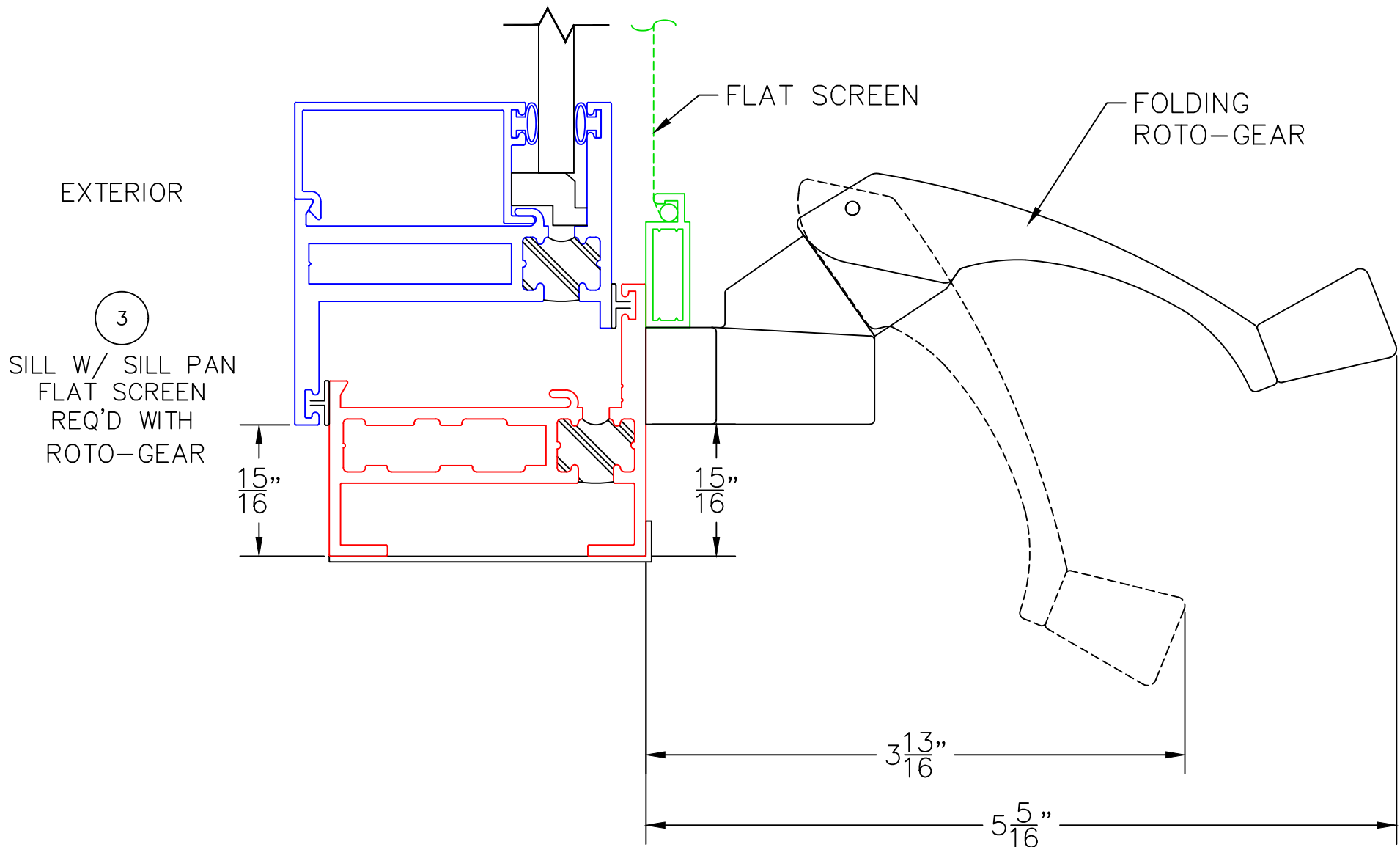
EXTERIOR

2B  
UNEQUAL LEG  
SILL W/ SILL PAN



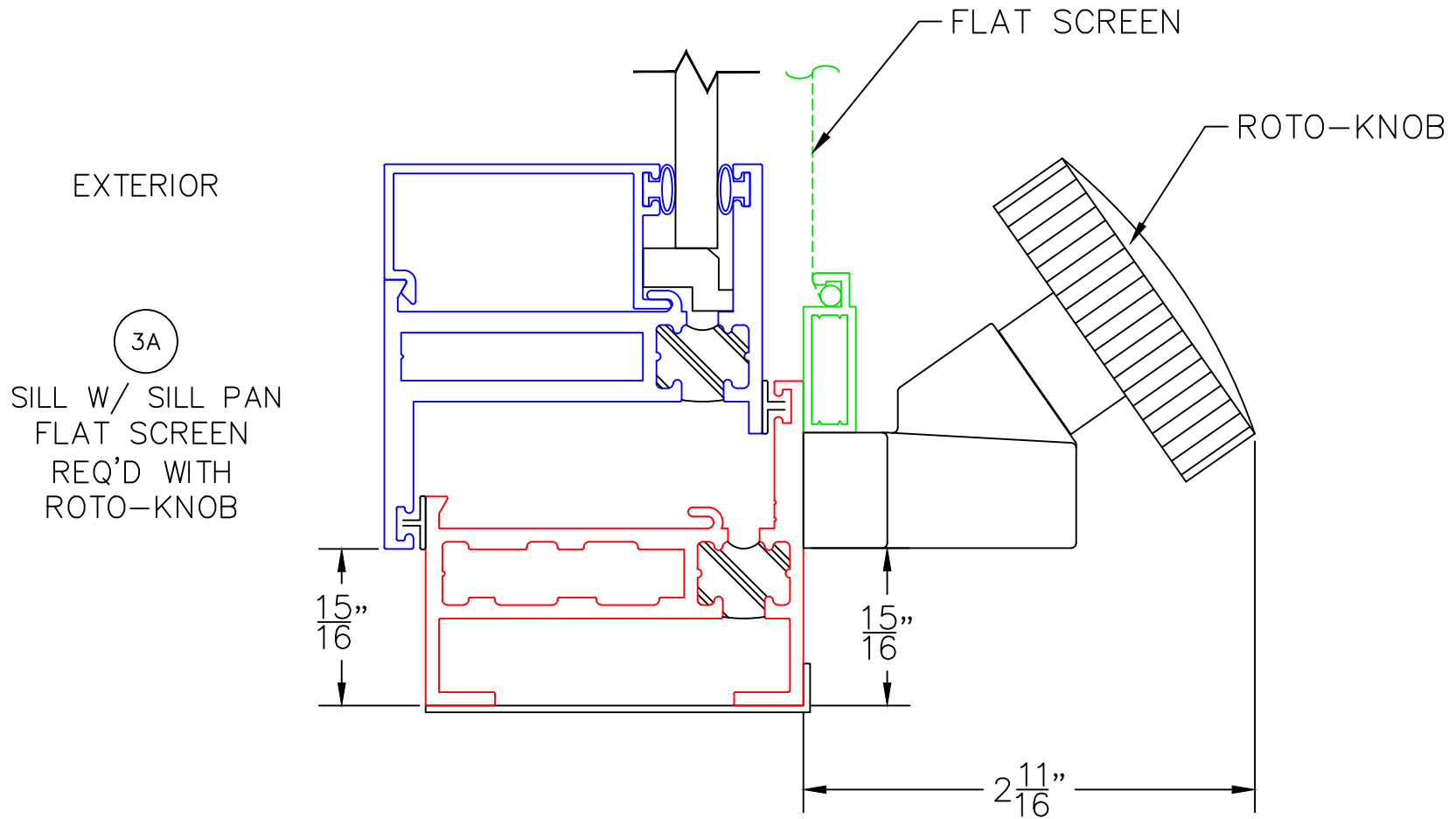
0 0.5 1  
(USE RULER TO SCALE DIMENSIONS IN INCHES)  
**SCALE: FULL**

## AWNING WINDOW DETAILS 1/4" SINGLE GLAZING SHOWN



0 0.5 1  
(USE RULER TO SCALE DIMENSIONS IN INCHES)  
**SCALE: FULL**

## AWNING WINDOW DETAILS 1/4" SINGLE GLAZING SHOWN

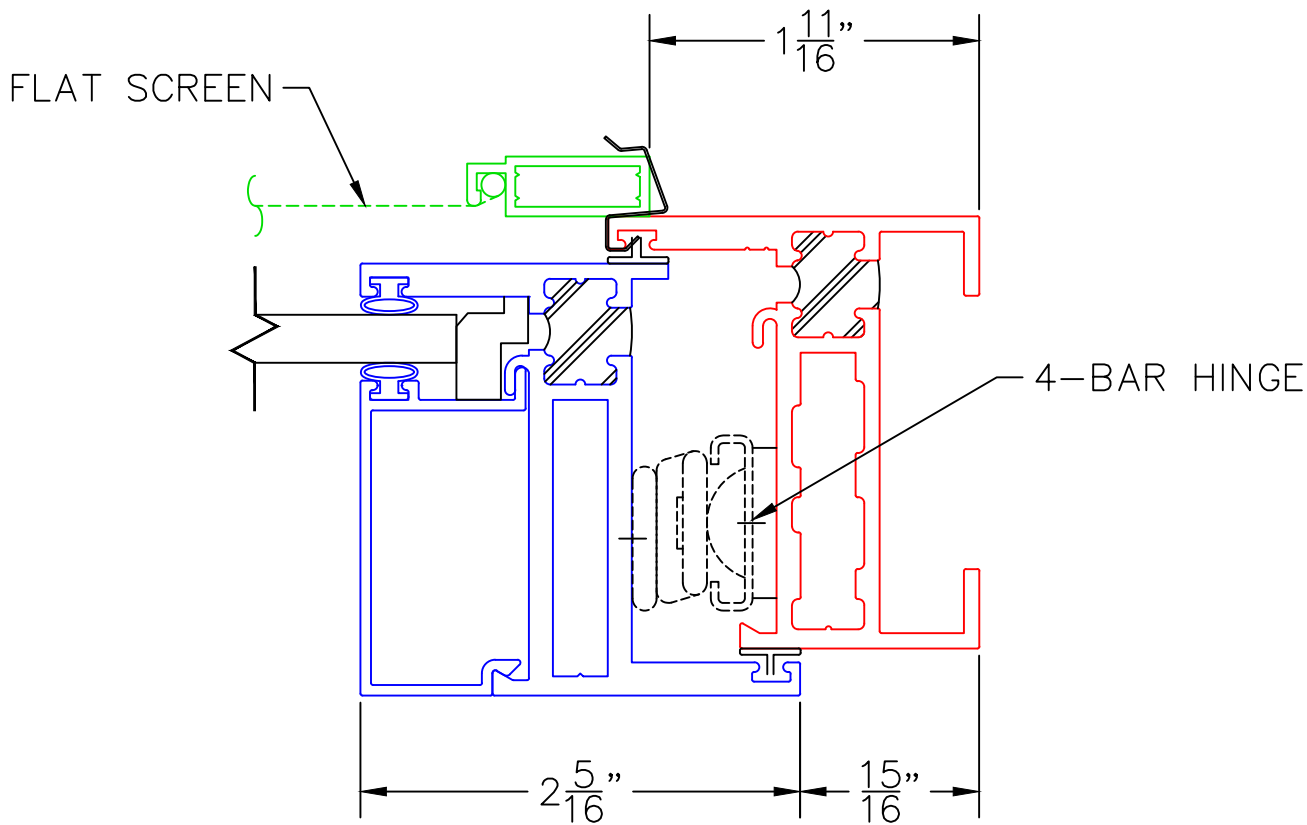


0 0.5 1  
(USE RULER TO SCALE DIMENSIONS IN INCHES)  
**SCALE: FULL**

AWNING WINDOW DETAILS  
1/4" SINGLE GLAZING SHOWN

4

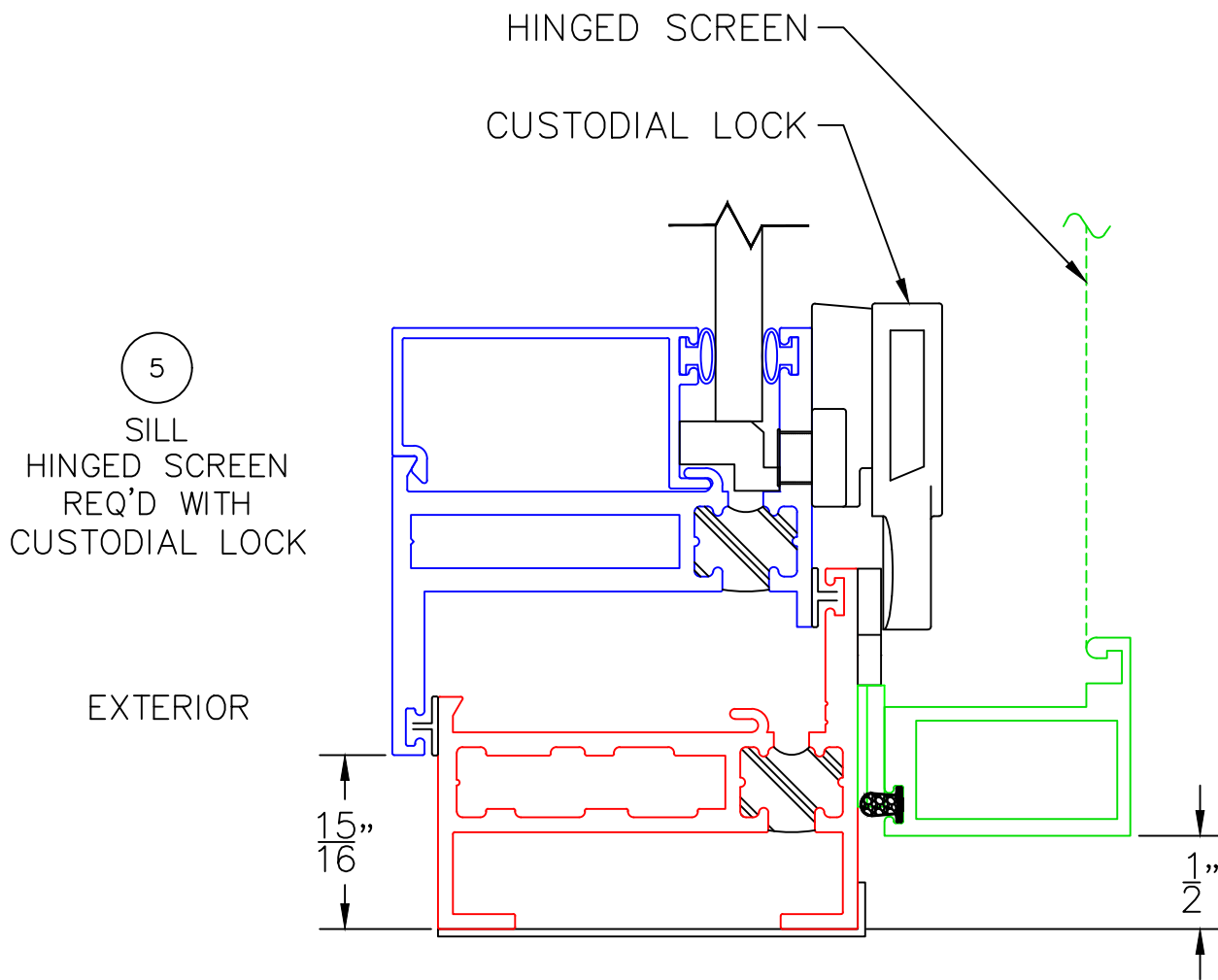
JAMB  
4-BAR HINGE  
REQ'D WITH  
ROTO-OPERATOR



EXTERIOR

0 0.5 1  
(USE RULER TO SCALE DIMENSIONS IN INCHES)  
**SCALE: FULL**

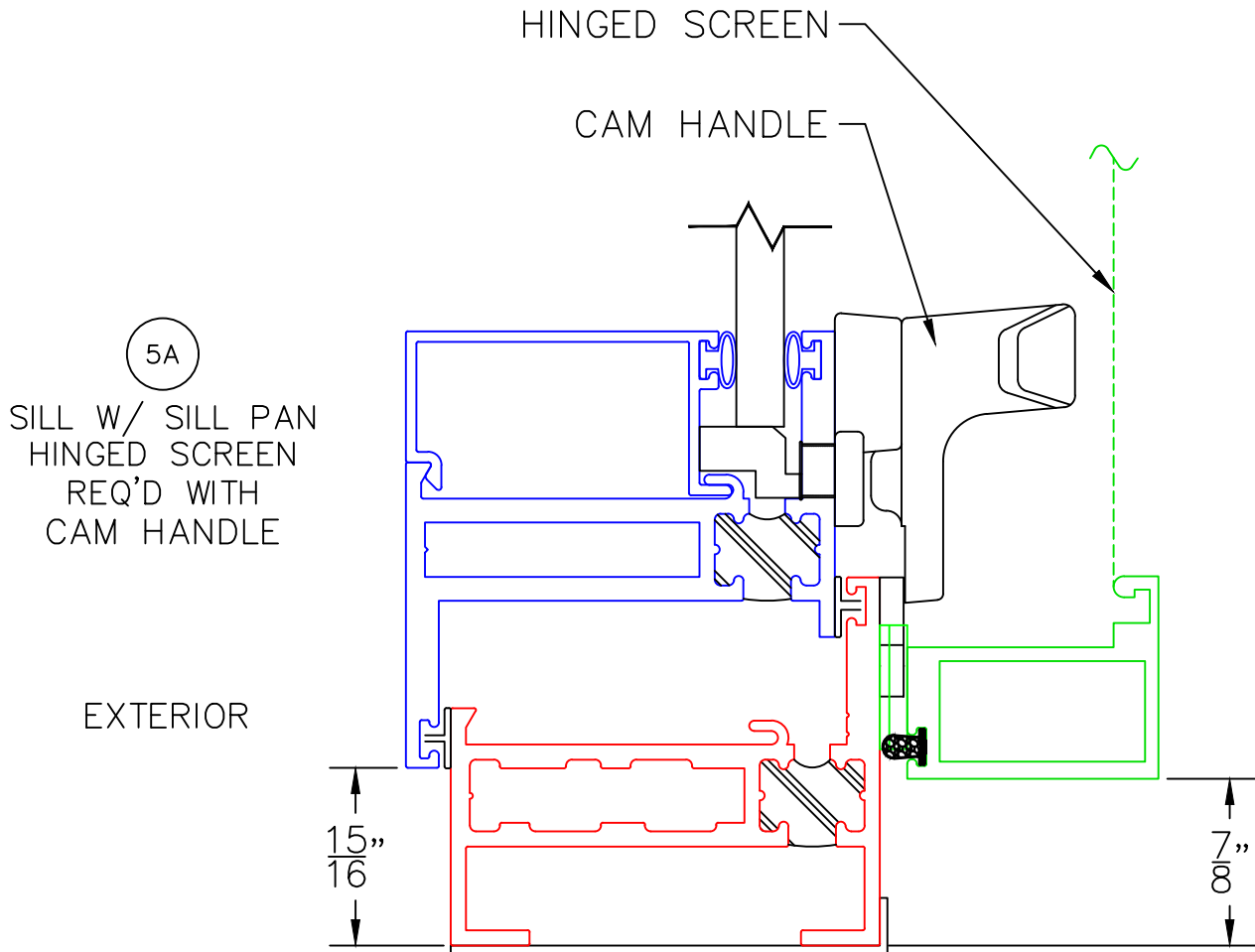
AWNING WINDOW DETAILS  
1/4" SINGLE GLAZING SHOWN





0 0.5 1  
(USE RULER TO SCALE DIMENSIONS IN INCHES)  
**SCALE: FULL**

AWNING WINDOW DETAILS  
1/4" SINGLE GLAZING SHOWN

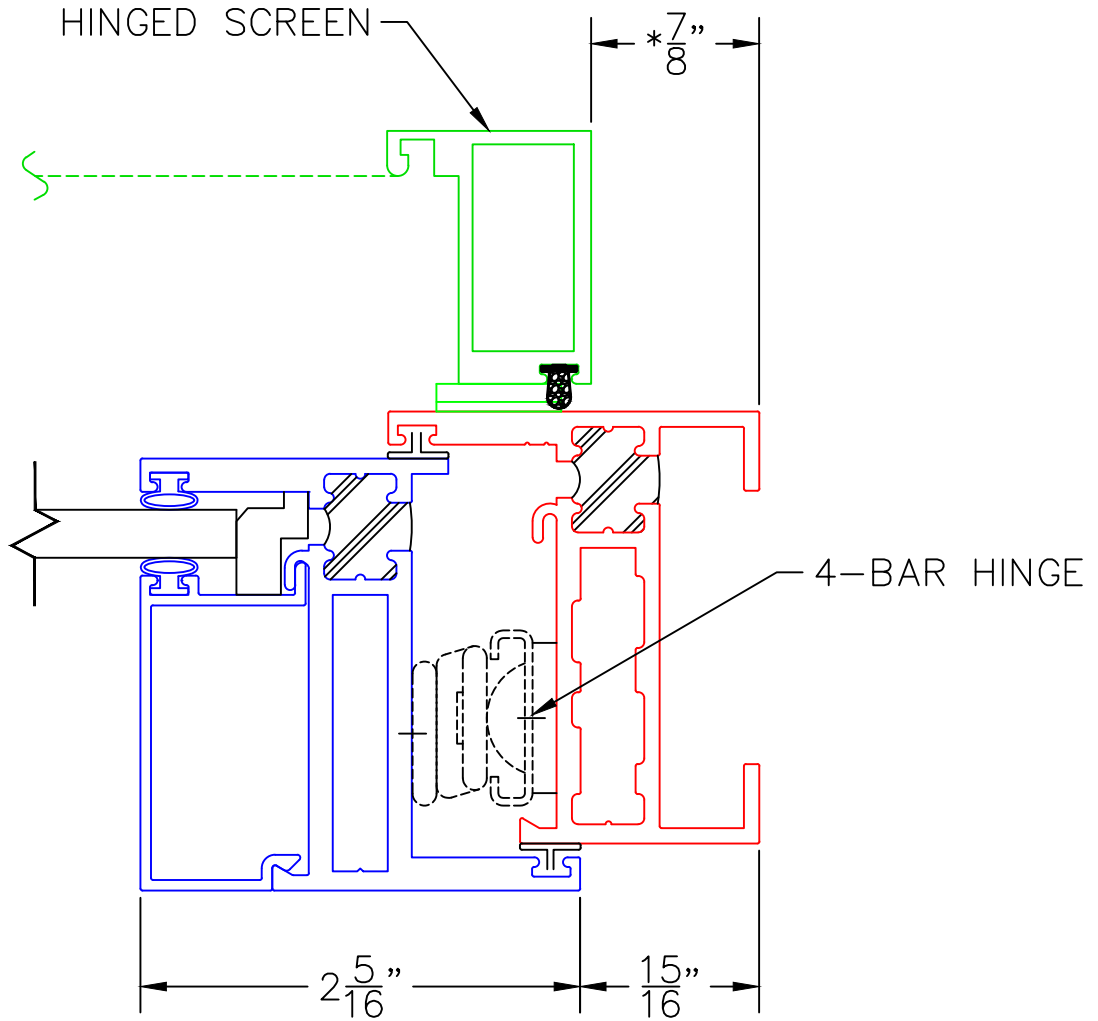


0 0.5 1  
(USE RULER TO SCALE DIMENSIONS IN INCHES)  
**SCALE: FULL**

AWNING WINDOW DETAILS  
1/4" SINGLE GLAZING SHOWN

6

JAMB  
4-BAR HINGE  
REQ'D WITH  
CAM HANDLE

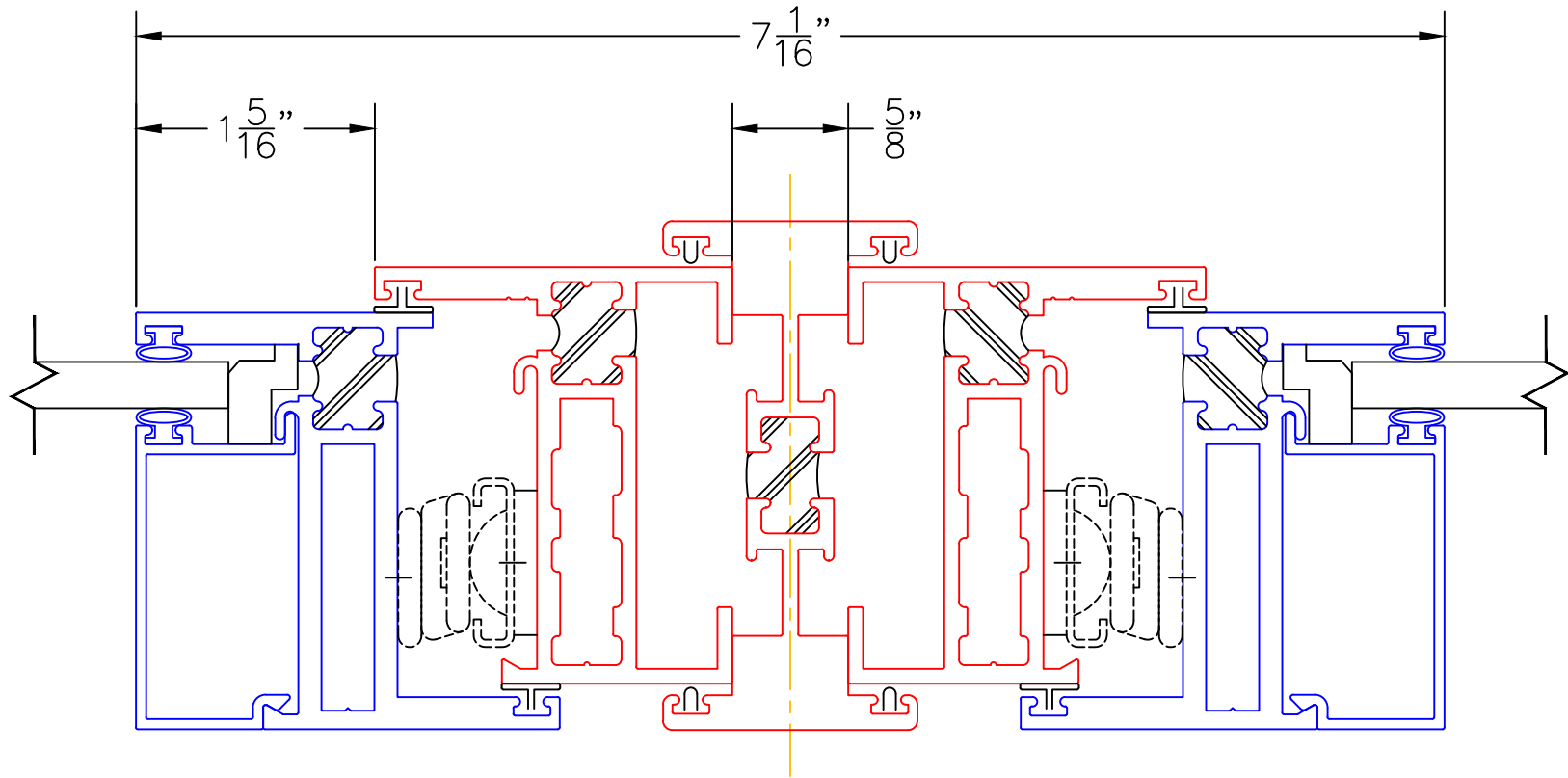


\*NOTE: 1/2" CLEARANCE WITH MULTI-POINT LOCK AT JAMB

0 0.5 1  
(USE RULER TO SCALE DIMENSIONS IN INCHES)  
**SCALE: FULL**

## AWNING WINDOW DETAILS 1/4" SINGLE GLAZING SHOWN

7  
A/A  
JAMB MULLION



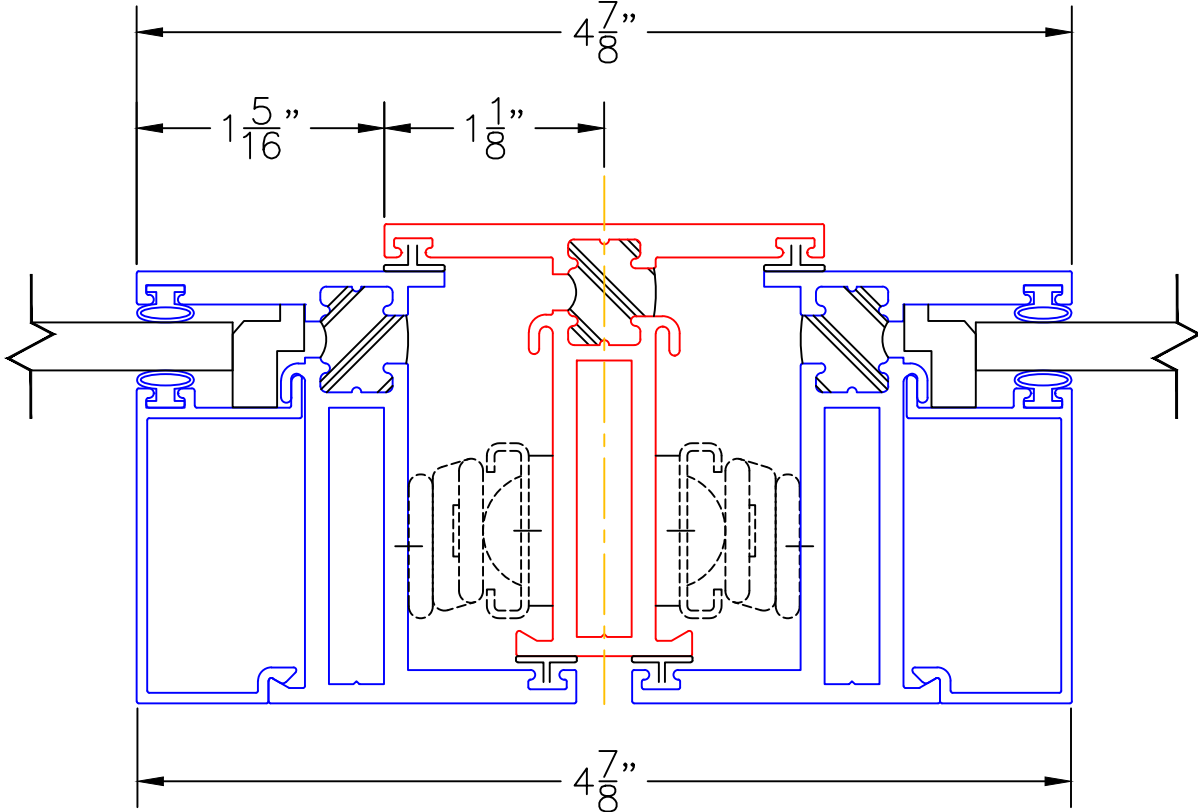
EXTERIOR

0 0.5 1  
(USE RULER TO SCALE DIMENSIONS IN INCHES)  
**SCALE: FULL**

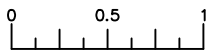
AWNING WINDOW DETAILS  
1/4" SINGLE GLAZING SHOWN

8

AA  
MULLION



EXTERIOR



(USE RULER TO SCALE DIMENSIONS IN INCHES)

**SCALE: FULL**

AWNING WINDOW DETAILS  
1/4" SINGLE GLAZING SHOWN

EXTERIOR

9  
A/O  
MULLION

