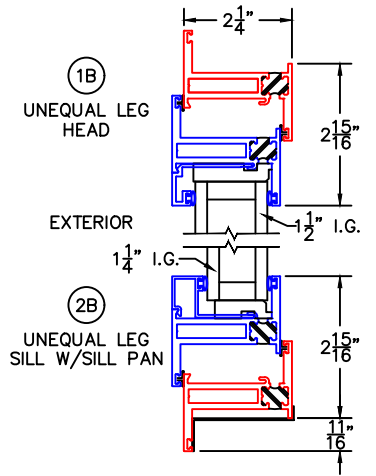
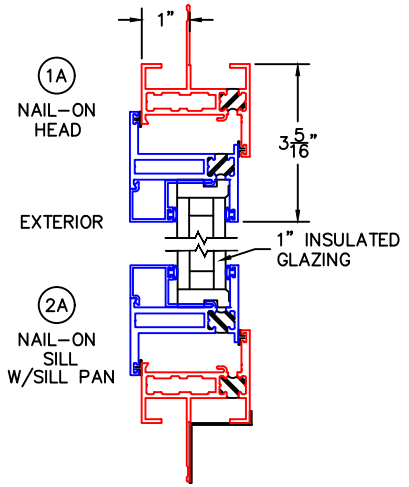
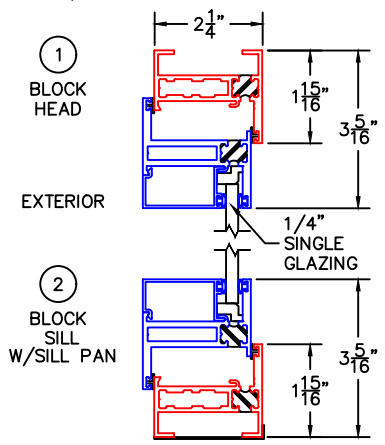
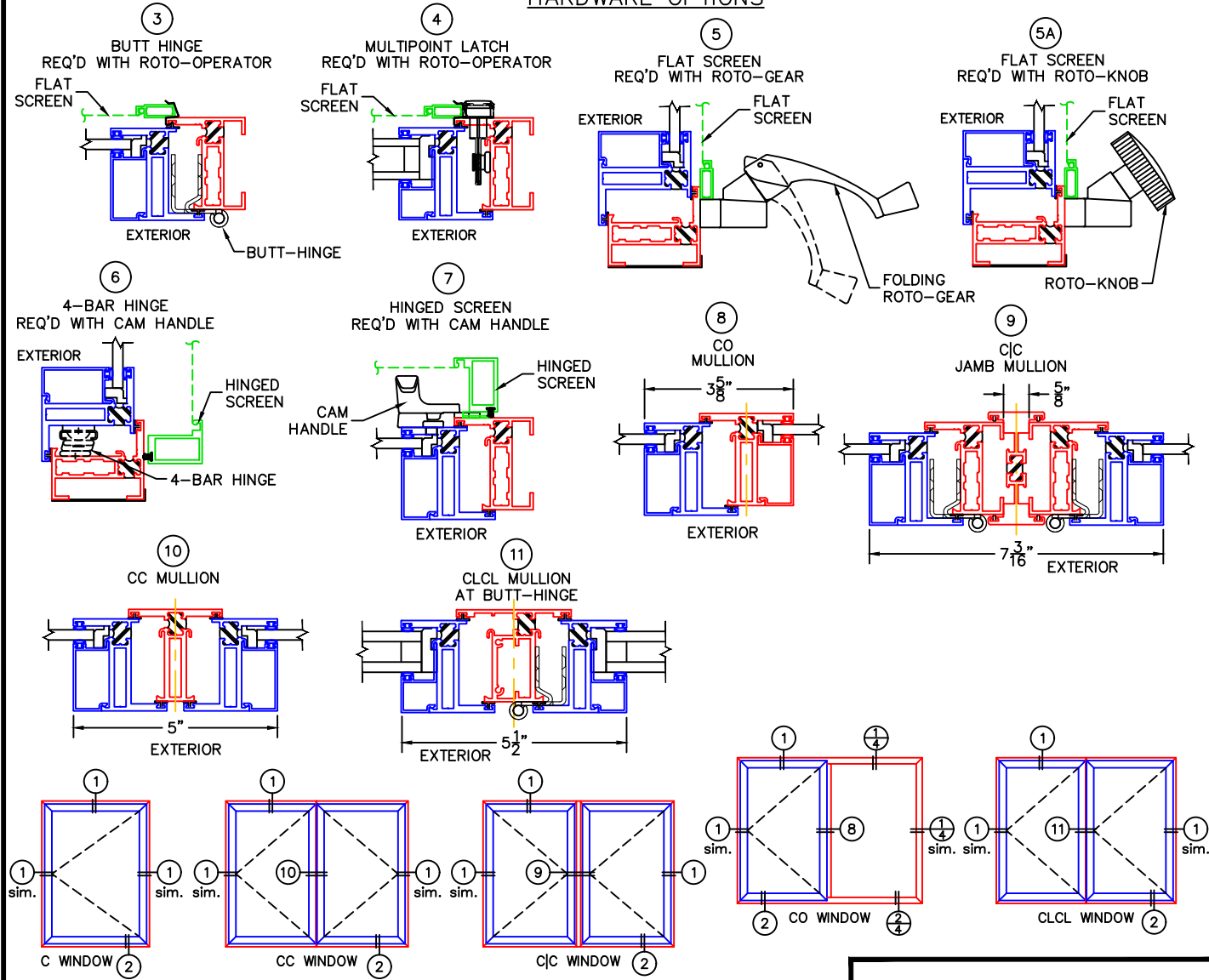


(USE RULER TO SCALE DIMENSIONS IN INCHES)
SCALE: 1/4"

CASEMENT WINDOW DETAILS
1/4" SINGLE, 1", 1-1/4" AND
1-1/2" INSULATED GLAZING SHOWN



HARDWARE OPTIONS

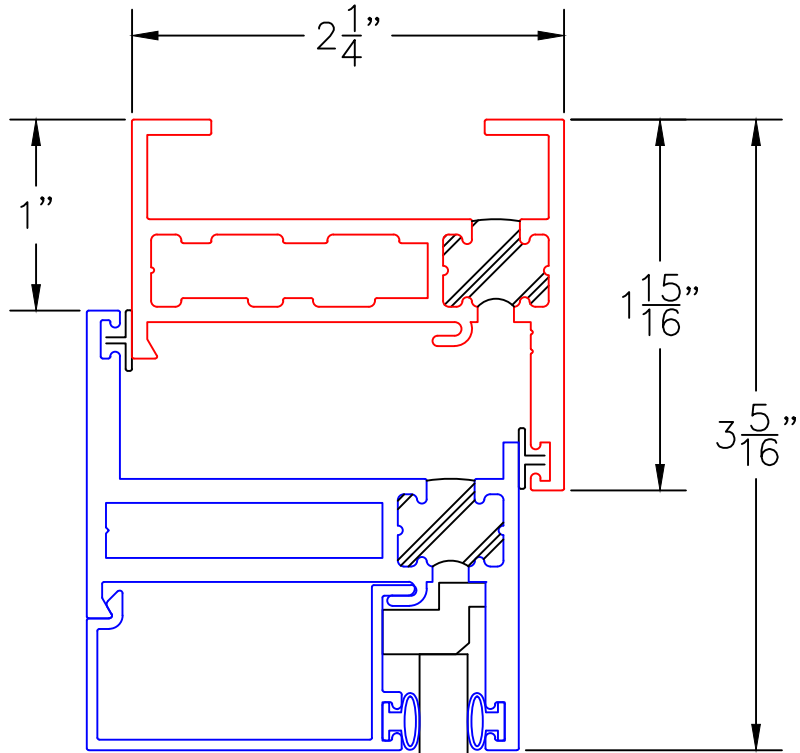


-GLASS PENETRATION: 1/2"
-EXTERIOR RATED PRODUCTS HAVE WEEP SLOTS ON HORIZONTAL SILLS.

0 0.5 1
(USE RULER TO SCALE DIMENSIONS IN INCHES)
SCALE: FULL

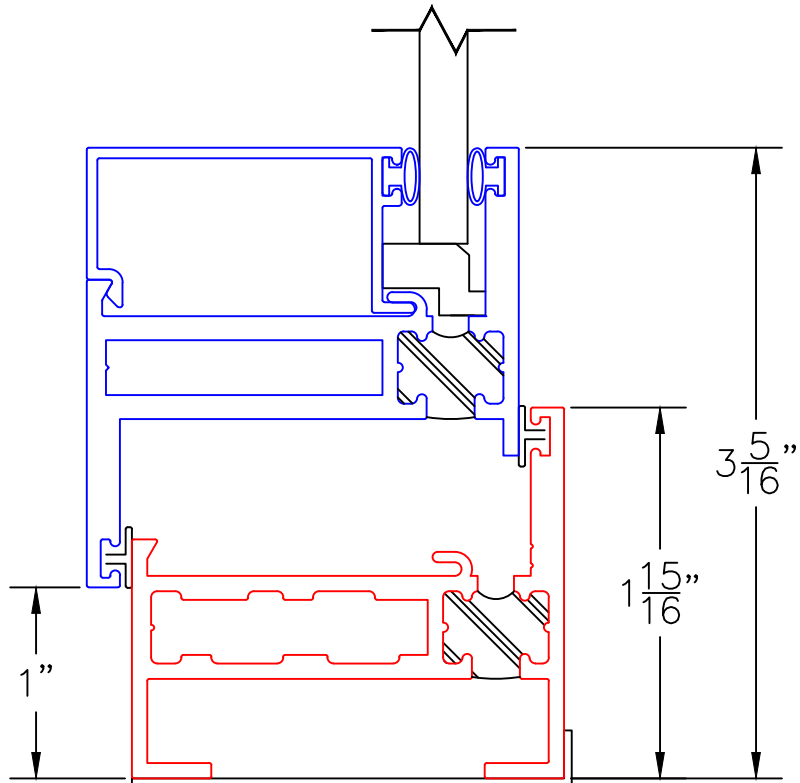
CASEMENT WINDOW DETAILS
1/4" SINGLE GLAZING SHOWN

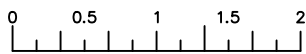
1
BLOCK HEAD



EXTERIOR

2
BLOCK SILL
W/ SILL PAN





(USE RULER TO SCALE DIMENSIONS IN INCHES)

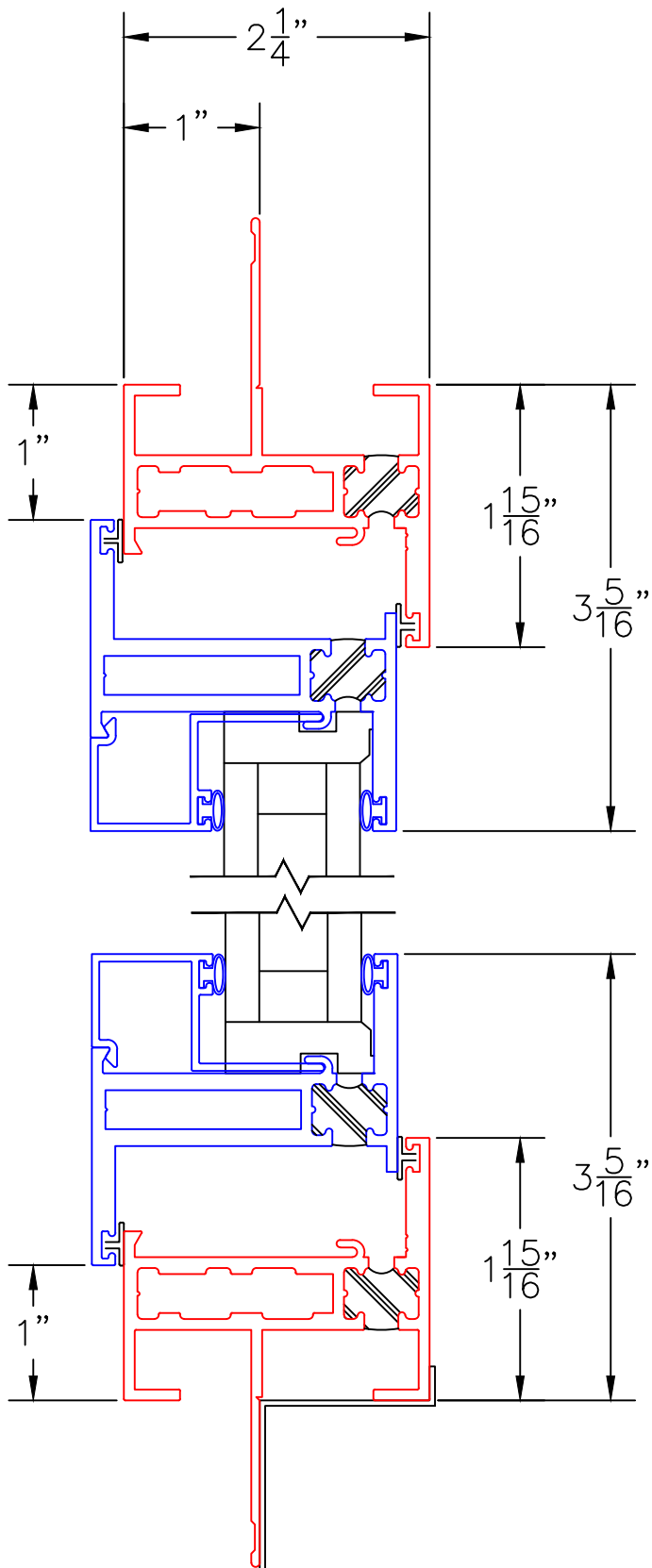
SCALE: 3/4

CASEMENT WINDOW DETAILS
1" INSULATED GLAZING SHOWN

1A
NAIL-ON
HEAD

EXTERIOR

2A
NAIL-ON
SILL W/ SILL PAN



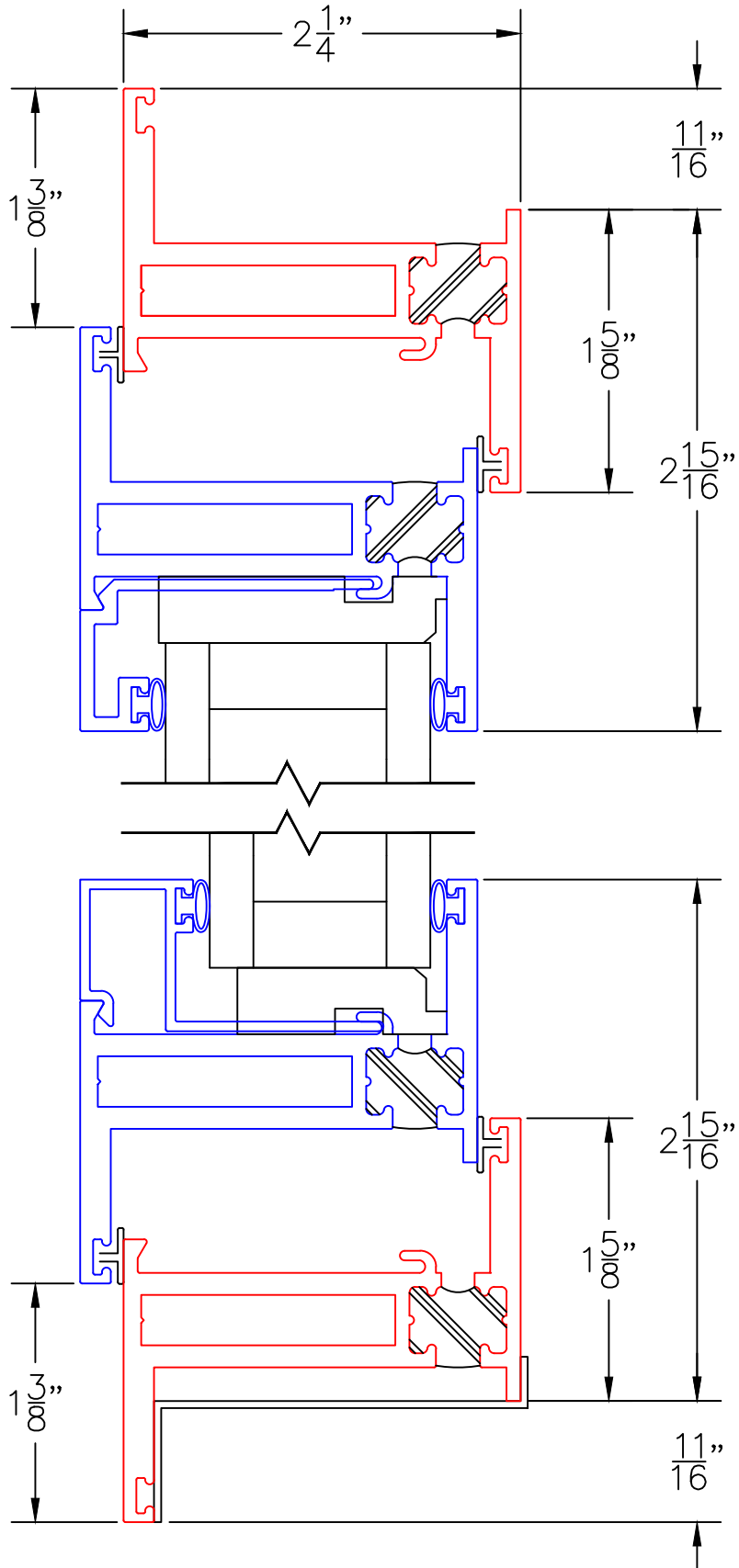
0 0.5 1
 (USE RULER TO SCALE DIMENSIONS IN INCHES)
SCALE: FULL

CASEMENT WINDOW DETAILS
 1-1/4" AND 1-1/2" I.G. SHOWN

1B
 UNEQUAL LEG
 HEAD

EXTERIOR

2B
 UNEQUAL LEG
 SILL W/ SILL PAN

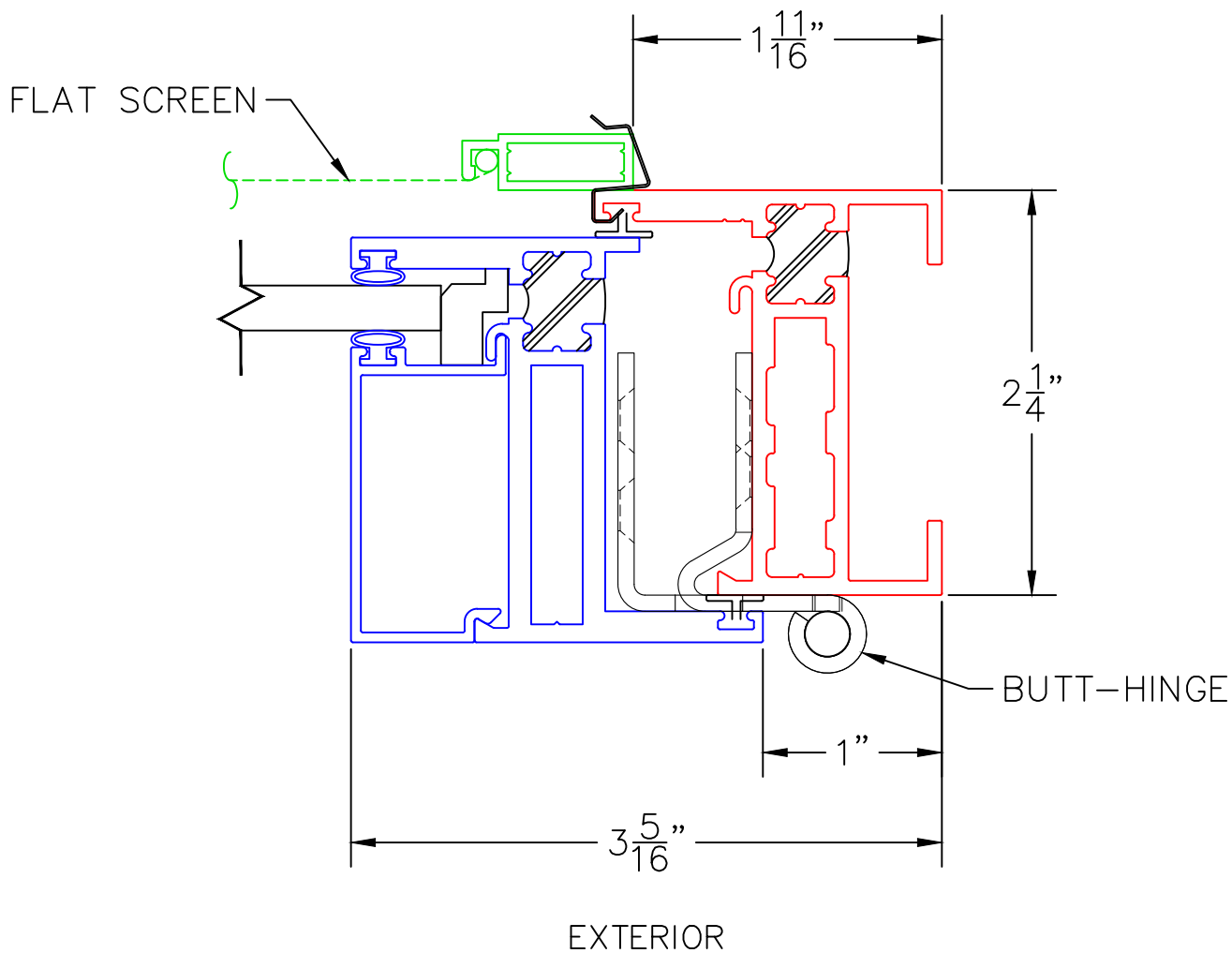


0 0.5 1
(USE RULER TO SCALE DIMENSIONS IN INCHES)
SCALE: FULL

CASEMENT WINDOW DETAILS
1/4" SINGLE GLAZING SHOWN

3

JAMB
BUTT-HINGE
REQ'D WITH
ROTO-OPERATOR

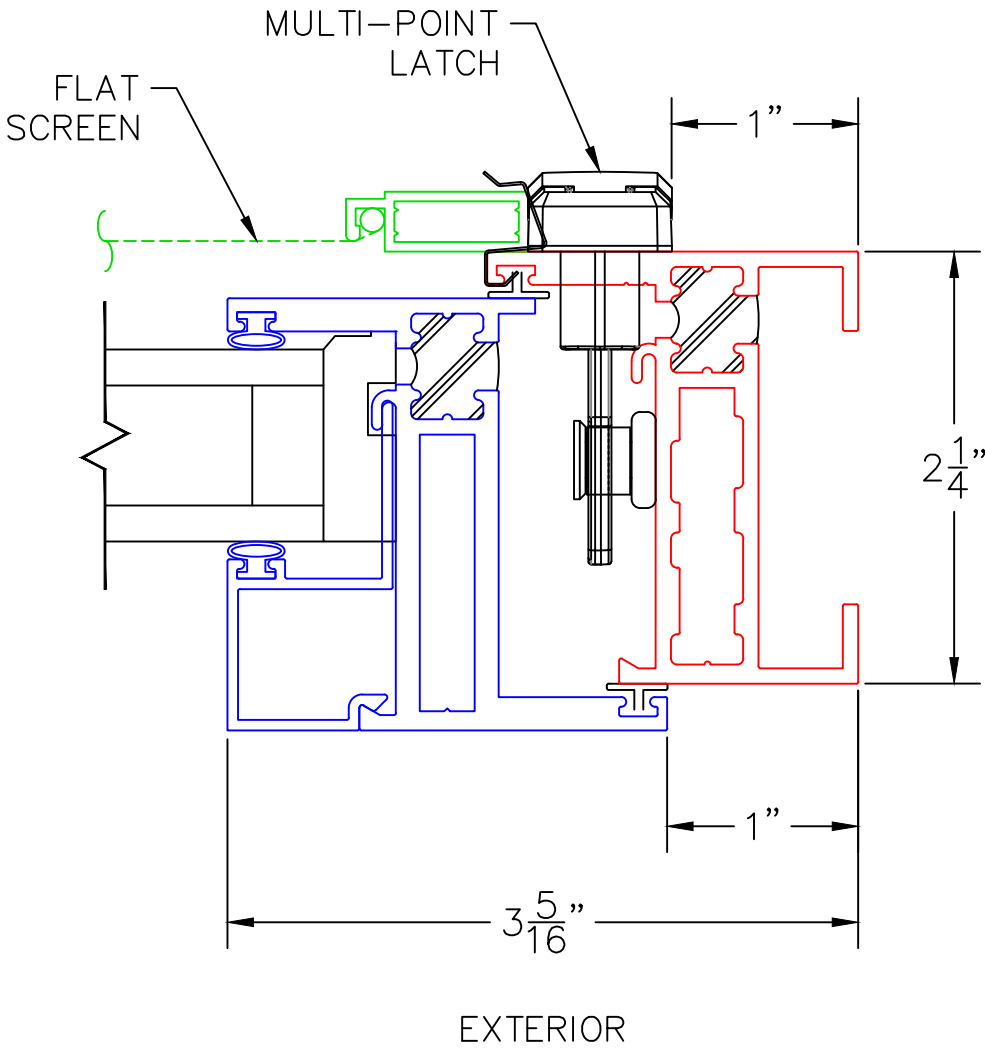


0 0.5 1
(USE RULER TO SCALE DIMENSIONS IN INCHES)
SCALE: FULL

CASEMENT WINDOW DETAILS
1" INSULATED GLAZING SHOWN

4

MULTIPOINT LATCH
REQ'D WITH
ROTO-OPERATOR

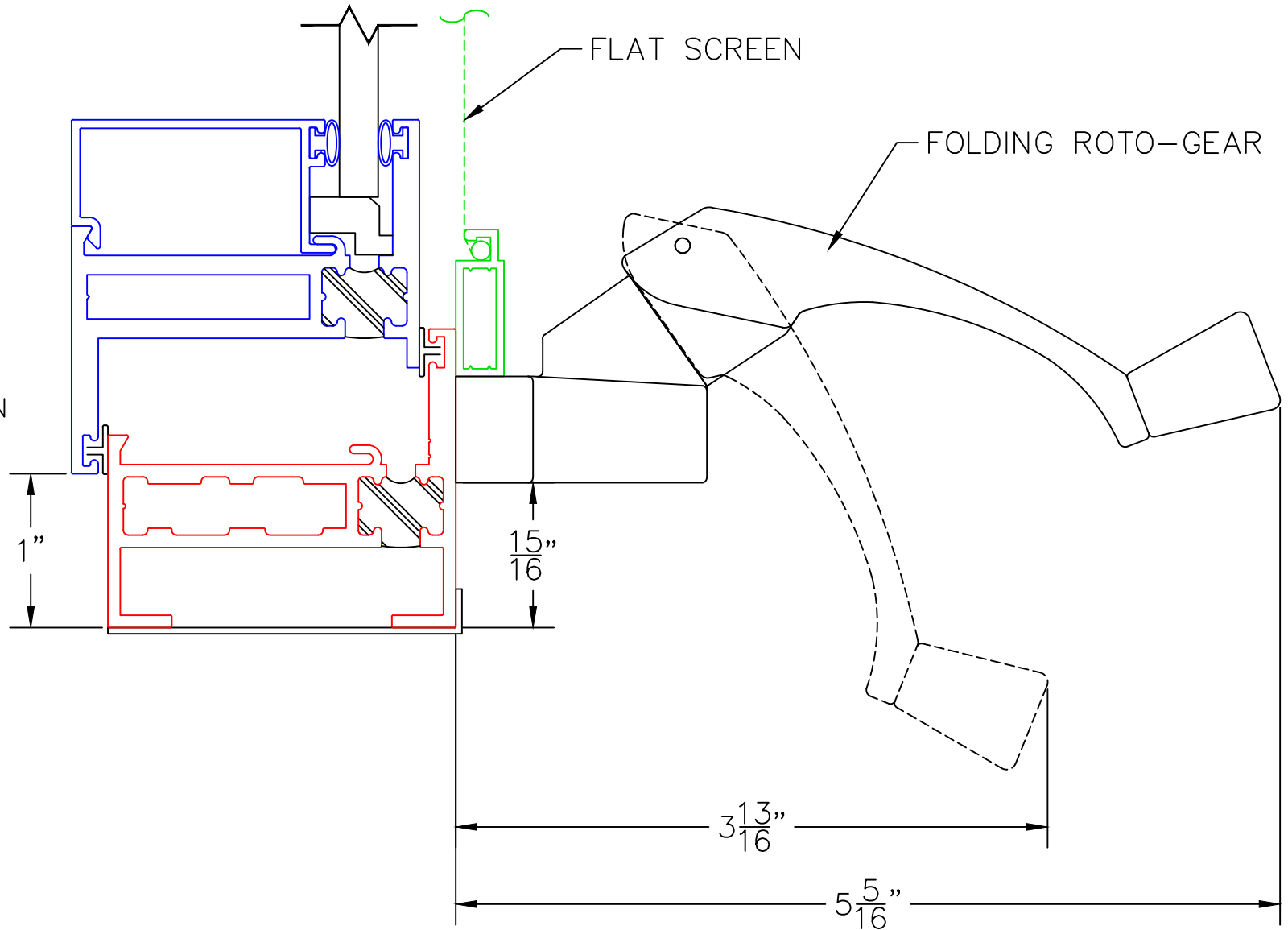


0 0.5 1
(USE RULER TO SCALE DIMENSIONS IN INCHES)
SCALE: FULL

CASEMENT WINDOW DETAILS 1/4" SINGLE GLAZING SHOWN

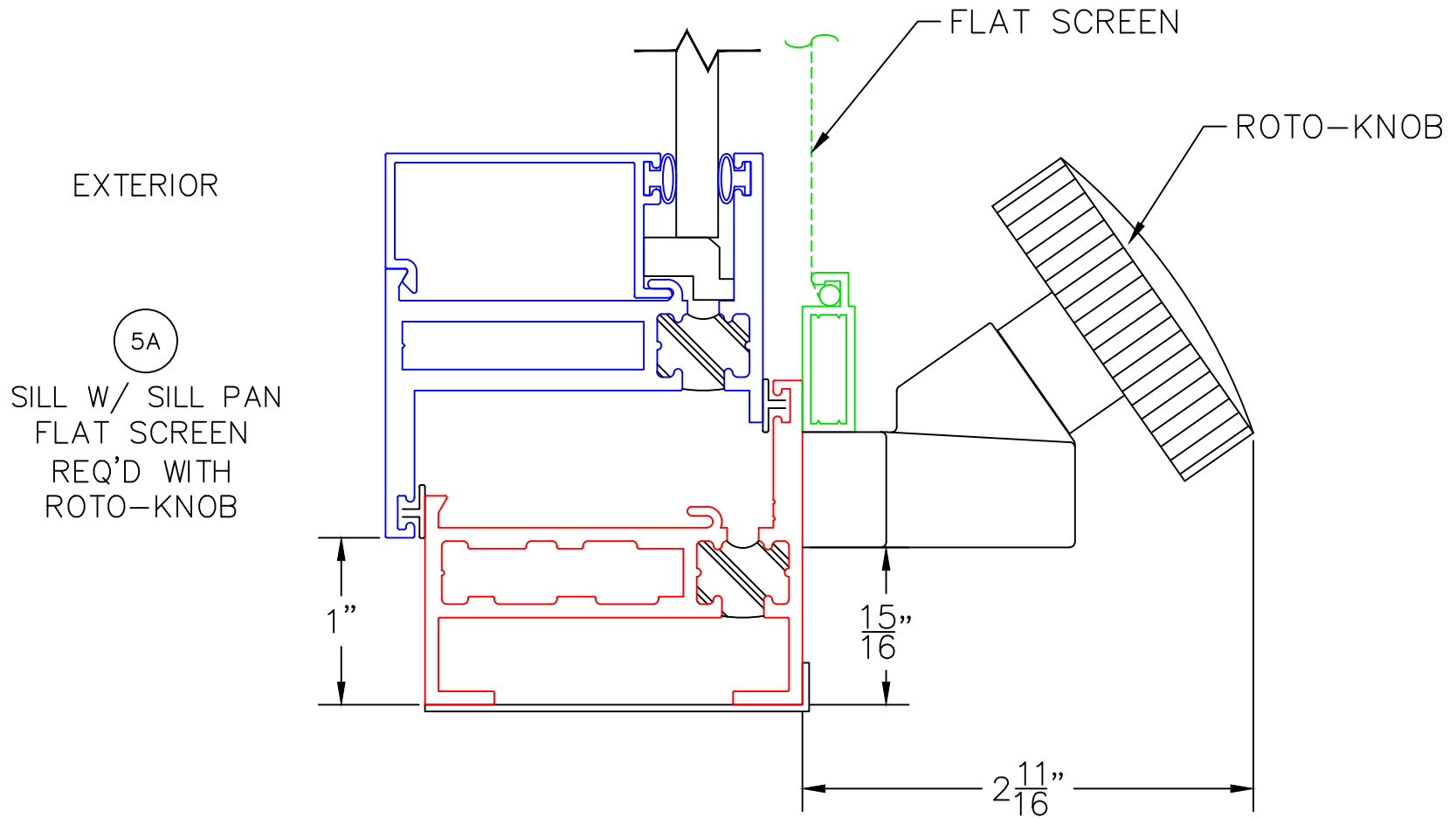
EXTERIOR

5
SILL W/ SILL PAN
FLAT SCREEN
REQ'D WITH
ROTO-GEAR



0 0.5 1
(USE RULER TO SCALE DIMENSIONS IN INCHES)
SCALE: FULL

CASEMENT WINDOW DETAILS 1/4" SINGLE GLAZING SHOWN



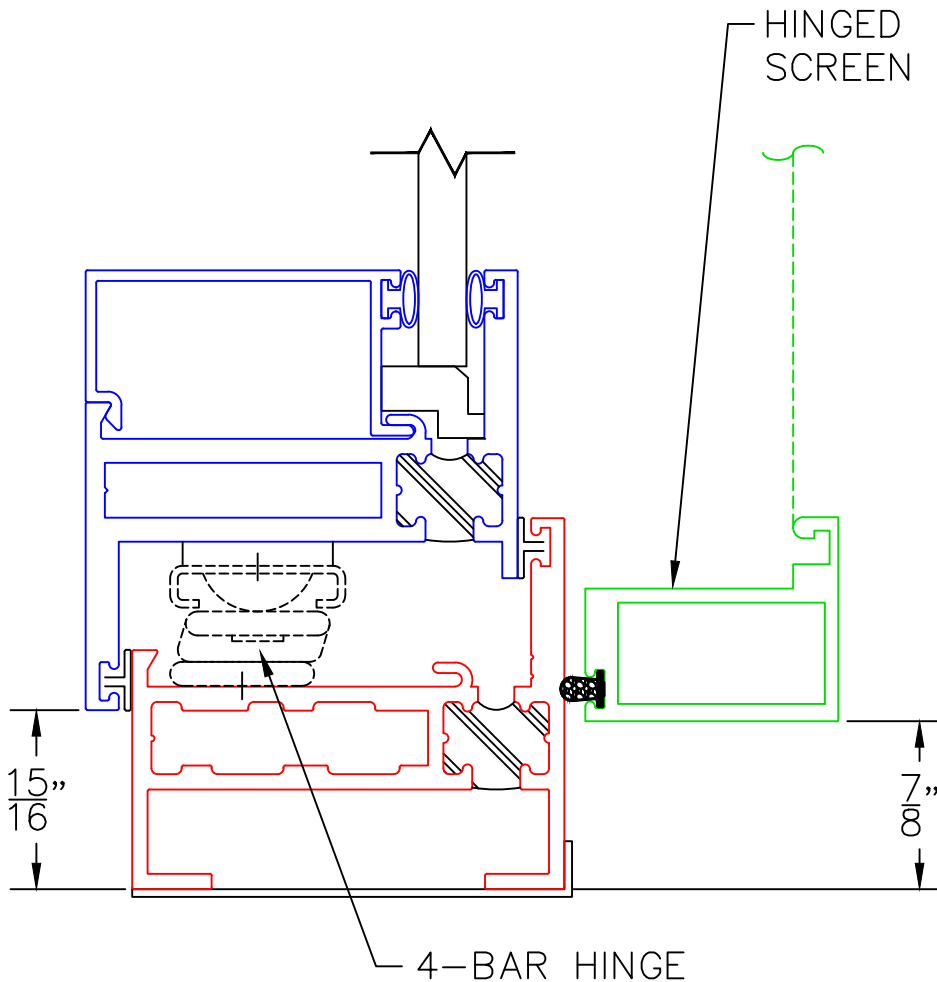
0 0.5 1
(USE RULER TO SCALE DIMENSIONS IN INCHES)
SCALE: FULL

CASEMENT WINDOW DETAILS
1/4" SINGLE GLAZING SHOWN

EXTERIOR

6

SILL W/ SILL PAN
4-BAR HINGE
REQ'D WITH
CAM HANDLE

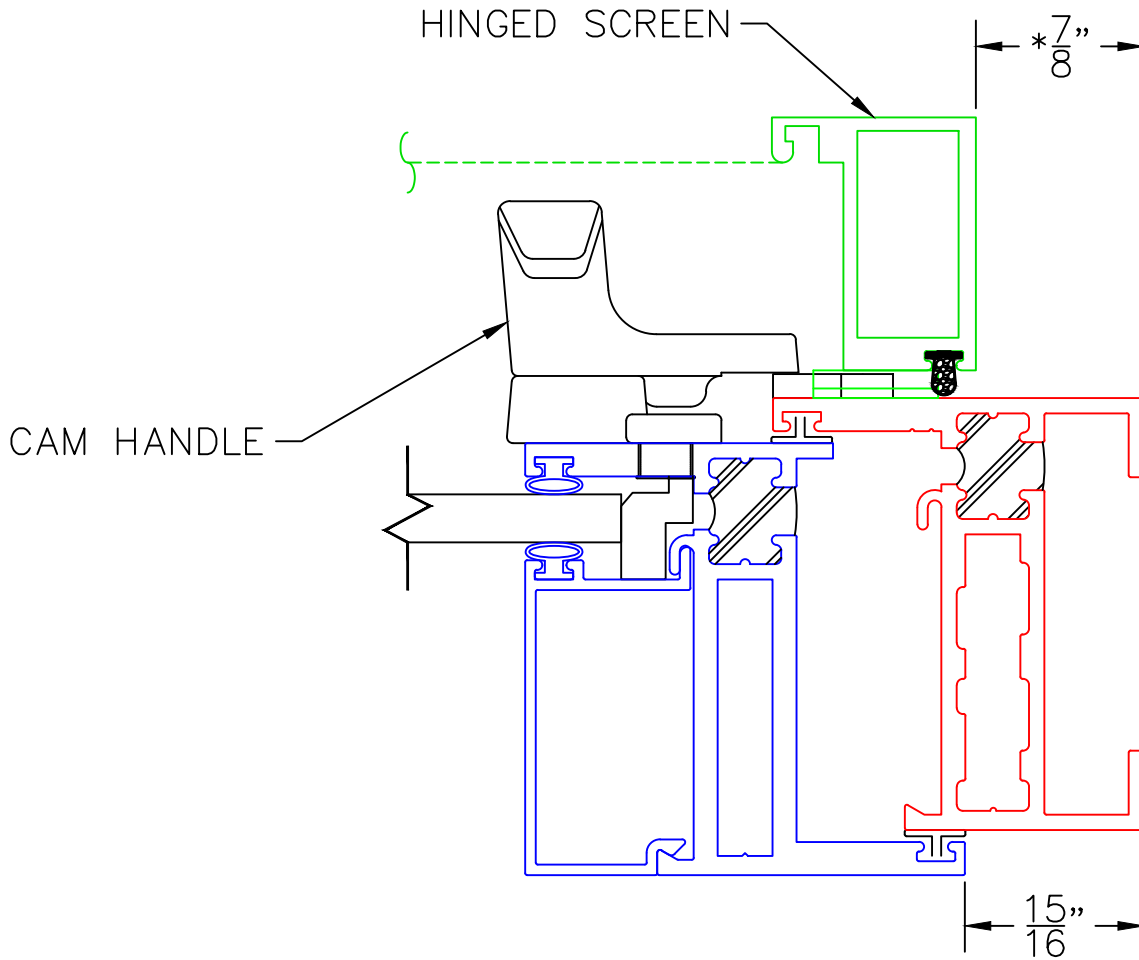


0 0.5 1
(USE RULER TO SCALE DIMENSIONS IN INCHES)
SCALE: FULL

CASEMENT WINDOW DETAILS
1/4" SINGLE GLAZING SHOWN

7

JAMB
HINGED SCREEN
REQ'D WITH
CAM HANDLE



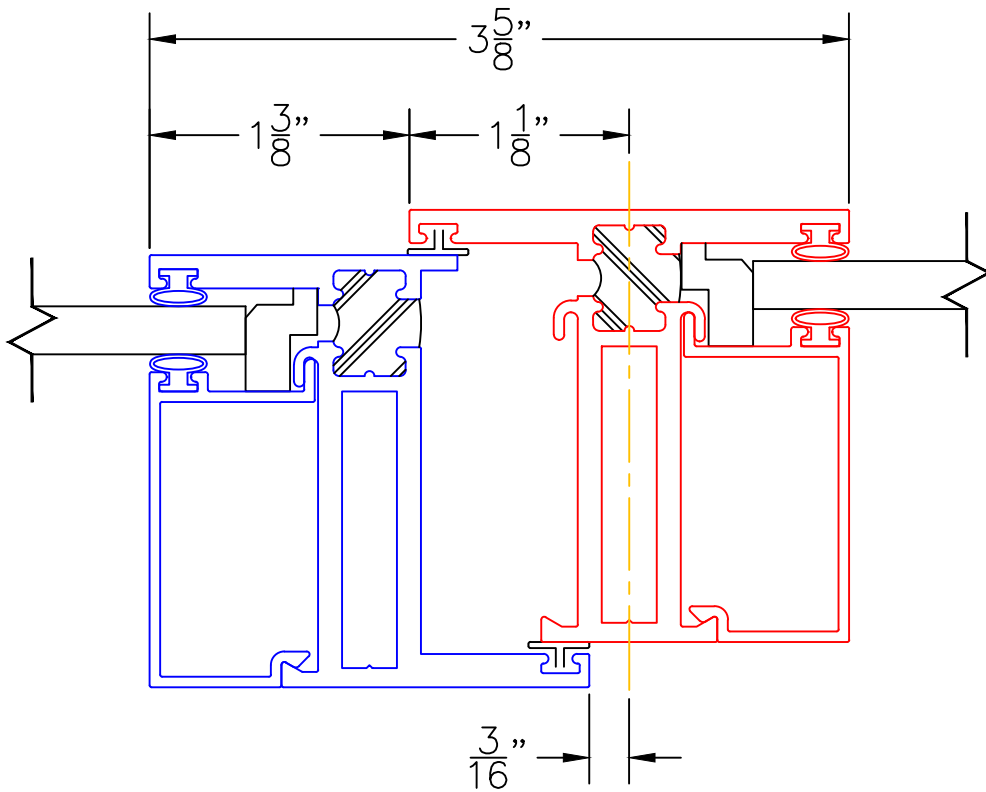
EXTERIOR

*NOTE: 1/2" CLEARANCE WITH MULTI-POINT LOCK AT JAMB

0 0.5 1
 (USE RULER TO SCALE DIMENSIONS IN INCHES)
SCALE: FULL

CASEMENT WINDOW DETAILS
 1/4" SINGLE GLAZING SHOWN

8
 CO
 MULLION

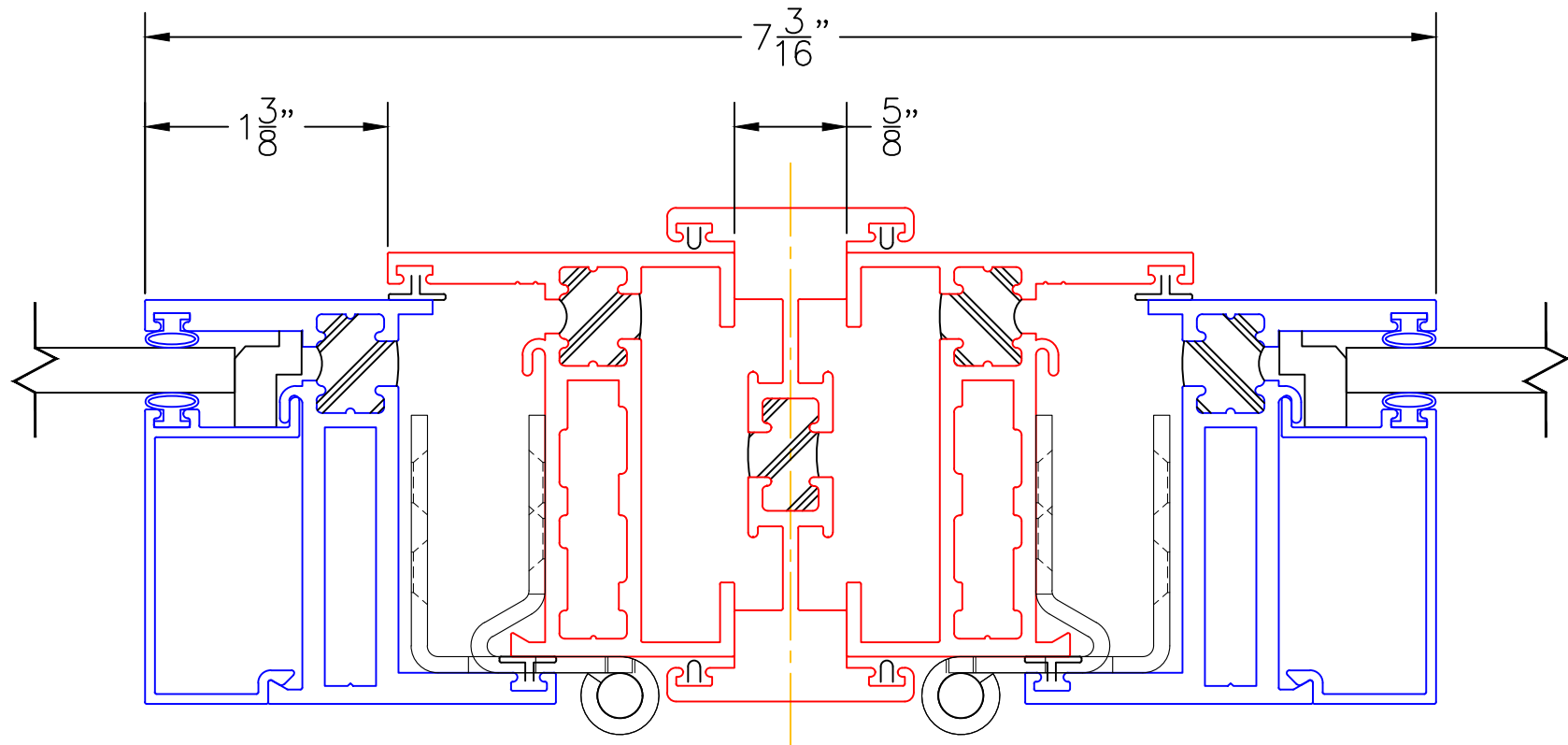


EXTERIOR

0 0.5 1
(USE RULER TO SCALE DIMENSIONS IN INCHES)
SCALE: FULL

CASEMENT WINDOW DETAILS 1/4" SINGLE GLAZING SHOWN

9
C/C
JAMB MULLION

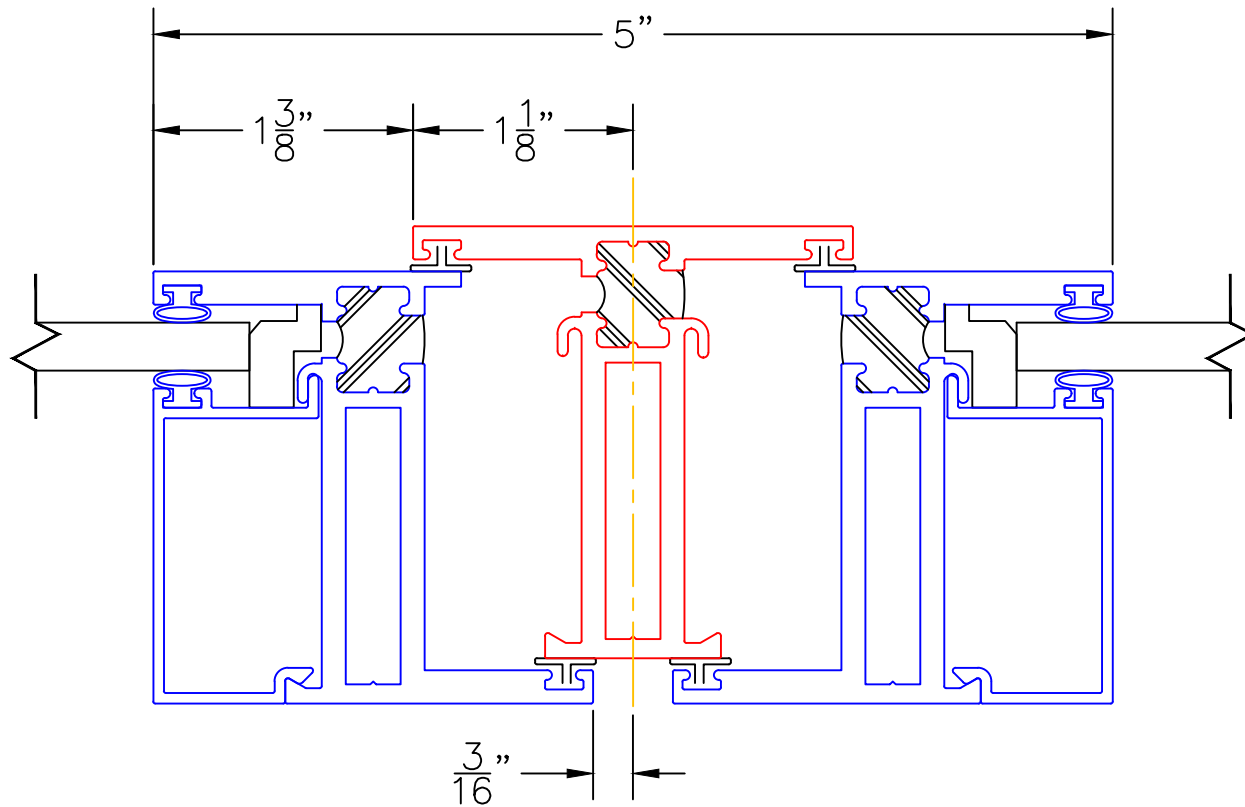


EXTERIOR

CASEMENT WINDOW DETAILS 1/4" SINGLE GLAZING SHOWN

0 0.5 1
(USE RULER TO SCALE DIMENSIONS IN INCHES)
SCALE: FULL

10
CC
MULLION



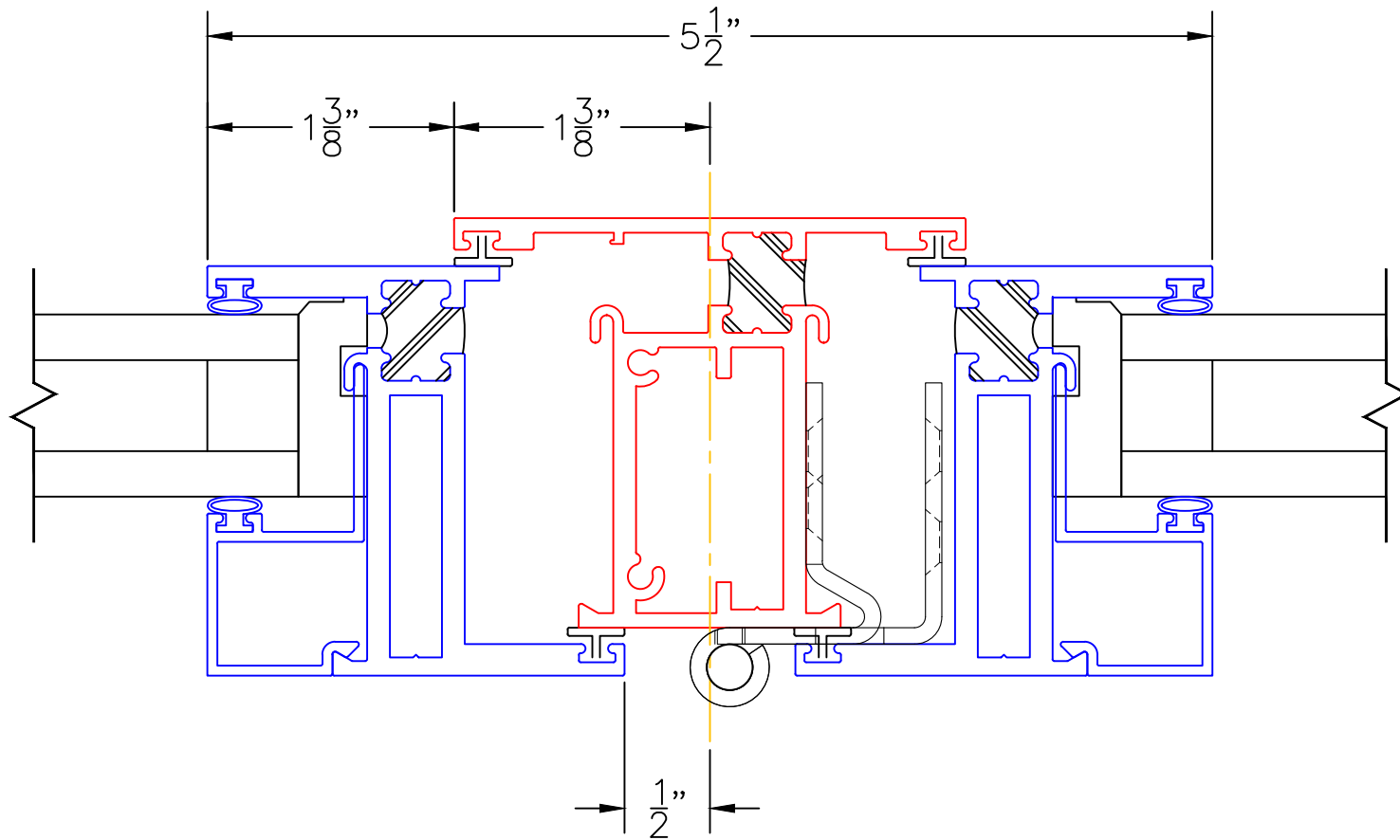
EXTERIOR

CASEMENT WINDOW DETAILS 1" INSULATED GLAZING SHOWN

0 0.5 1
(USE RULER TO SCALE DIMENSIONS IN INCHES)
SCALE: FULL

11

CLCL MULLION
AT BUTT-HINGE



EXTERIOR