

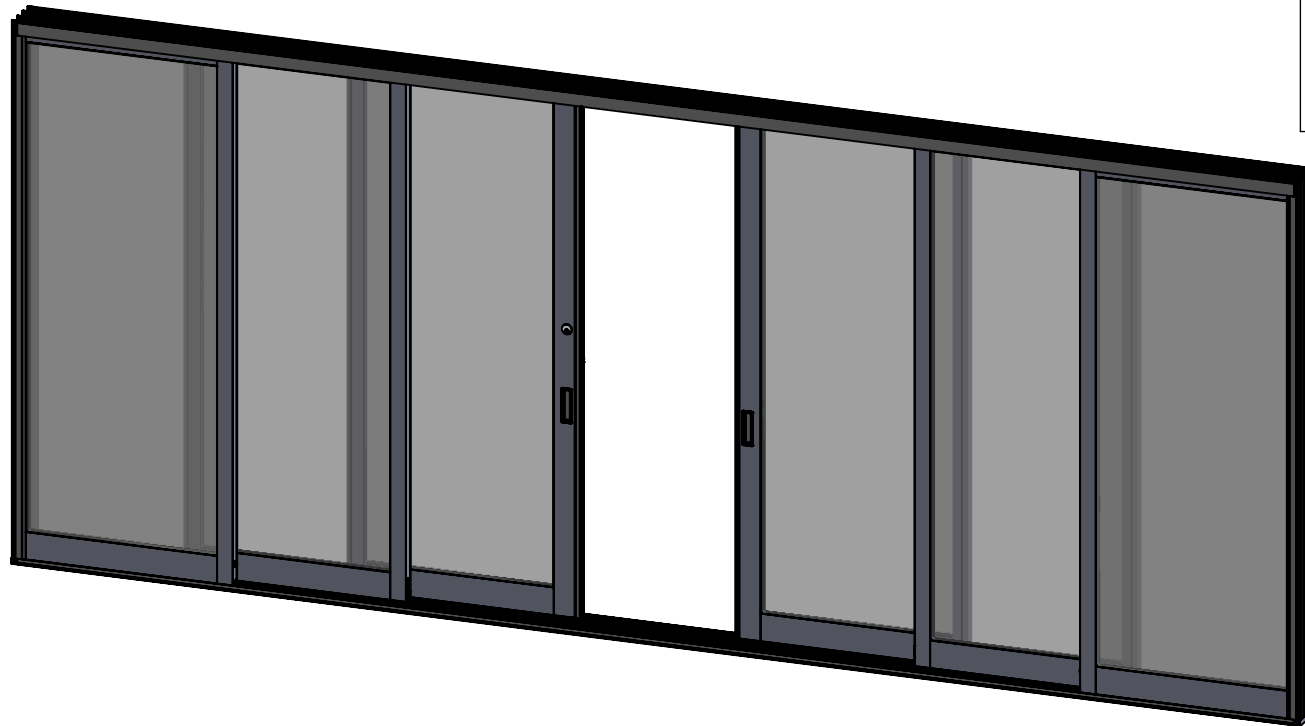
ASSEMBLY / PARTS LIST (B.O.M.)

Series: 1070
Type: OXXIXO Configuration

TABLE OF CONTENTS		
ITEM NO.	PART	PAGE NO.
1	Frame Assembly	2-3
2	Panel 1 Assembly	4
3	Panel 2 Assembly	5
4	Panel 3 Assembly	6-7
5	Panel 4 Assembly	8-9
6	Panel 5 Assembly	See Panel 2
7	Panel 6 Assembly	See Panel 1

NOTES:

1. OXXIXO Configuration shown
2. Relative to the exterior, numbering of panels from the left
3. Panels 1, 2, 3 stack to the interior
4. Panels 4, 5, 6 stack to the exterior

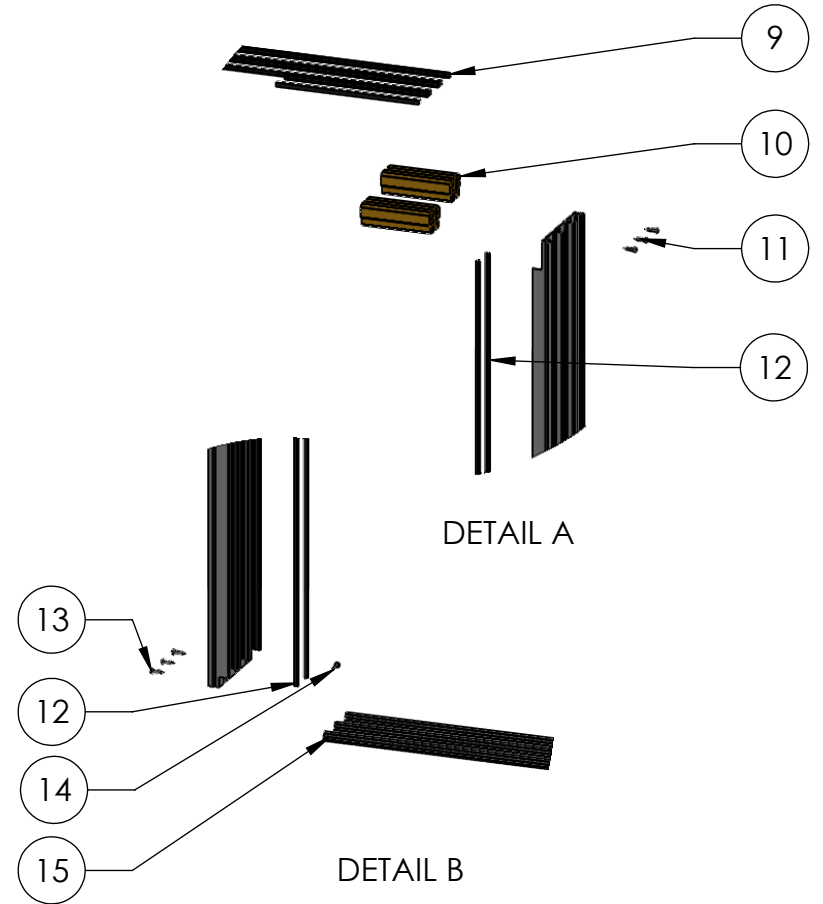
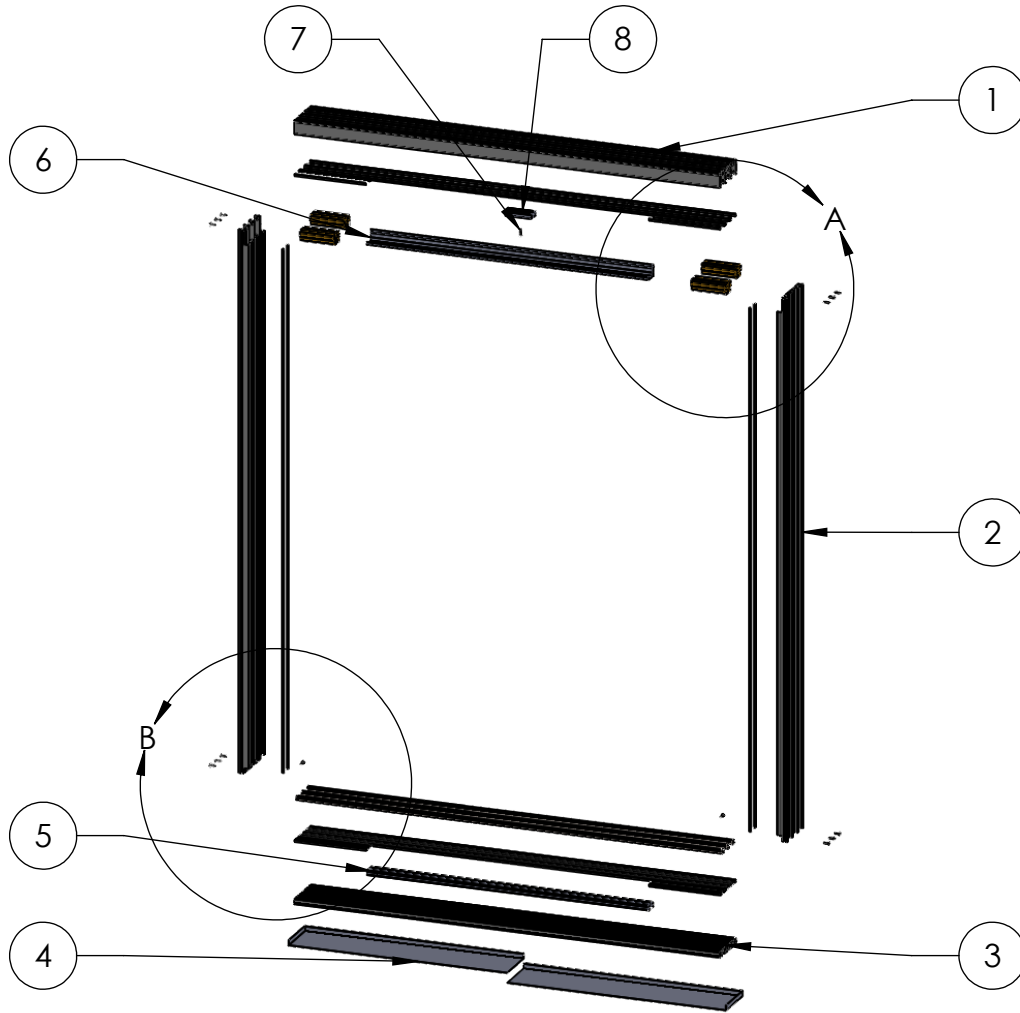


Description	
Series 1070 Table of Contents	
File Name	REV
Series 1070 OXXIXO Assembly	-
Released	8/22/2017
SHEET 1 OF 9	

ASSEMBLY / PARTS LIST (B.O.M.)

NOTES:

1. Frame Assembly is scaled down to show detail



PROPRIETARY AND CONFIDENTIAL
 THE INFORMATION CONTAINED IN THIS DRAWING IS THE SOLE PROPERTY OF FLEETWOOD WINDOWS & DOORS.
 ANY REPRODUCTION IN PART OR AS A WHOLE WITHOUT THE WRITTEN PERMISSION OF FLEETWOOD WINDOWS & DOORS IS PROHIBITED.

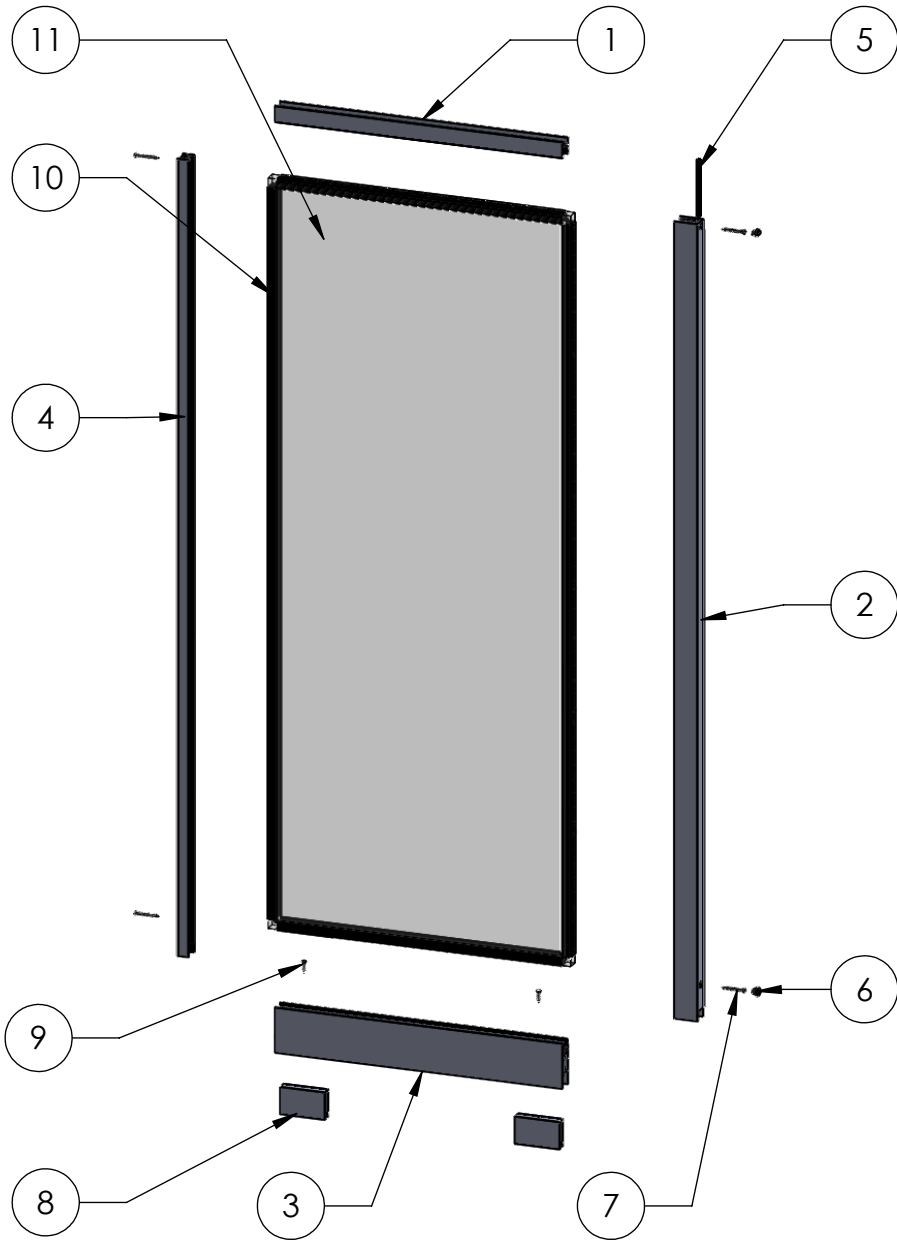
Description Frame Assembly	
File Name Series 1070 OXXIXXO Assembly	REV -
Released 8/22/2017	SHEET 2 OF 9

ASSEMBLY / PARTS LIST (B.O.M.)

EXTRUSIONS			
ITEM NO.	PART NUMBER	DESCRIPTION	QTY.
1	3703	Multi-Slide Head (3 Track)	1
2	3713	Multi-Slide Jamb (3 Track)	2
3	3743	Multi-Slide Sill (3 Track)	1
4	3720	Sillpan	2
5	3747	Sill Filler	2
6	3014	Head Filler Closer	1
HARDWARE			
ITEM NO.	PART NUMBER	DESCRIPTION	QTY.
7	20247	No. 8, FHP Screw, 1 in.	1
8	3040	Head Antilift	1
9	19118	Large Fin Seal (29027045bkqb)(7578)	24
10	25350	Honeycomb Head Bumper 4.625"	4
11	20345	#10 PHP - A, 3/4", Zinc, Clear	6
12	2575	Q-Lon Foam Seal (Q200T270)	4
13	20347	#10 PHP - A, 0.75 in, SS, Clear	6
14	20312	#8 PHP - TEK, 3/4", SS, Clear	2
15	23006	Standard Stainless Steel Track Insert	3

Description Frame Assembly B.O.M	
File Name Series 1070 OXXIXXO Assembly	REV -
Released 8/22/2017	SHEET 3 OF 9

ASSEMBLY / PARTS LIST (B.O.M.)



EXTRUSIONS

ITEM NO.	PART NUMBER	DESCRIPTION	QTY.
1	3004	Top Rail DG	1
2	3006	Interlock DG	1
3	3709	Bottom Rail DG	1
4	3008	Fixed Stile DG	1

HARDWARE

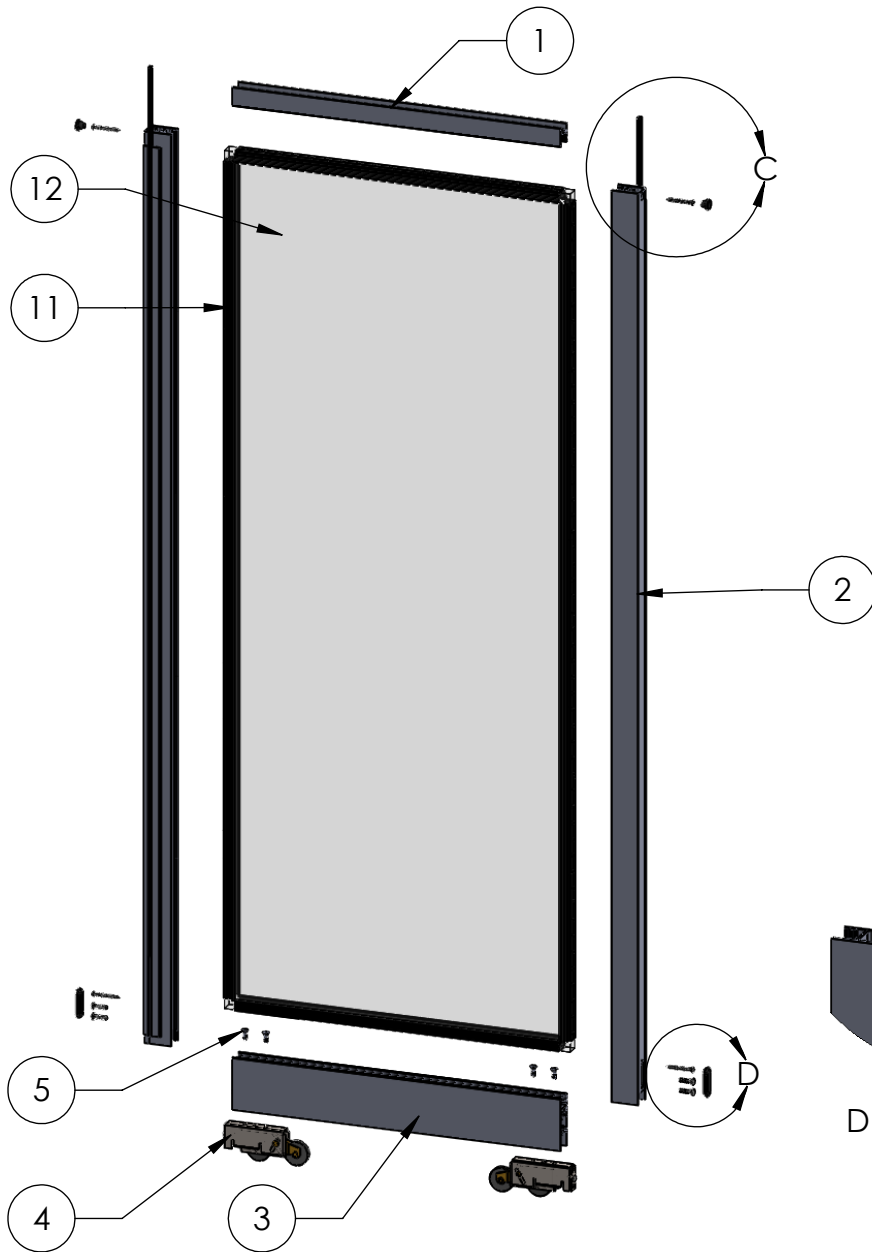
ITEM NO.	PART NUMBER	DESCRIPTION	QTY.
5	19117	Large Fin Seal Mohair (23027045BKGB)	1
6	20635	Small Round Panel Plug (All Doors)	2
7	20355	#10 PHP -A, 2", SS, Clear	4
8	25613	Fixed Panel Block	2
9	20293	#10 FHP-A, 1", SS, Clear	2
10	22909	1 inch Glazing Vinyl (Shown)	1
11	-	Glass	1

NOTES:

1. Interior Stacking Shown
2. Panel 6 orientation of Interlock DG is flipped for exterior stacking

Description Panel 1 Assembly	
File Name Series 1070 OXXIXO Assembly	REV -
Released 8/22/2017	SHEET 4 OF 9

ASSEMBLY / PARTS LIST (B.O.M.)



BOM Table

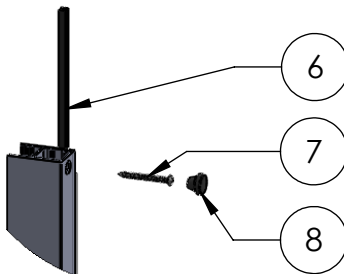
ITEM NO.	PART NUMBER	DESCRIPTION	QTY.
1	3004	Top Rail DG	1
2	3006	Interlock DG	2
3	3709	Multislide Bottom Rail DG	1

BOM Table

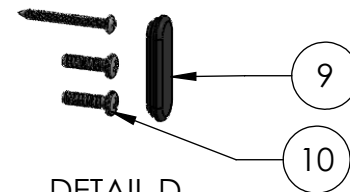
ITEM NO.	PART NUMBER	DESCRIPTION	QTY.
4	20514	Precision Roller Assy	2
5	20305	#1/4-20 FHP - B, 3/4", SS Clear	4
6	19117	Large Fin Seal Mohair (23027045BKGB)	2
7	20355	#10 PHP -A, 2", SS, Clear	4
8	20635	Small Round Panel Plug (All Doors)	2
9	18630	Oval Panel Plug	2
10	20359	#1/4-20 PHP - B, 1", SS, Clear	4
11	22909	1 inch Glazing Vinyl (Shown)	1
12	-	Glass	1

NOTES:

1. Interior Stacking Shown
2. Panel 5 orientation of Interlock DG is flipped for exterior stacking



DETAIL C



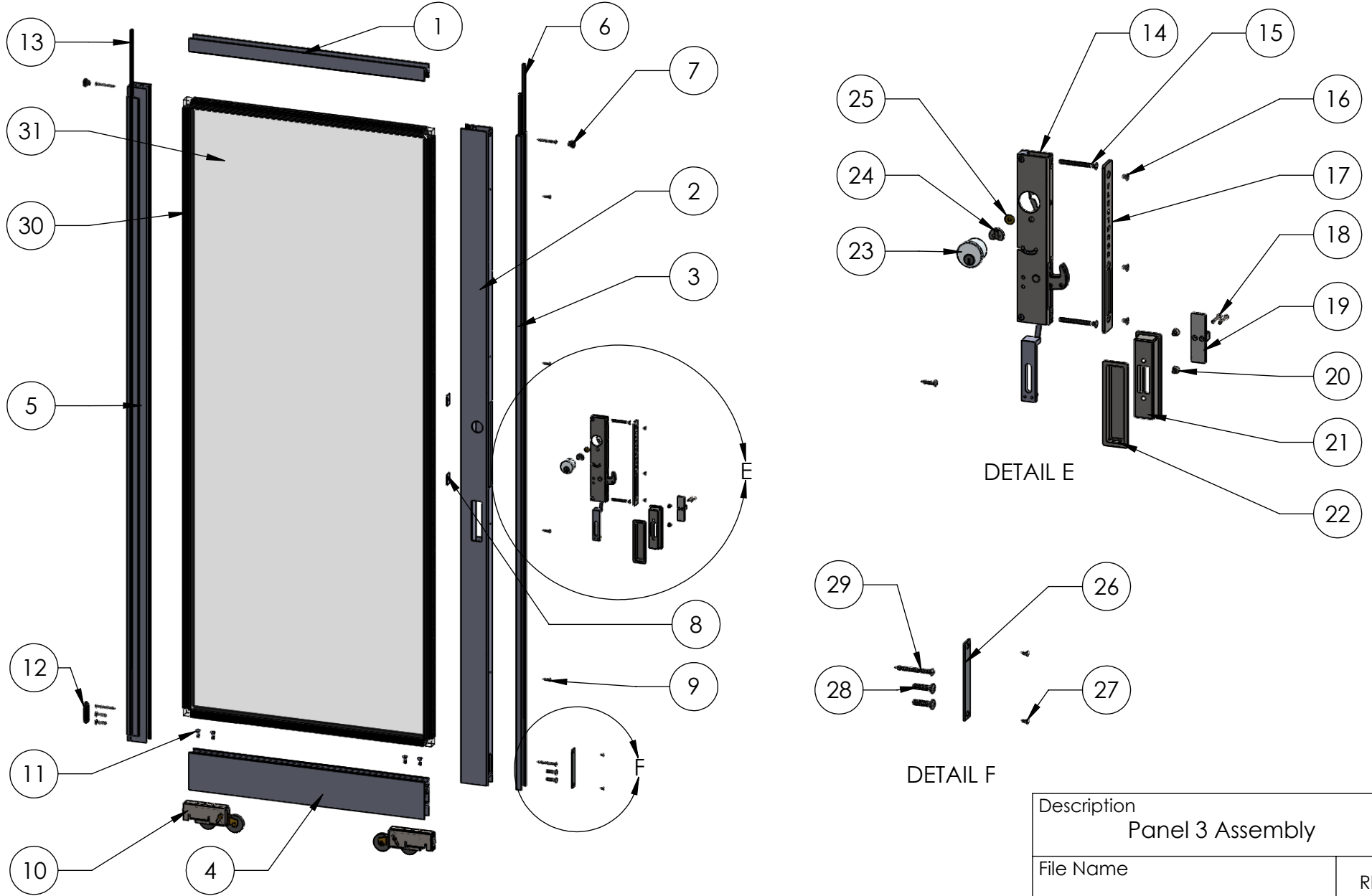
DETAIL D

PROPRIETARY AND CONFIDENTIAL

THE INFORMATION CONTAINED IN THIS DRAWING IS THE SOLE PROPERTY OF FLEETWOOD WINDOWS & DOORS. ANY REPRODUCTION IN PART OR AS A WHOLE WITHOUT THE WRITTEN PERMISSION OF FLEETWOOD WINDOWS & DOORS IS PROHIBITED.

Description Panel 2 Assembly	
File Name Series 1070 OXXIXXO Assembly	REV -
Released 8/22/2017	SHEET 5 OF 9

ASSEMBLY / PARTS LIST (B.O.M.)



PROPRIETARY AND CONFIDENTIAL
 THE INFORMATION CONTAINED IN THIS DRAWING IS THE SOLE PROPERTY OF FLEETWOOD WINDOWS & DOORS.
 ANY REPRODUCTION IN PART OR AS A WHOLE WITHOUT THE WRITTEN PERMISSION OF FLEETWOOD WINDOWS & DOORS IS PROHIBITED.

Description	
Panel 3 Assembly	
File Name	REV
Series 1070 OXXIXXO Assembly	-
Released 8/22/2017	SHEET 6 OF 9

ASSEMBLY / PARTS LIST (B.O.M.)

EXTRUSIONS

ITEM NO.	PART NUMBER	DESCRIPTION	QTY.
1	3004	Top Rail DG	1
2	3005	Lock Stile DG	1
3	3040	Female Yoke	1
4	3709	Multislide Bottom Rail DG	1
5	3006	Interlock DG	1

HARDWARE

ITEM NO.	PART NUMBER	DESCRIPTION	QTY.
6	19118	Small Fin Seal Mohari (23027045BKQB)	2
7	20635	Small Round Panel Plug (All Doors)	2
8	18671	Back Up Plate # 10-32 x 0.075 Thk.	2
9	20314	#8 PHP-A Screw, .75 in, SS, Clear	Varies
10	20514	Precision Roller Assy	2
11	20305	#1/4-20 FHP - B, 3/4", SS Clear	4
12	18630	Oval Panel Plug	1
13	19117	Large Fin Seal Mohair (23027045BKGB)	1
14	25319,25320	Archetype Narrow Flush Latch (XO, OX Configuration)	1
15	25349	FHP Machine Screw 10-32, 1.125"	2
16	24076	#8-32 FH Socket Cap Screw, 3/8",SS	3
17	25309	Archetype Narrow Latch Face Plate	1

HARDWARE

ITEM NO.	PART NUMBER	DESCRIPTION	QTY.
18	25327	#6-32 Hex Socket Head Cap Screw, 7/8", Silver	2
19	25916	Archetype Narrow Flush Actuator with Exposed Fasteners	1
20	25324	#8-32 FHS, 3/8" Long, Countersink Screw (Silver)	2
21	25313	Archetype Narrow Flush Int. Pocket, Silver	1
22	25310	Archetype Narrow Flush Ext. Pocket, Silver	1
23	25426, 25427	Archetype Narrow Keyed Cylinder (KD, KA) (Silver)	1
24	24780	Cam - (for the Archetype Key Cylinder)	1
25	25681	Bushing-Key Cyl. - Narrow Arch.	1
26	25035	Meeting Stile Bumper Cover Plate	1
27	20901	#6 X 3/8" UC FHSM	2
28	20359	#1/4-20 PHP - B, 1", SS, Clear	4
29	20355	#10 PHP -A, 2", SS, Clear	4
30	22909	1 inch Glazing Vinyl (Shown)	1
31	-	Glass	1

Description
Panel 3 Assembly B.O.M.

File Name

Series 1070 OXXIXXO Assembly

REV

-

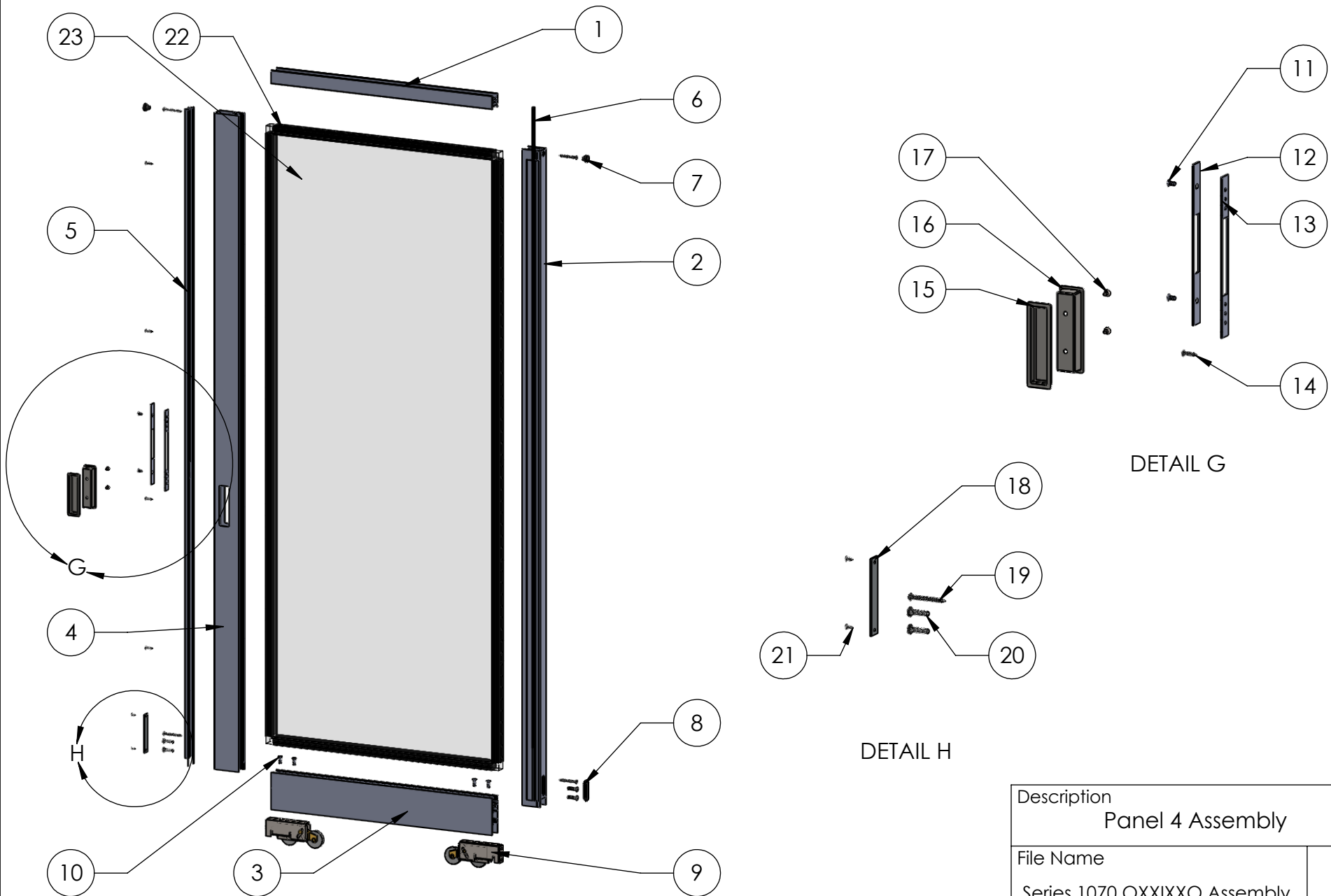
PROPRIETARY AND CONFIDENTIAL

THE INFORMATION CONTAINED IN THIS DRAWING IS THE SOLE PROPERTY OF FLEETWOOD WINDOWS & DOORS.
ANY REPRODUCTION IN PART OR AS A WHOLE WITHOUT THE WRITTEN PERMISSION OF FLEETWOOD WINDOWS & DOORS IS PROHIBITED.

Released 8/22/2017

SHEET 7 OF 9

ASSEMBLY / PARTS LIST (B.O.M.)



DETAIL G

DETAIL H

PROPRIETARY AND CONFIDENTIAL
 THE INFORMATION CONTAINED IN THIS DRAWING IS THE SOLE PROPERTY OF FLEETWOOD WINDOWS & DOORS.
 ANY REPRODUCTION IN PART OR AS A WHOLE WITHOUT THE WRITTEN PERMISSION OF FLEETWOOD WINDOWS & DOORS IS PROHIBITED.

Description Panel 4 Assembly	
File Name Series 1070 OXXIXXO Assembly	REV -
Released 8/22/2017	SHEET 8 OF 9

ASSEMBLY / PARTS LIST (B.O.M.)

EXTRUSIONS

ITEM NO.	PART NUMBER	DESCRIPTION	QTY.
1	3004	Top Rail DG	1
2	3006	Interlock DG	1
3	3709	Multislide Bottom Rail DG	1
4	3005	Lock Stile DG	1
5	3039	Male Yoke	1

HARDWARE

ITEM NO.	PART NUMBER	DESCRIPTION	QTY.
6	19117	Large Fin Seal Mohair (23027045BKGB)	1
7	20635	Small Round Panel Plug (All Doors)	2
8	18630	Oval Panel Plug	1
9	20514	Precision Roller Assy	2
10	20305	#1/4-20 FHP - B, 3/4", SS Clear	4

HARDWARE

ITEM NO.	PART NUMBER	DESCRIPTION	QTY.
11	20266	Screw No.10-32, Flat Undercut Head Phil.,0.375 In	2
12	24980	Strike Plate, Meeting Stile	1
13	24981	Strike Backup Plate, Meeting Stile	1
14	20314	#8 PHP-A Screw, .75 in, SS, Clear	Varies
15	25310	Archetype Narrow Flush Ext. Pocket, Silver	1
16	25364	Archetype Narrow Dummy Flush Int. Handle, Silver	1
17	25324	#8-32 FHS, 3/8" Long, Countersink Screw (Silver)	2
18	25035	Meeting Stile Bumper Cover Plate	1
19	20355	#10 PHP -A, 2", SS, Clear	4
20	20359	#1/4-20 PHP - B, 1", SS, Clear	4
21	20901	#6 X 3/8" UC FHSM	2
22	22909	1 inch Glazing Vinyl (Shown)	1
23	-	Glass	1

Description
Panel 4 Assembly B.O.M.

File Name
Series 1070 OXXIXXO Assembly

REV
-

Released 8/22/2017 SHEET 9 OF 9