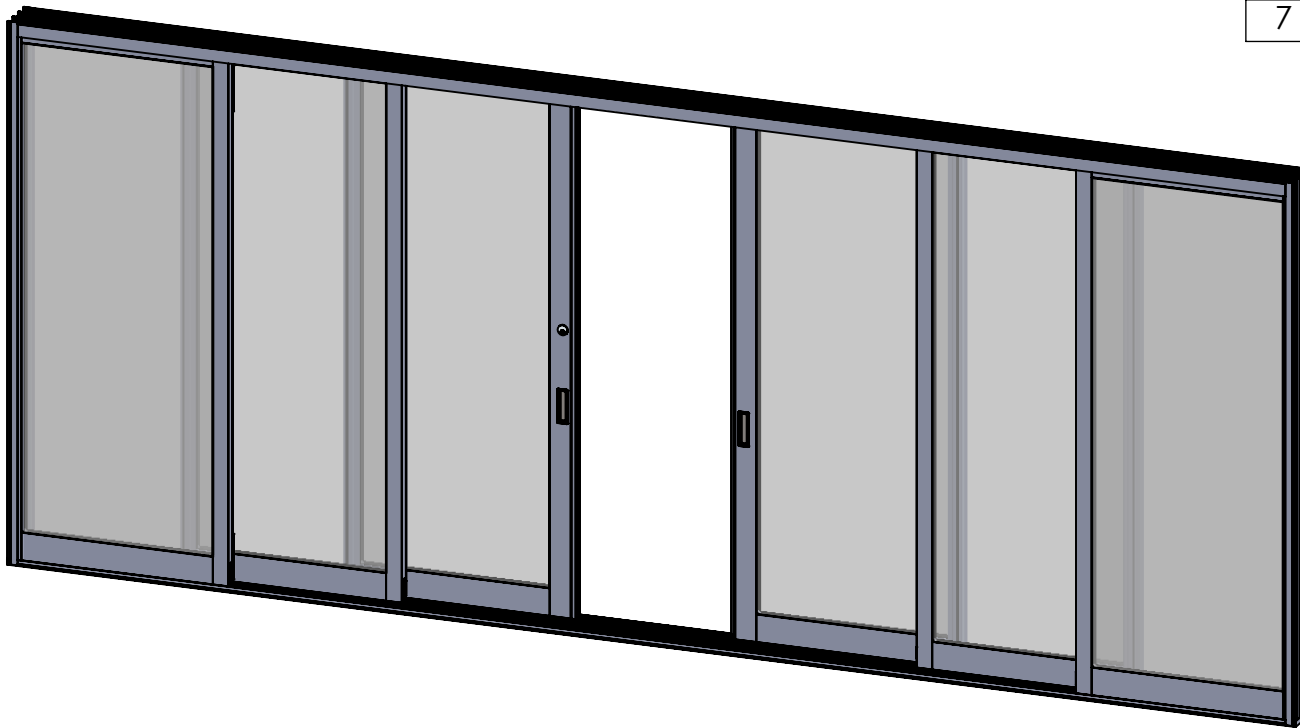


ASSEMBLY / PARTS LIST (B.O.M.)

Series: 1070
Type: OXXIXXO Configuration

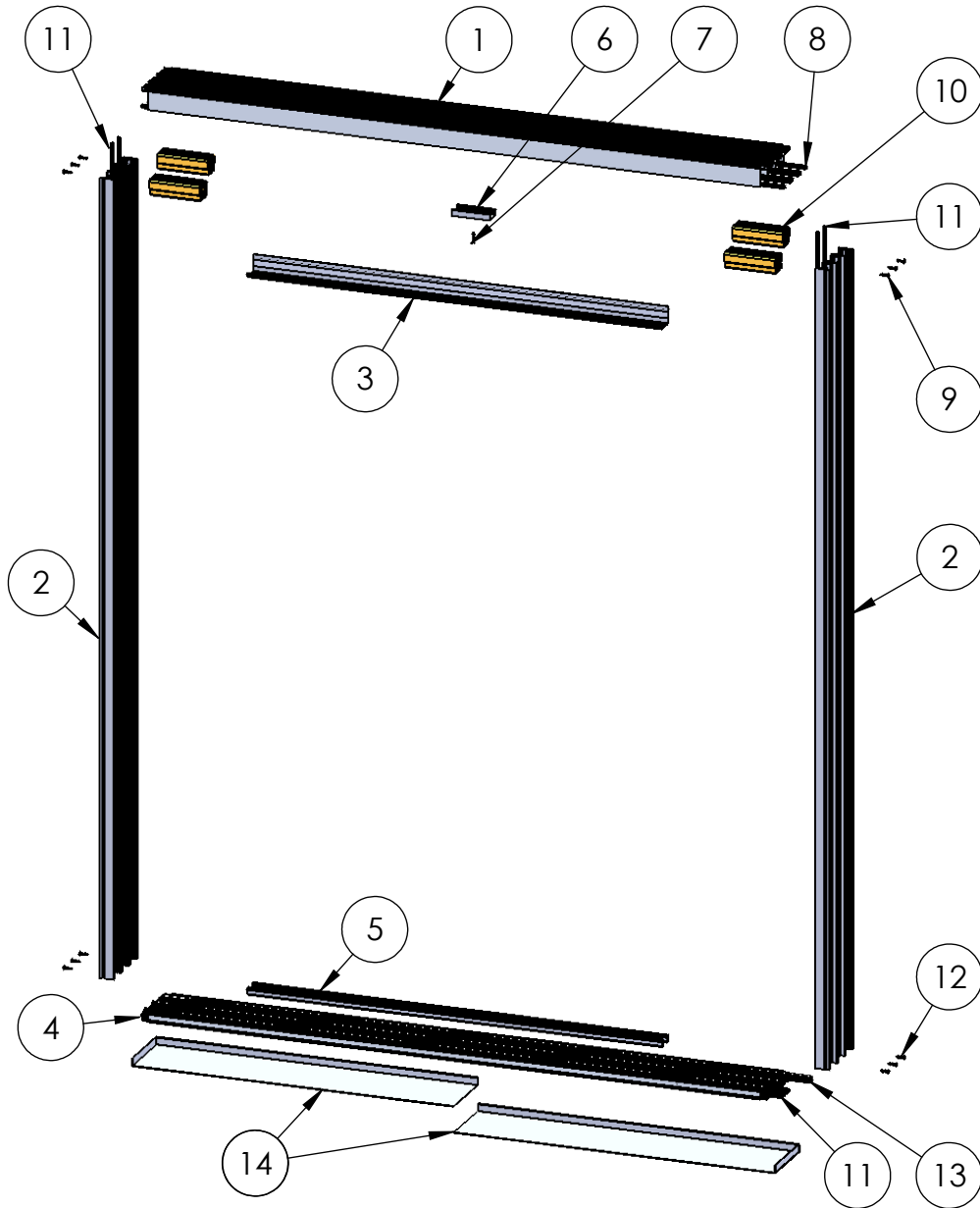
TABLE OF CONTENTS		
ITEM NO.	PART	PAGE NO.
1	Frame Assembly	2
2	Panel 1 Assembly	3
3	Panel 2 Assembly	4
4	Panel 3 Assembly	5-6
5	Panel 4 Assembly	7-8
6	Panel 5 Assembly	See Panel 2
7	Panel 6 Assembly	See Panel 1



- NOTES:**
- OXXIXXO Configuration shown
 - Relative to the exterior, numbering of panels from the left
 - Panels 1, 2, 3 stack to the interior
 - Panels 4, 5, 6 stack to the exterior

Description	
Table of Contents	
File Name	REV
Series 1070 OXXIXXO Assembly	-
Released	8/30/2018
SHEET 1 OF 8	

ASSEMBLY / PARTS LIST (B.O.M.)



EXTRUSIONS

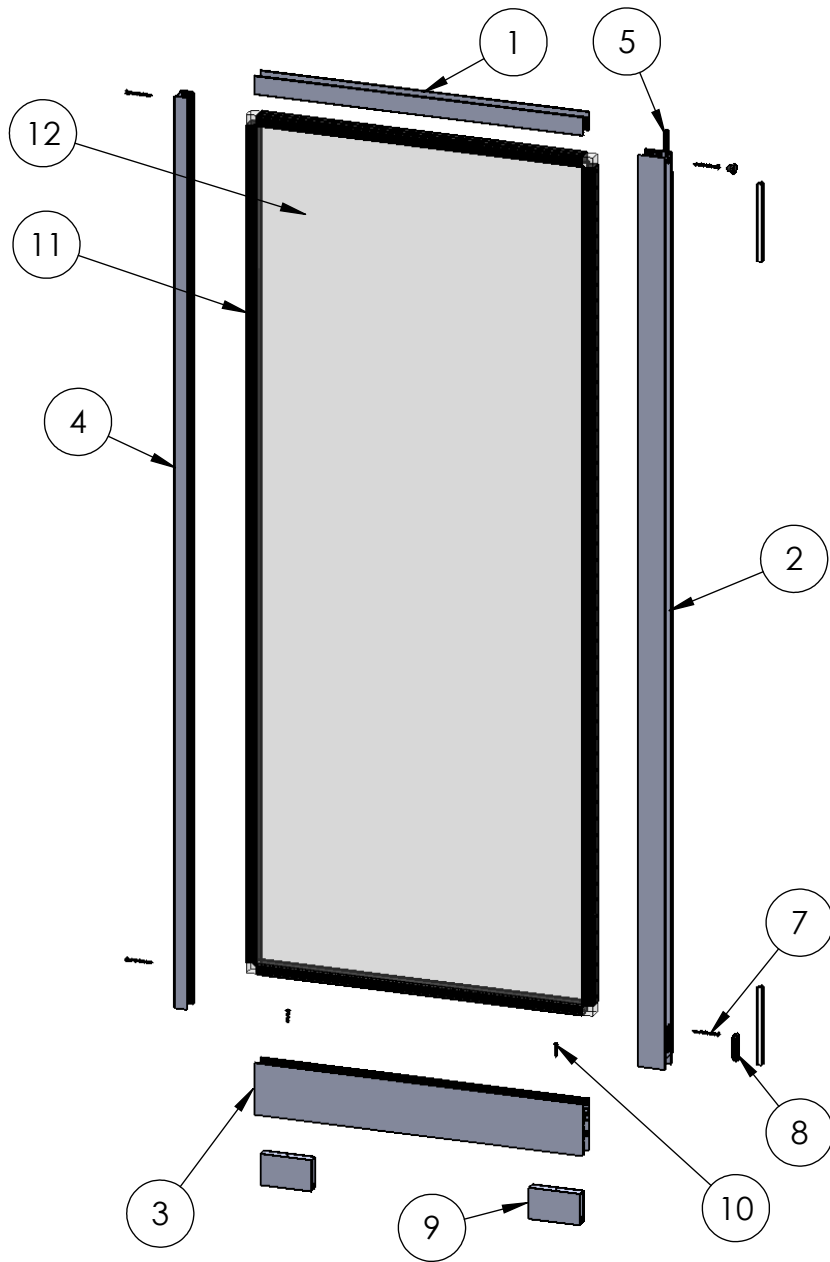
ITEM NO.	PART NUMBER	DESCRIPTION	QTY.
1	3703	Head (3 Track)	1
2	3713	Jamb (3 Track)	2
3	3014	Head Filler	1
4	3743	Sill (3 Track)	1
5	3747	Sill Filler	2

HARDWARE

ITEM NO.	PART NUMBER	DESCRIPTION	QTY.
6	24098	Head Antilift	1
7	20247	No. 8, FHP Screw, 1 in.	1
8	19118	Large Fin Seal (29027045bkqb) (7578)	12
9	20345	#10 PHP - A, 3/4", Zinc, Clear	6
10	25350	Honeycomb Head Bumper 4.625"	4
11	2575	Q-Lon Foam Seal (Q200T270)	4
12	20347	#10 PHP - A, 0.75 in, SS, Clear	6
13	23006	Stainless Steel Track	3
14	-	Sillpan	1

Description Frame Assembly	
File Name Series 1070 OXXIXO Assembly	REV -
Released 8/30/2018	SHEET 2 OF 8

ASSEMBLY / PARTS LIST (B.O.M.)



EXTRUSIONS

ITEM NO.	PART NUMBER	DESCRIPTION	QTY.
1	3004	Top Rail DG	1
2	3006		1
3	3709	Bottom Rail DG	1
4	3008	Fixed Stile DG	1

HARDWARE

ITEM NO.	PART NUMBER	DESCRIPTION	QTY.
5	19117	Large Fin Seal Mohair (23027045BKGB)	1
6	20635	Small Round Door Bumper	1
7	20355	#10 PHP -A, 2", SS, Clear	4
8	18630	Oval Plug- Short	1
9	25613	Fixed Panel Block	2
10	20293	#10 FHP-A, 1", SS, Clear	2
11	22909	1 inch Glazing Vinyl (Shown)	1
12	-	Glass	1
13	24653	Air Barrier Standard Interlock	2

NOTES:

1. Interior Stacking Shown.
2. Panel 6 orientation of Interlock is flipped for exterior stacking

Description
Panel 1 Assembly

File Name
Series 1070 OXXIXXO Assembly

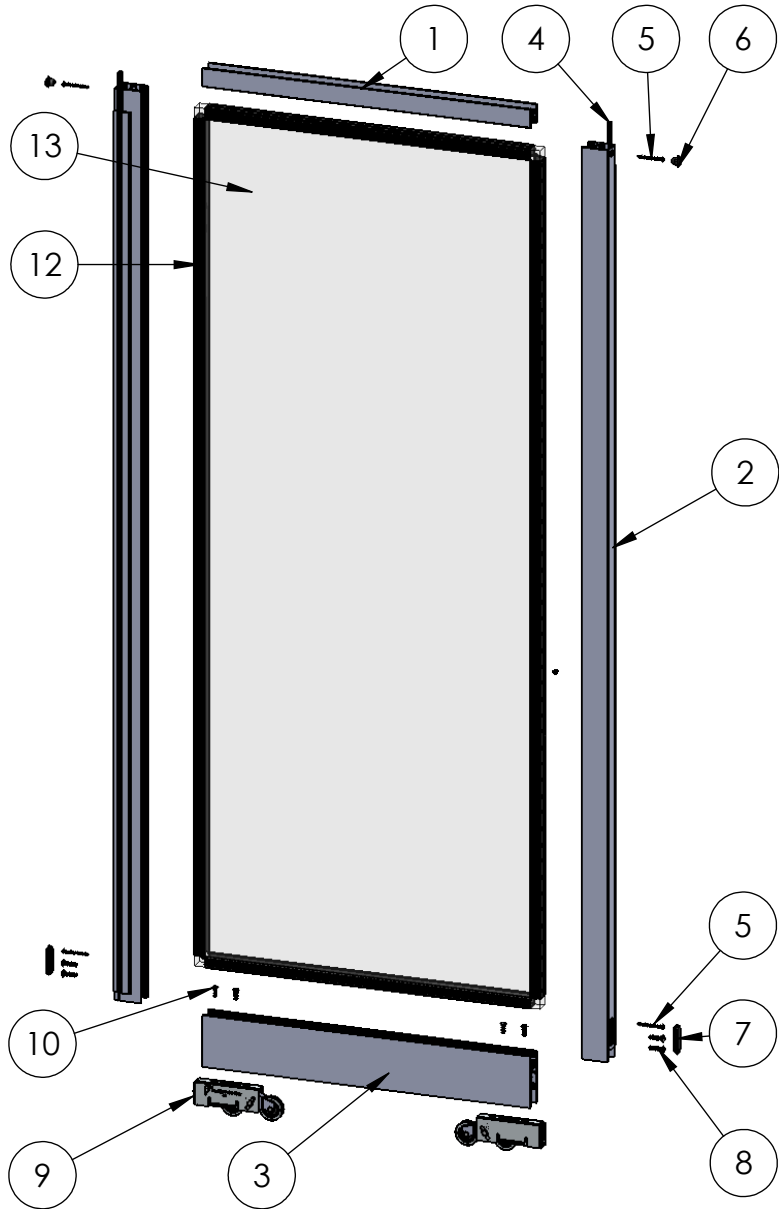
REV
-

Released 8/30/2018 SHEET 3 OF 8

PROPRIETARY AND CONFIDENTIAL

THE INFORMATION CONTAINED IN THIS DRAWING IS THE SOLE PROPERTY OF FLEETWOOD WINDOWS & DOORS.
ANY REPRODUCTION IN PART OR AS A WHOLE WITHOUT THE WRITTEN PERMISSION OF FLEETWOOD WINDOWS & DOORS IS PROHIBITED.

ASSEMBLY / PARTS LIST (B.O.M.)



EXTRUSIONS

ITEM NO.	PART NUMBER	DESCRIPTION	QTY.
1	3004	Top Rail DG	1
2	3006	Interlocker	2
3	3709	Bottom Rail	1

HARDWARE

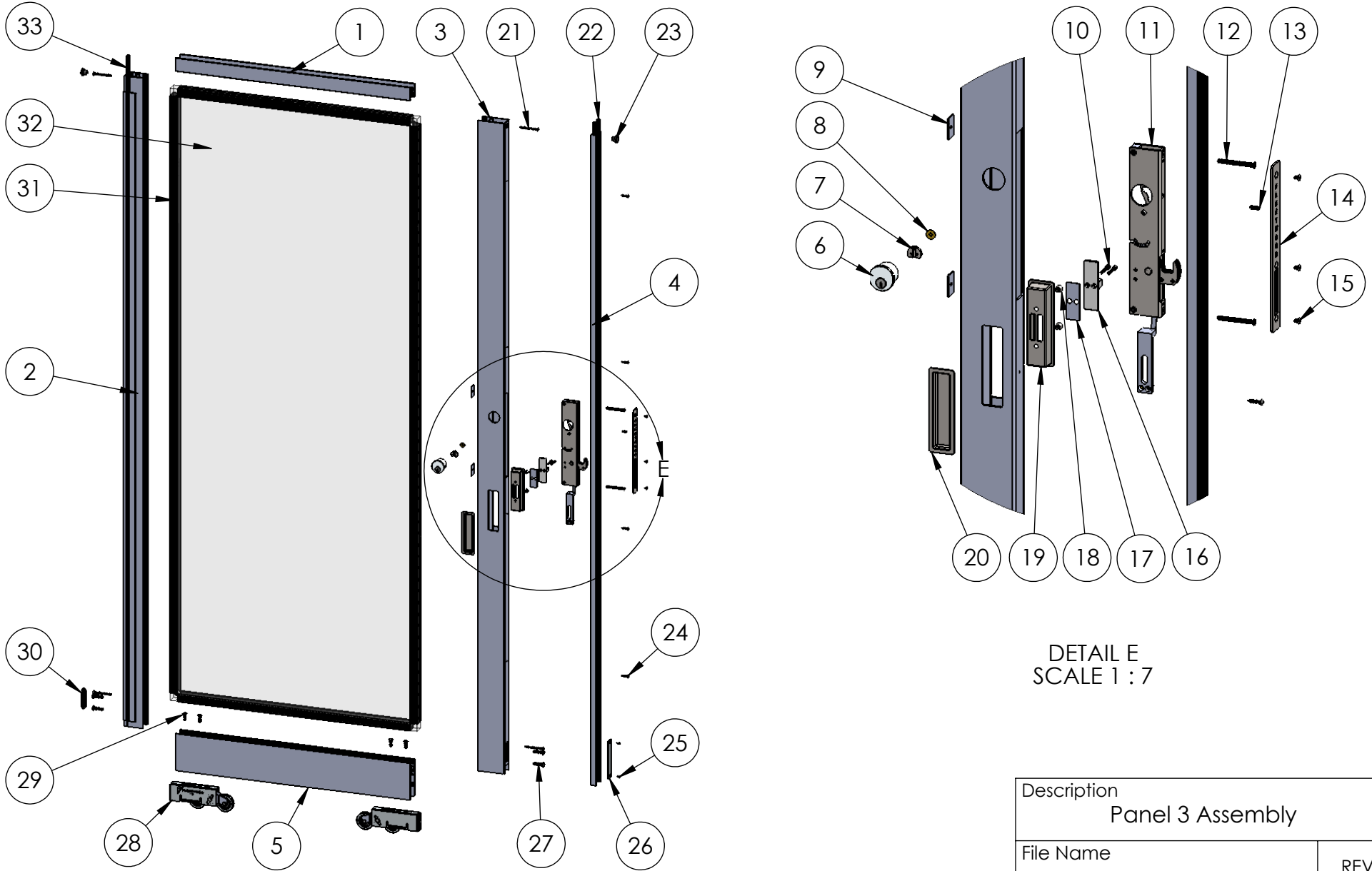
ITEM NO.	PART NUMBER	DESCRIPTION	QTY.
4	19117	Large Fin Seal Mohair (23027045BKGB)	2
5	20355	#10 PHP -A, 2", SS, Clear	4
6	20635	Small Round Door Bumper	2
7	18630	Oval Panel Plug	2
8	20359	#1/4-20 PHP - B, 1", SS, Clear	4
9	20514	A2 Roller Assembly	2
10	20305	#1/4-20 FHP - B, 3/4", SS Clear	4
11	25324	#8-32 FHS, 3/8", Silver	1
12	22909	1 inch Glazing Vinyl (Shown)	1
13	-	Glass	1

NOTES:

1. Interior Stacking Shown
2. Panel 5 orientation of Interlock DG is flipped for exterior stacking

Description Panel 2 Assembly	
File Name Series 1070 OXXIXXO Assembly	REV -
Released 8/30/2018	SHEET 4 OF 8

ASSEMBLY / PARTS LIST (B.O.M.)



DETAIL E
SCALE 1 : 7

Description Panel 3 Assembly	
File Name Series 1070 OXXIXXO Assembly	REV -
Released 8/30/2018	SHEET 5 OF 8

PROPRIETARY AND CONFIDENTIAL
THE INFORMATION CONTAINED IN THIS DRAWING IS THE SOLE PROPERTY OF FLEETWOOD WINDOWS & DOORS.
ANY REPRODUCTION IN PART OR AS A WHOLE WITHOUT THE WRITTEN PERMISSION OF FLEETWOOD WINDOWS & DOORS IS PROHIBITED.

ASSEMBLY / PARTS LIST (B.O.M.)

EXTRUSIONS			
ITEM NO.	PART NUMBER	DESCRIPTION	QTY.
1	3004	Top Rail DG	1
2	3006	Interlocker	1
3	3005	Lock Stile	1
4	3040	Female Yoke	1
5	3709	Bottom Rail	1
HARDWARE			
ITEM NO.	PART NUMBER	DESCRIPTION	QTY.
6	25426, 25427	Archetype Narrow Keyed Cylinder (KD, KA) (Silver)	1
7	24780	Cam - (for the Archetype Key Cylinder)	1
8	25681	Bushing-Key Cyl. - Narrow Arch.	1
9	18671	Back Up Plate # 10-32 x 0.075 Thk.	2
10	25327	#6-32 Hex Socket Head Cap Screw, 7/8", Silver	2
11	25230	Archetype Narrow Latch OX	1
12	25349	#10-32 FHP - B, 2.0", SS, Clear	2
13	25330	#8-32 Set Screw, Archetype Narrow Cylinder	1
14	25309	Archetype Narrow Latch Face Plate	1
15	24076	#8-32 FH Socket Cap Screw, 3/8",SS	3

HARDWARE			
ITEM NO.	PART NUMBER	DESCRIPTION	QTY.
16	25916	Archetype Narrow Flush Actuator with Exposed Fasteners	1
17	25326	Slider Friction Pad	1
18	25324	#8-32 FHS, 3/8", Silver	2
19	25313	Archetype Narrow Flush Int. Pocket, Silver	1
20	25310	Archetype Narrow Flush Ext. Pocket, Silver	1
21	20355	#10 PHP -A, 2", SS, Clear	4
22	19118	Small Fin Seal Mohari (23027045BKQB)	2
23	20635	Small Round Door Bumper	2
24	20314	#8 PHP-A Screw, .75 in, SS, Clear	4
25	20901	#6 X 3/8" UC FHSM	2
26	25035	Meeting Stile Bumper Cover Plate	1
27	20359	#1/4-20 PHP - B, 1", SS, Clear	4
28	20514	A2 Roller Assembly	2
29	20305	#1/4-20 FHP - B, 3/4", SS Clear	4
30	18630	Oval Panel Plug	1
31	22909	1 inch Glazing Vinyl (Shown)	1
32	-	Glass	1
33	19117	Large Fin Seal Mohair (23027045BKGB)	1

Description
Panel 3 Assembly B.O.M.

File Name

Series 1070 OXXIXXO Assembly

REV

-

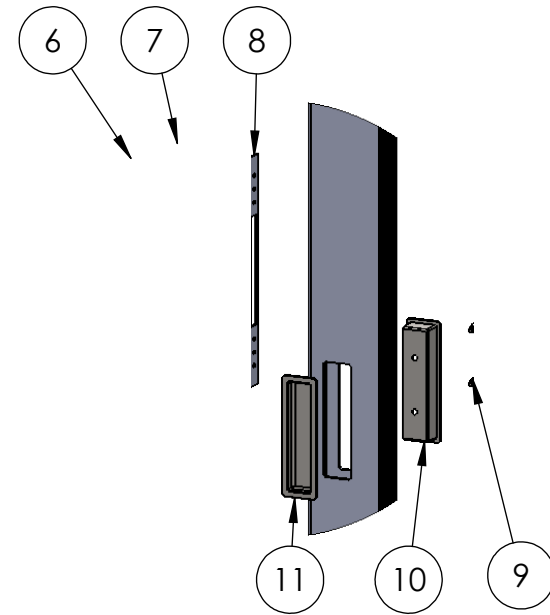
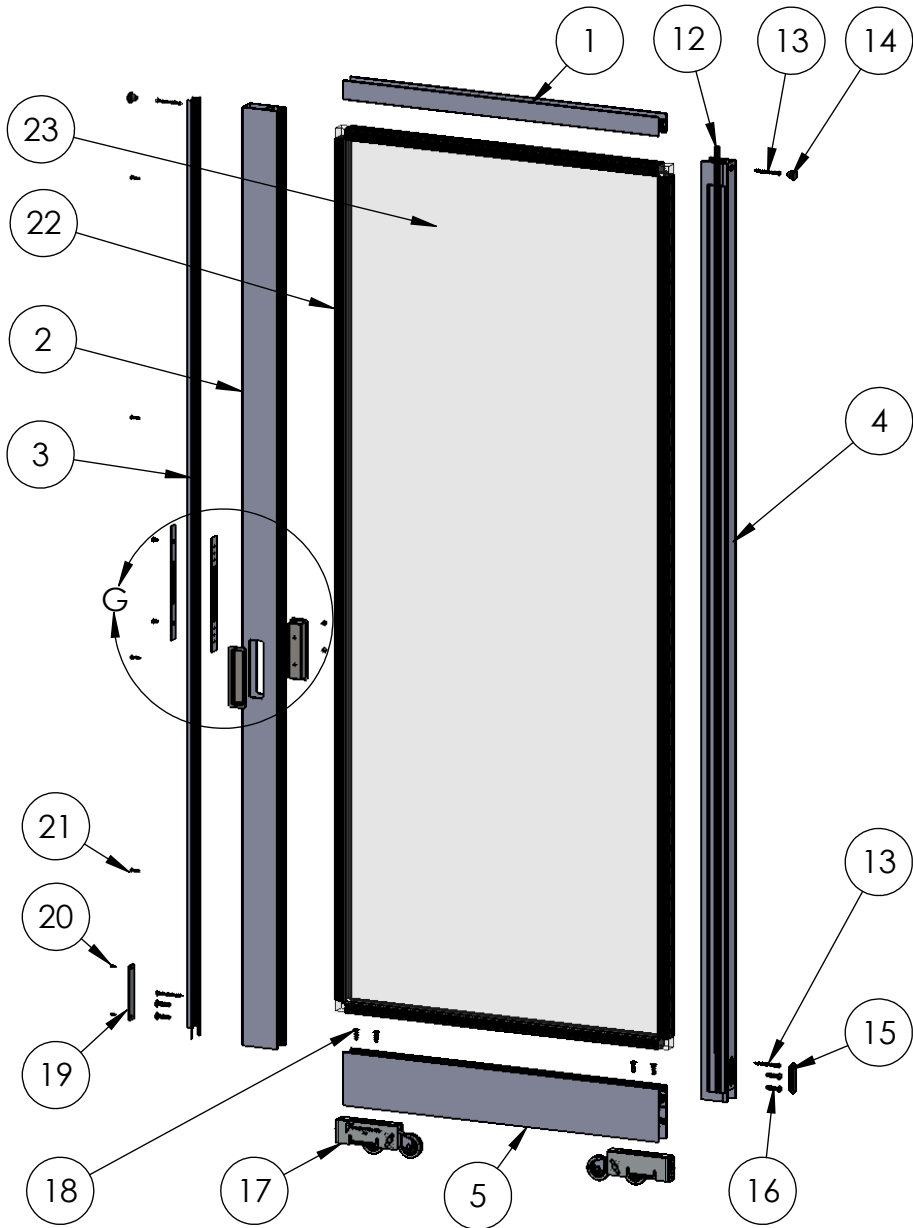
Released 8/30/2018

SHEET 6 OF 8

PROPRIETARY AND CONFIDENTIAL

THE INFORMATION CONTAINED IN THIS DRAWING IS THE SOLE PROPERTY OF FLEETWOOD WINDOWS & DOORS.
ANY REPRODUCTION IN PART OR AS A WHOLE WITHOUT THE WRITTEN PERMISSION OF FLEETWOOD WINDOWS & DOORS IS PROHIBITED.

ASSEMBLY / PARTS LIST (B.O.M.)



PROPRIETARY AND CONFIDENTIAL
 THE INFORMATION CONTAINED IN THIS DRAWING IS THE SOLE PROPERTY OF FLEETWOOD WINDOWS & DOORS.
 ANY REPRODUCTION IN PART OR AS A WHOLE WITHOUT THE WRITTEN PERMISSION OF FLEETWOOD WINDOWS & DOORS IS PROHIBITED.

Description Panel 4 Assembly	
File Name Series 1070 OXXIXXO Assembly	REV -
Released 8/30/2018	SHEET 7 OF 8



ASSEMBLY / PARTS LIST (B.O.M.)

EXTRUSIONS			
ITEM NO.	PART NUMBER	DESCRIPTION	QTY.
1	3004	Top Rail DG	1
2	3005	Lock Stile	1
3	3039	Male Yoke	1
4	3006	Interlocker	1
5	3709	Bottom Rail	1
HARDWARE			
ITEM NO.	PART NUMBER	DESCRIPTION	QTY.
6	20266	Screw No.10-32, Flat Undercut Head Phil.,0.375 In	2
7	24980	Strike Plate, Meeting Stile	1
8	24981	Strike Backup Plate, Meeting Stile	1
9	25324	#8-32 FHS, 3/8", Silver	2
10	25364	Archetype Narrow Dummy Flush Int. Handle, Silver	1
11	25310	Archetype Narrow Flush Ext. Pocket, Silver	1
12	19117	Large Fin Seal Mohair (23027045BKGB)	1
13	20355	#10 PHP -A, 2", SS, Clear	4
14	20635	Small Round Door Bumper	2
15	18630	Oval Panel Plug	1

HARDWARE			
ITEM NO.	PART NUMBER	DESCRIPTION	QTY.
16	20359	#1/4-20 PHP - B, 1", SS, Clear	4
17	20514	A2 Roller Assembly	2
18	20305	#1/4-20 FHP - B, 3/4", SS Clear	4
19	25035	Meeting Stile Bumper Cover Plate	1
20	20901	#6 X 3/8" UC FHSM	2
21	20314	#8 PHP-A Screw, .75 in, SS, Clear	4
22	22909	1 inch Glazing Vinyl (Shown)	1
23	-	Glass	1

Description Panel 4 Assembly B.O.M.	
File Name Series 1070 OXXIXXO Assembly	REV -
Released 8/30/2018	SHEET 8 OF 8

PROPRIETARY AND CONFIDENTIAL
 THE INFORMATION CONTAINED IN THIS DRAWING IS THE SOLE PROPERTY OF FLEETWOOD WINDOWS & DOORS.
 ANY REPRODUCTION IN PART OR AS A WHOLE WITHOUT THE WRITTEN PERMISSION OF FLEETWOOD WINDOWS & DOORS IS PROHIBITED.