

ASSEMBLY / PARTS LIST (B.O.M.)

Series: 1070
Type: OX Configuration

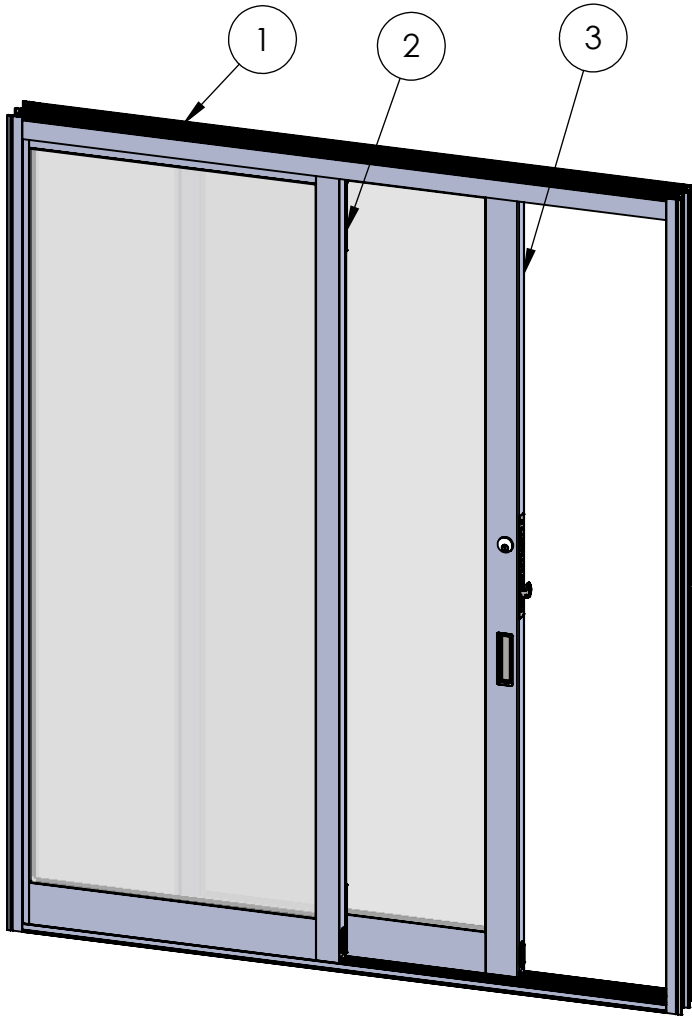


TABLE OF CONTENTS

ITEM NO.	PART NUMBER	QTY.	PAGE #
1	Frame Assembly	1	2
2	O Panel Assembly	1	3
3	X Panel Assembly	1	4-5

NOTES:

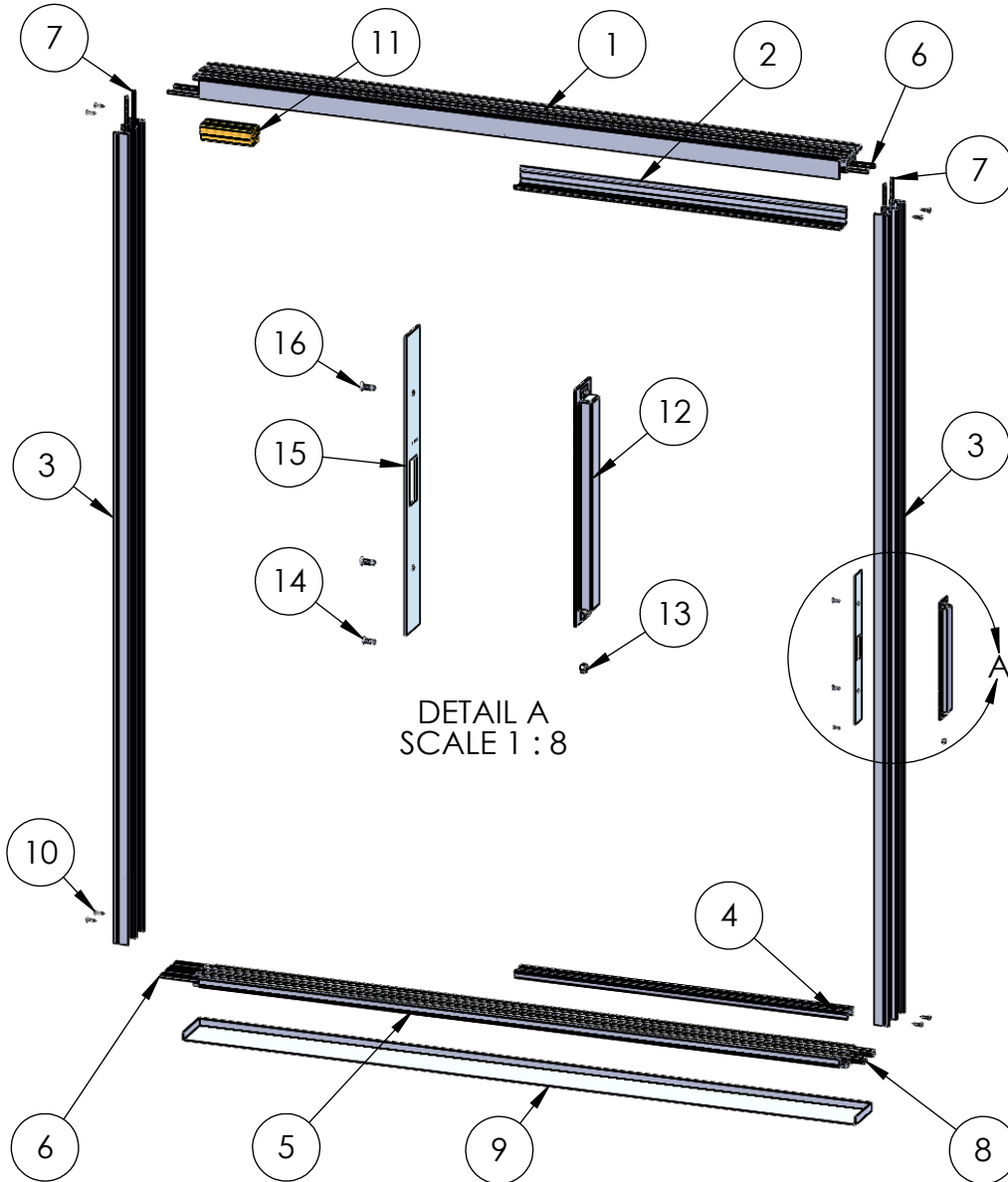
1. XO Configuration shown
2. Stacks to the interior shown.

Description
 Series 1070 Table of Contents

File Name Series 1070 OX Assembly	REV -
--------------------------------------	----------

Released	8/30/2018	SHEET 1 OF 5
----------	-----------	--------------

ASSEMBLY / PARTS LIST (B.O.M.)



EXTRUSIONS

ITEM NO.	PART NUMBER	DESCRIPTION	QTY.
1	3702	Multislide Head (2 track)	1
2	3014	Head Filler / Closer	1
3	3712	Multislide Jamb (2 track)	2
4	3747	Sill Filler	2
5	3742	Multislide Sill (2 track)	1

HARDWARE

ITEM NO.	PART NUMBER	DESCRIPTION	QTY.
6	19118	Weather Strip 23027045BKQB	12
7	19120	Q-Lon (U5212)	4
8	23006	Stainless Steel Track - 9/16"	2
9	-	Sillpan	1
10	20345	#10 PHP - A, 3/4", Zinc, Clear	8
11	25350	Honeycomb Head Bumper 4.625"	1
12	24068	Backup Plate (With Dust Cover)	1
13	25498	#8-32 Locknut with Nylon-Insert	1
14	25497	#8-32 FHP,UC, 1/2",SS	1
15	24067	Strike Plate	1
16	20278	#10-32 FHP-B-UC, 9/16", SS clear	2

Description
Frame Assembly

File Name
Series 1070 OX Assembly

REV
-

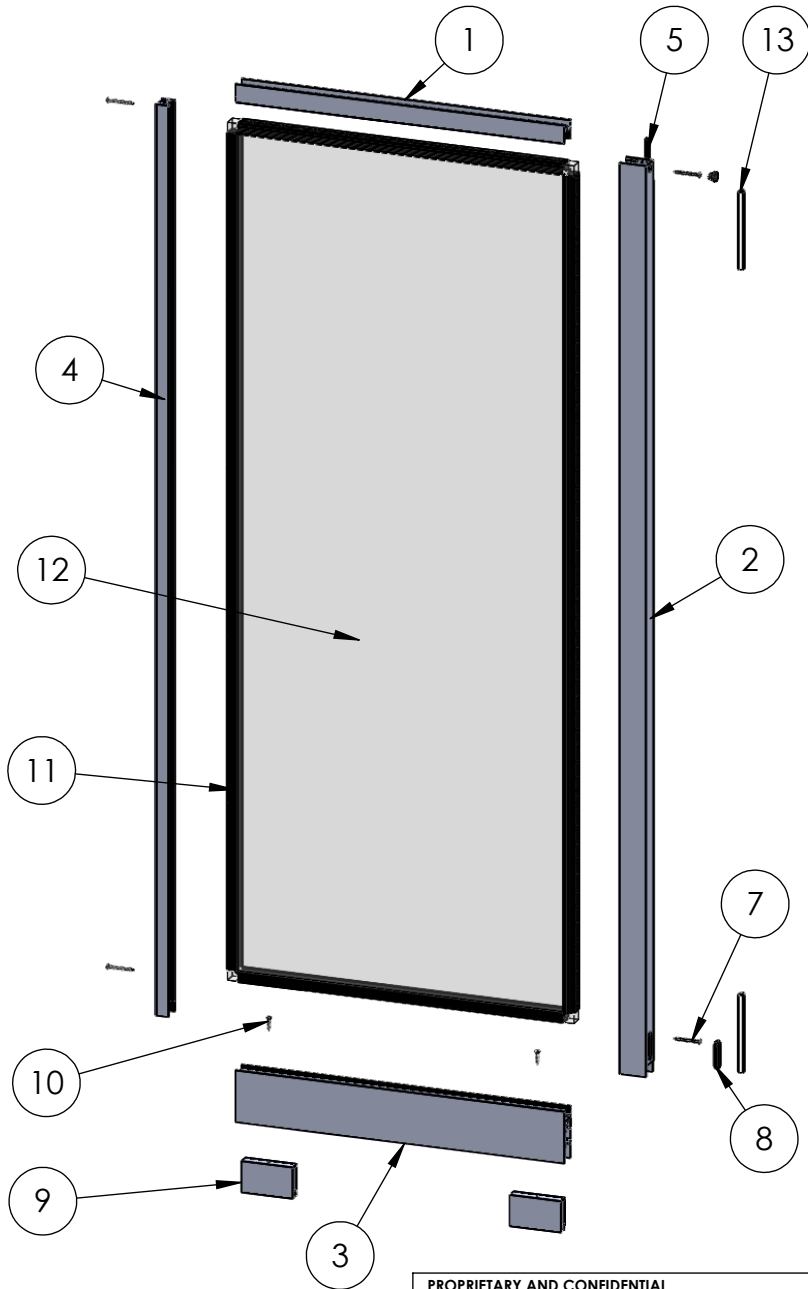
Released 8/30/2018

SHEET 2 OF 5

PROPRIETARY AND CONFIDENTIAL

THE INFORMATION CONTAINED IN THIS DRAWING IS THE SOLE PROPERTY OF FLEETWOOD WINDOWS & DOORS.
ANY REPRODUCTION IN PART OR AS A WHOLE WITHOUT THE WRITTEN PERMISSION OF FLEETWOOD WINDOWS & DOORS IS PROHIBITED.

ASSEMBLY / PARTS LIST (B.O.M.)



EXTRUSIONS

ITEM NO.	PART NUMBER	DESCRIPTION	QTY.
1	3004	Top Rail DG	1
2	3006	Interlocker	1
3	3709	Bottom Rail DG	1
4	3008	Fixed Stile DG	1

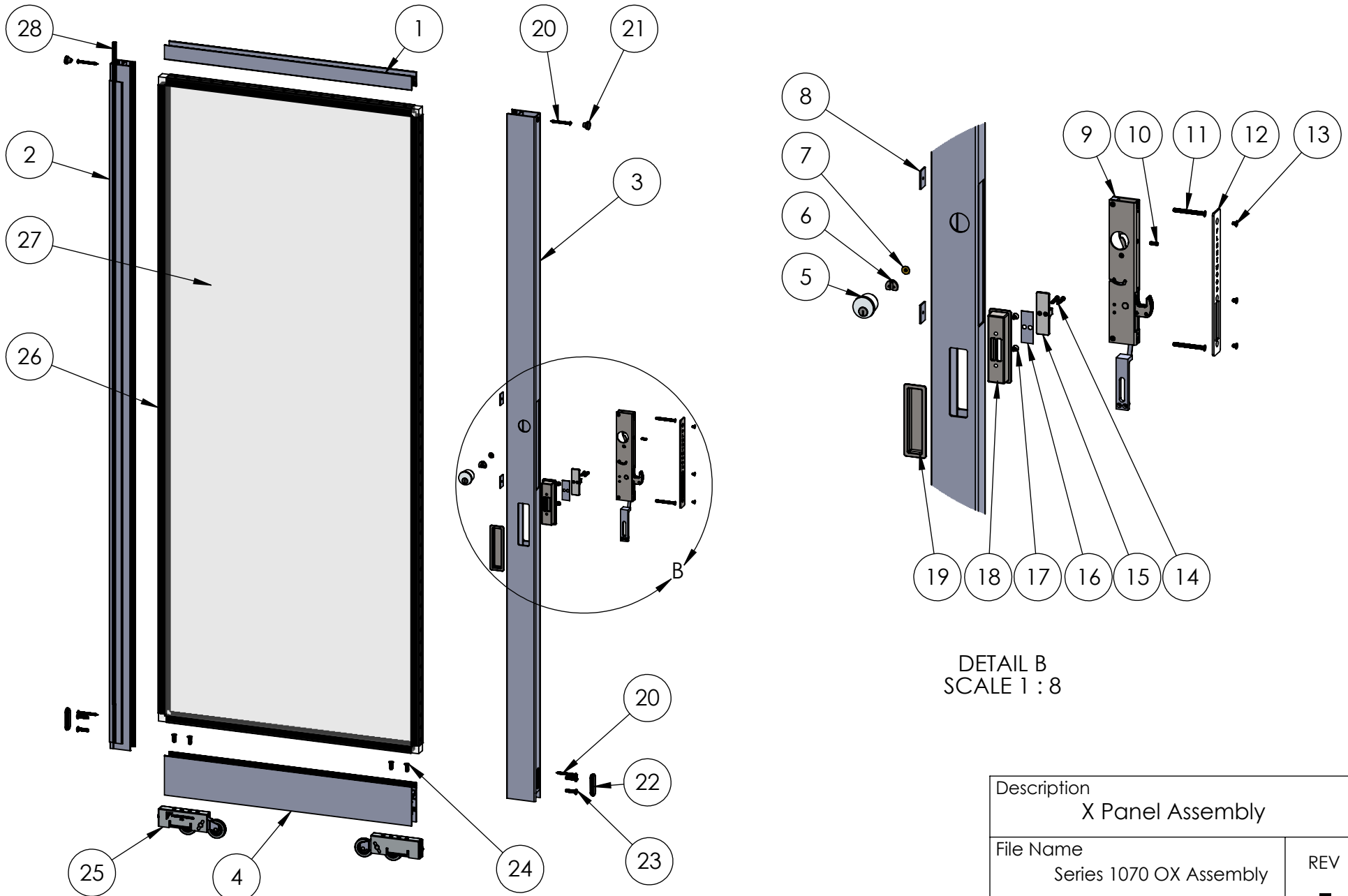
HARDWARE

ITEM NO.	PART NUMBER	DESCRIPTION	QTY.
5	19117	Large Fin Seal Mohair (23027045BKGB)	1
6	20635	Small Round Door Bumper	1
7	20355	#10 PHP -A, 2", SS, Clear	4
8	18630	Oval Plug- Short	1
9	25613	Fixed Panel Block	2
10	20293	#10 FHP-A, 1", SS, Clear	2
11	22909	1 inch Glazing Vinyl (Shown)	1
12	-	Glass	1
13	24653	Air Barrier Standard Interlock	2

Description O Panel Assembly	
File Name Series 1070 OX Assembly	REV -
Released 8/30/2018	SHEET 3 OF 5

PROPRIETARY AND CONFIDENTIAL
 THE INFORMATION CONTAINED IN THIS DRAWING IS THE SOLE PROPERTY OF FLEETWOOD WINDOWS & DOORS.
 ANY REPRODUCTION IN PART OR AS A WHOLE WITHOUT THE WRITTEN PERMISSION OF FLEETWOOD WINDOWS & DOORS IS PROHIBITED.

ASSEMBLY / PARTS LIST (B.O.M.)



DETAIL B
 SCALE 1 : 8

PROPRIETARY AND CONFIDENTIAL
 THE INFORMATION CONTAINED IN THIS DRAWING IS THE SOLE PROPERTY OF FLEETWOOD WINDOWS & DOORS.
 ANY REPRODUCTION IN PART OR AS A WHOLE WITHOUT THE WRITTEN PERMISSION OF FLEETWOOD WINDOWS & DOORS IS PROHIBITED.

Description X Panel Assembly	
File Name Series 1070 OX Assembly	REV -
Released 8/30/2018	SHEET 4 OF 5



ASSEMBLY / PARTS LIST (B.O.M.)

EXTRUSIONS			
ITEM NO.	PART NUMBER	DESCRIPTION	QTY.
1	3004	Top Rail DG	1
2	3006	Interlocker	1
3	3005	Lock Stile	1
4	3709	Bottom Rail	1

HARDWARE			
ITEM NO.	PART NUMBER	DESCRIPTION	QTY.
5	25426, 25427	Archetype Narrow Keyed Cylinder (KD, KA) (Silver)	1
6	24780	Cam - (for the Archetype Key Cylinder)	1
7	25681	Bushing-Key Cyl. - Narrow Arch.	1
8	18671	Back Up Plate # 10-32 x 0.075 Thk.	2
9	25230	Archetype Narrow Latch OX	1
10	25330	#8-32 Set Screw, Archetype Narrow Cylinder	1
11	25349	#10-32 FHP - B, 2.0", SS, Clear	2
12	25309	Archetype Narrow Latch Face Plate	1
13	24076	#8-32 FH Socket Cap Screw, 3/8",SS	3
14	25327	#6-32 Hex Socket Head Cap Screw, 7/8", Silver	2
15	25916	Archetype Narrow Flush Actuator with Exposed Fasteners	1
16	25326	Slider Friction Pad	1
17	25324	#8-32 FHS, 3/8", Silver	2
18	25313	Archetype Narrow Flush Int. Pocket, Silver	1
19	25310	Archetype Narrow Flush Ext. Pocket, Silver	1
20	20355	#10 PHP -A, 2", SS, Clear	4

HARDWARE			
ITEM NO.	PART NUMBER	DESCRIPTION	QTY.
21	20635	Small Round Door Bumper	2
22	18630	Oval Panel Plug	2
23	20359	#1/4-20 PHP - B, 1", SS, Clear	4
24	20305	#1/4-20 FHP - B, 3/4", SS Clear	4
25	20514	A2 Roller Assembly	2
26	22909	1 inch Glazing Vinyl (Shown)	1
27	-	Glass	1
28	19117	Large Fin Seal Mohair (23027045BKGB)	1

Description X Panel B.O.M.	
File Name Series 1070 OX Assembly	REV -
Released 8/30/2018	SHEET 5 OF 5

PROPRIETARY AND CONFIDENTIAL
 THE INFORMATION CONTAINED IN THIS DRAWING IS THE SOLE PROPERTY OF FLEETWOOD WINDOWS & DOORS.
 ANY REPRODUCTION IN PART OR AS A WHOLE WITHOUT THE WRITTEN PERMISSION OF FLEETWOOD WINDOWS & DOORS IS PROHIBITED.