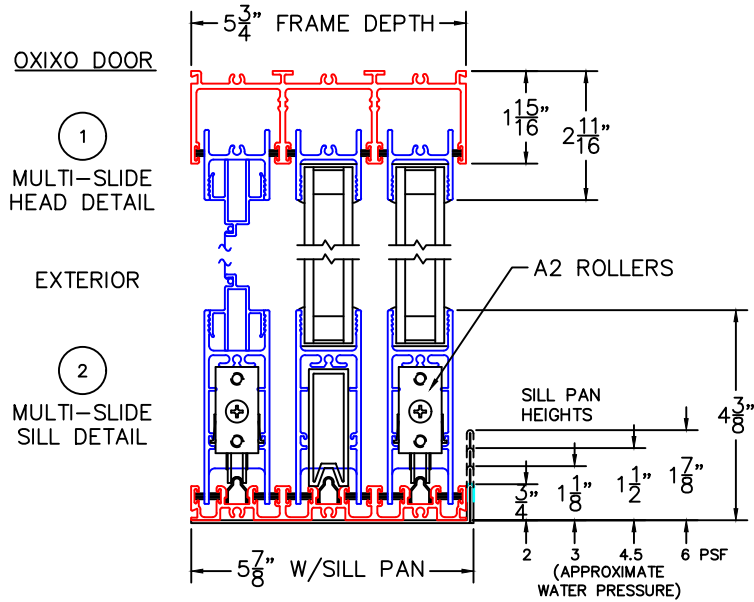
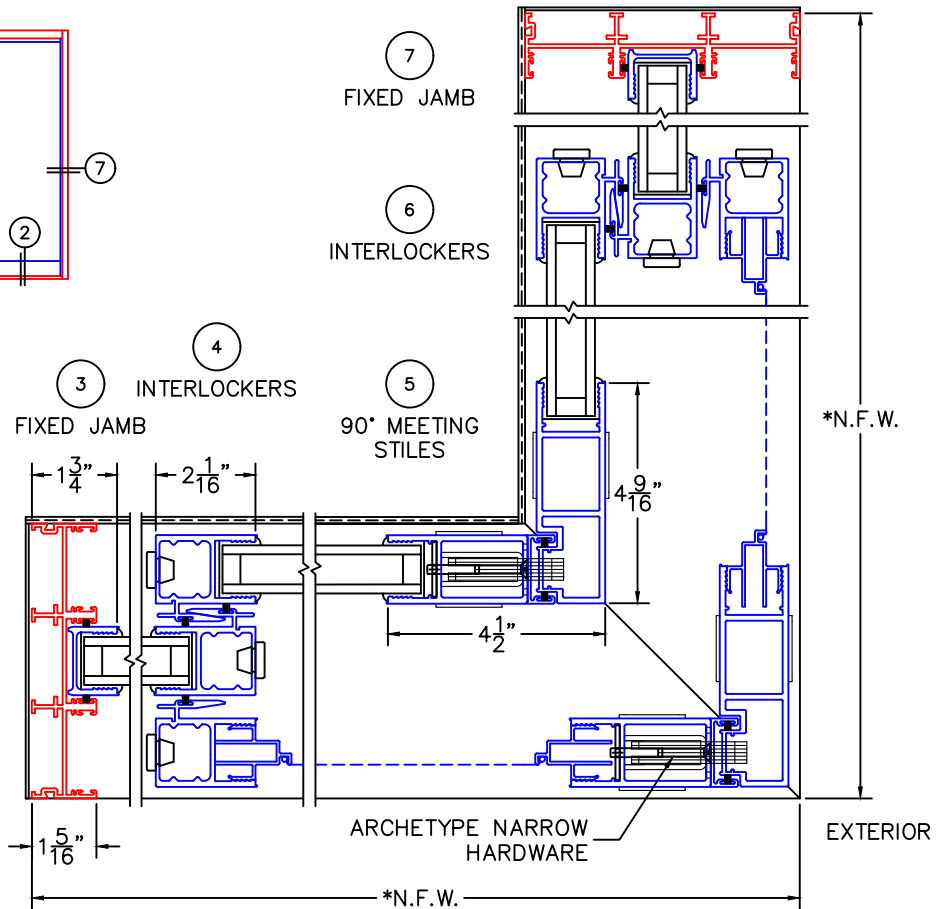
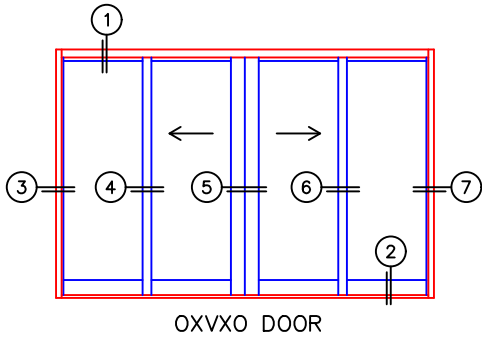


(USE RULER TO SCALE DIMENSIONS IN INCHES)
SCALE: 1/4

MULTI-SLIDE DOOR DETAILS 90° CORNER WITH SCREENS

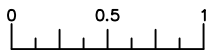


NOTE: CENTERLINES ARE NOT DIVIDED EQUALLY;
CONFIRM CENTERLINES WHEN REQUIRED.



- GLASS PENETRATION: 11/16"
- *NET FRAME WIDTH DOES NOT INCLUDE SILL PAN.
- SILL PAN EXTENDS 1/8" BEYOND EACH JAMB.
- EXTERIOR RATED PRODUCTS HAVE WEEP SLOTS ON HORIZONTAL SILLS.
- FOR ADDITIONAL OPTIONS AND UPGRADES SEE DRAWING 1070-07.

NOTE: PANELS DO NOT FLUSH STACK



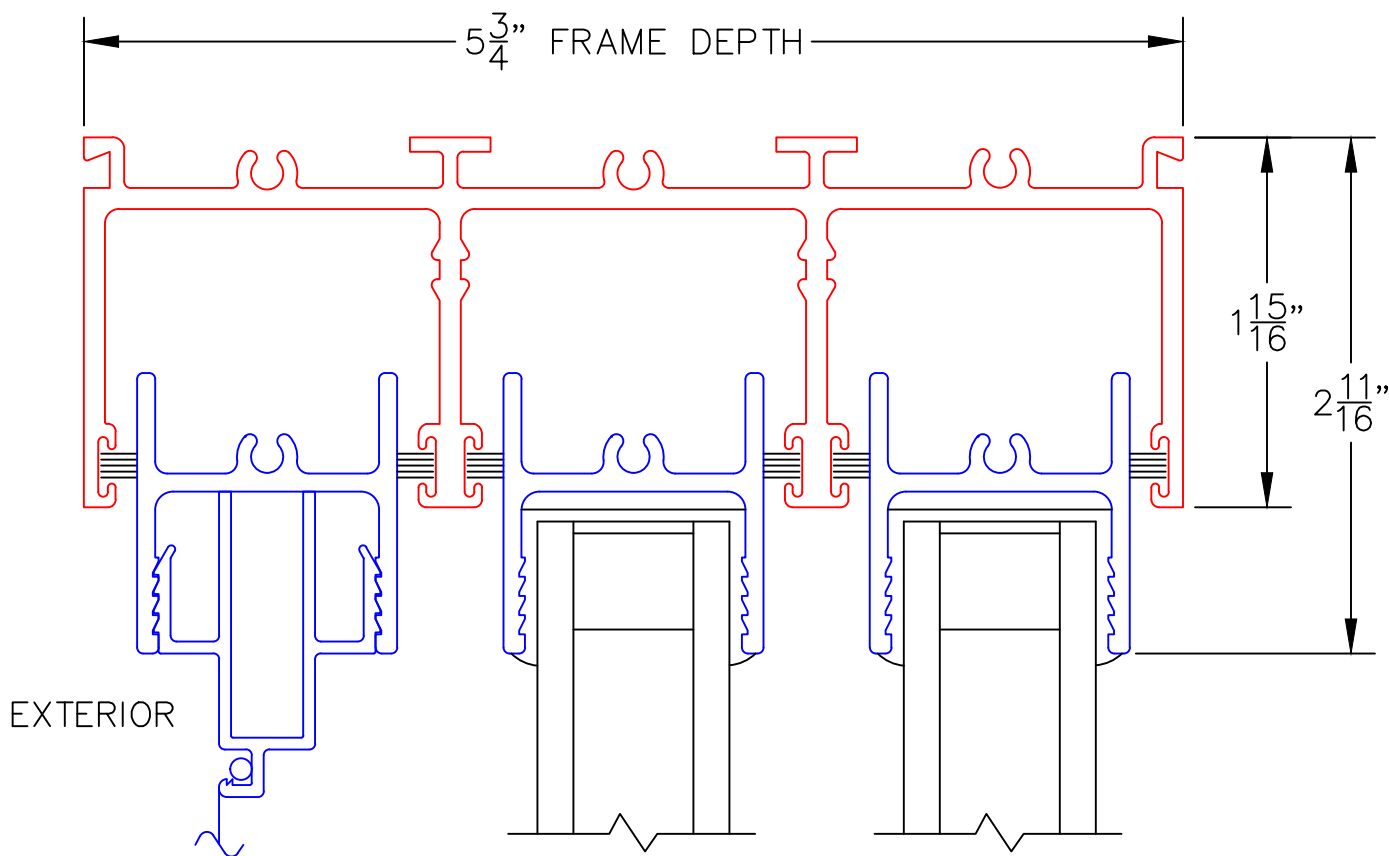
(USE RULER TO SCALE DIMENSIONS IN INCHES)

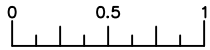
SCALE: FULL

OX DOOR



MULTI-SLIDE
HEAD DETAIL





(USE RULER TO SCALE DIMENSIONS IN INCHES)

SCALE: FULL

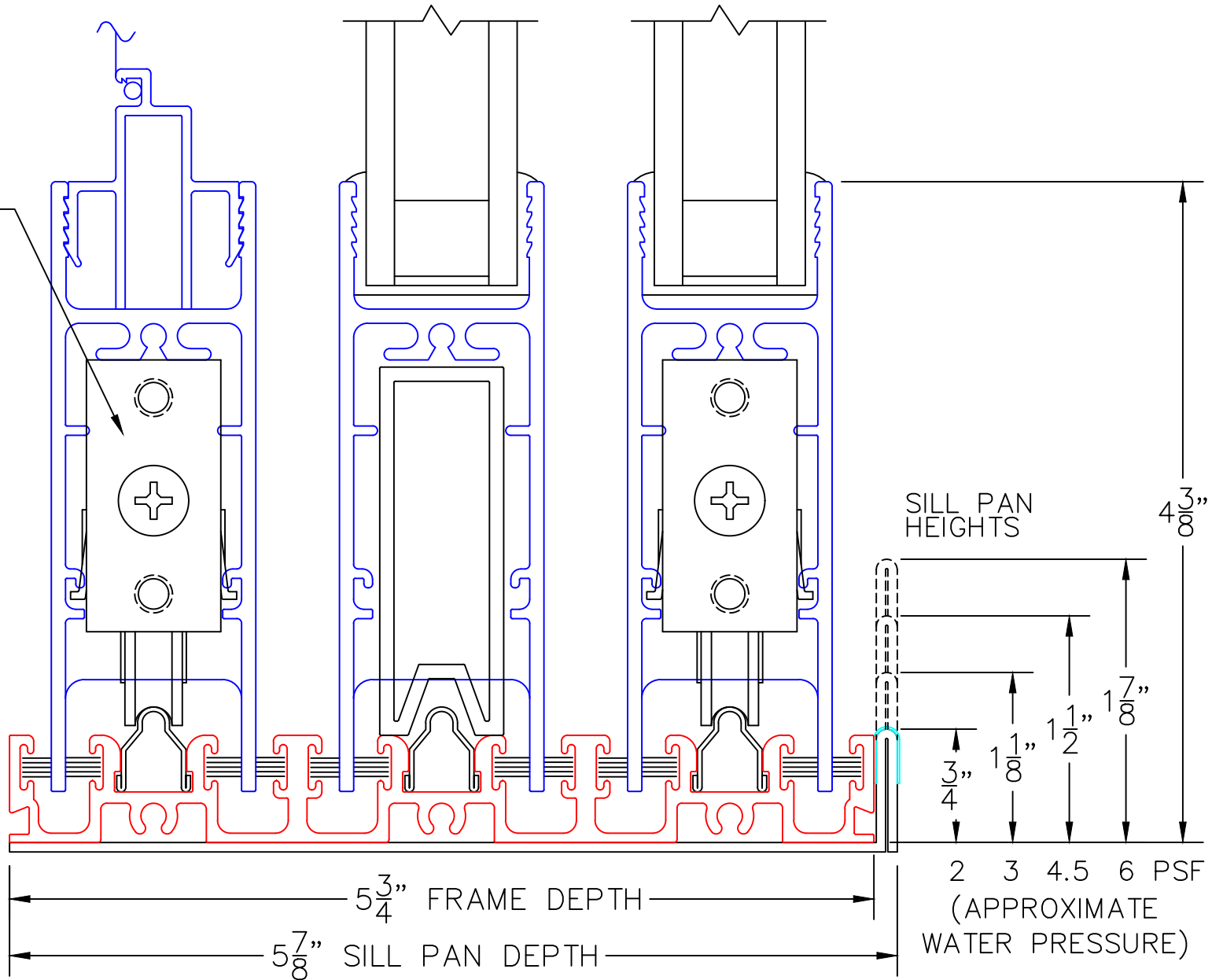
OX DOOR

A2 ROLLERS

EXTERIOR

2

MULTI-SLIDE
SILL DETAIL

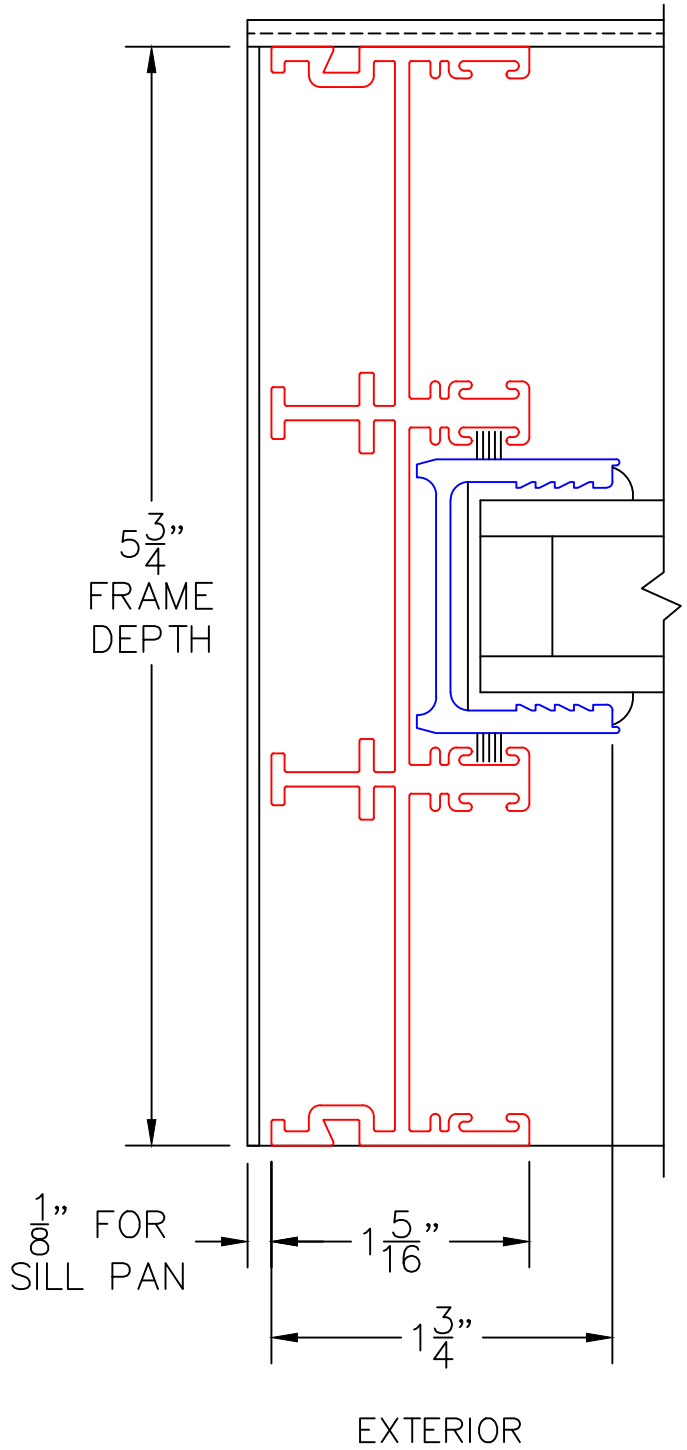


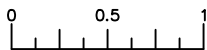
0 0.5 1
(USE RULER TO SCALE DIMENSIONS IN INCHES)
SCALE: FULL

OX DOOR

3

FIXED
JAMB





(USE RULER TO SCALE DIMENSIONS IN INCHES)

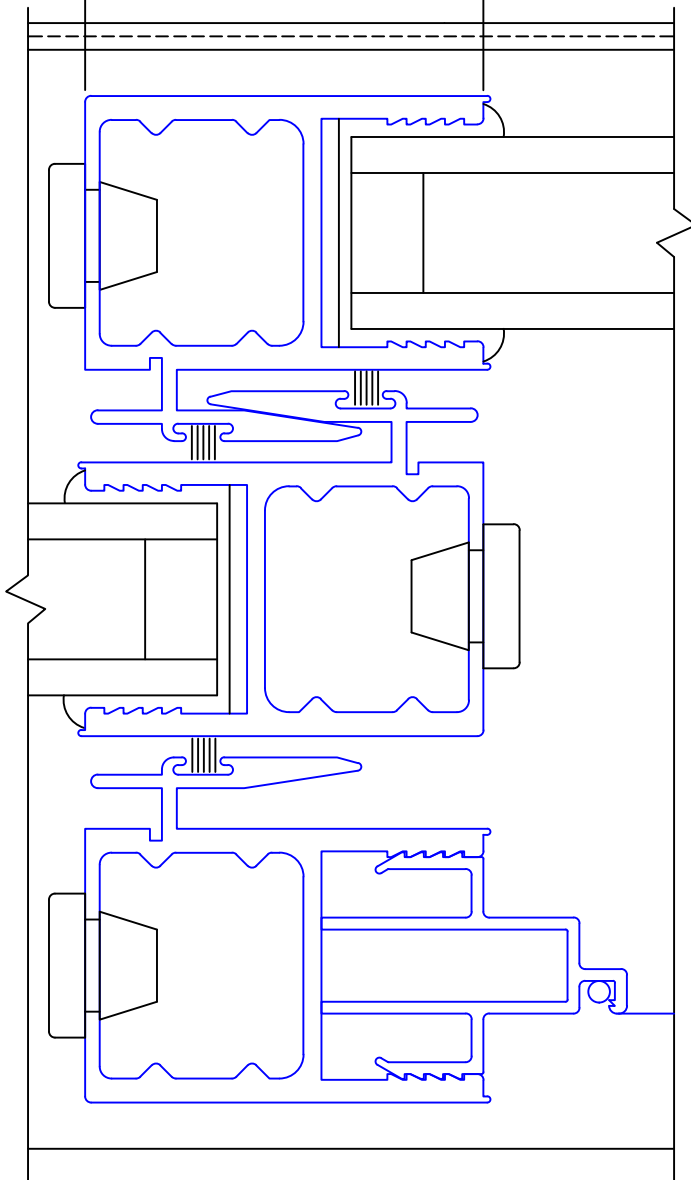
SCALE: FULL

OX DOOR

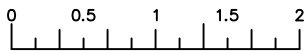
4

INTERLOCKERS

2 1/16"



EXTERIOR



(USE RULER TO SCALE DIMENSIONS IN INCHES)

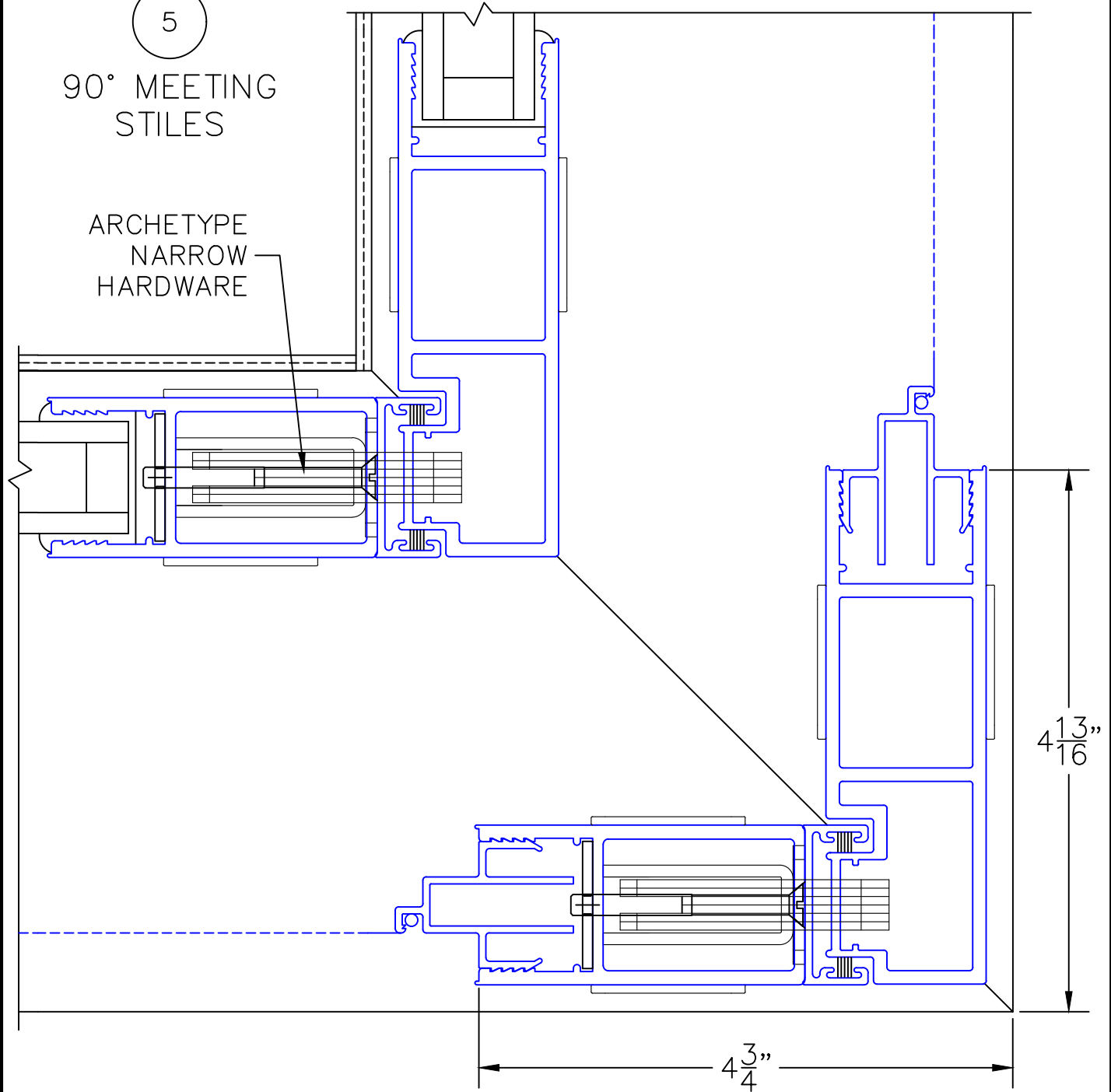
SCALE: 3/4

OXVXO DOOR

5

90° MEETING
STILES

ARCHETYPE
NARROW
HARDWARE



EXTERIOR