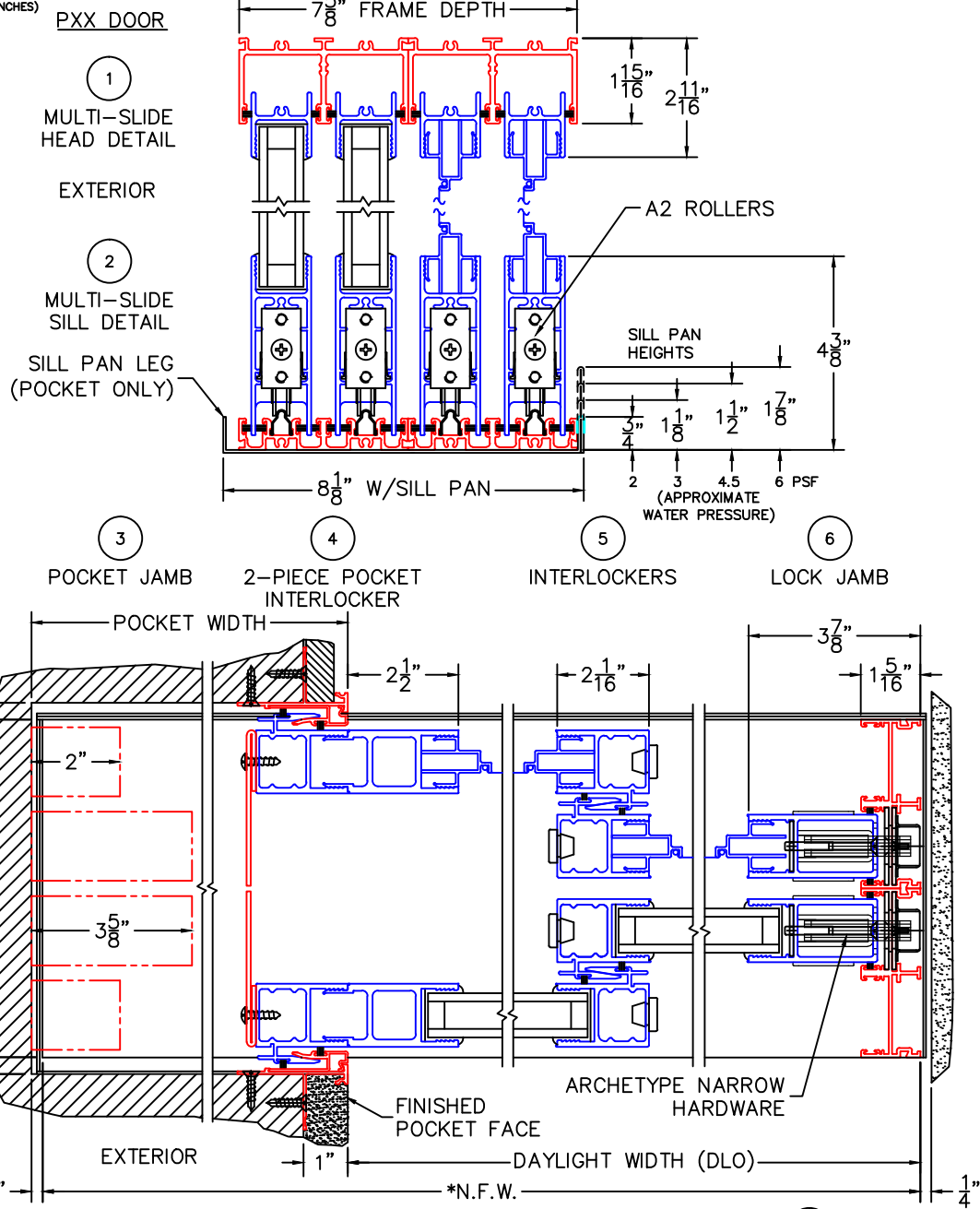
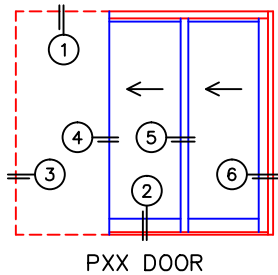


(USE RULER TO SCALE DIMENSIONS IN INCHES)
SCALE: 1/4

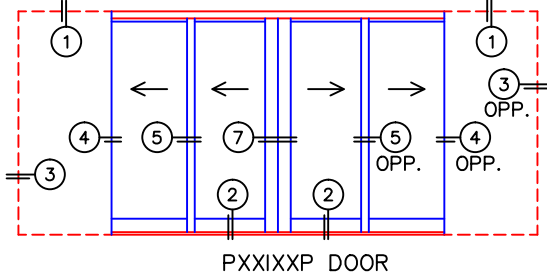
MULTI-SLIDE POCKET DOOR DETAILS WITH SCREENS



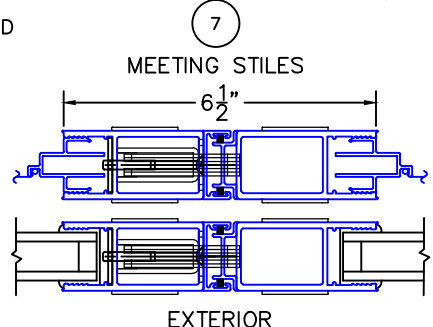
NOTE: CENTERLINES ARE NOT DIVIDED EQUALLY; CONFIRM CENTERLINES WHEN REQUIRED



PXX DOOR



PXXIXXP DOOR

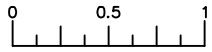


EXTERIOR

- *NET FRAME WIDTH DOES NOT INCLUDE SILL PAN.
- SILL PAN EXTENDS 1/8" BEYOND EACH JAMB.
- EXTERIOR RATED PRODUCTS HAVE WEEP SLOTS ON HORIZONTAL SILLS.

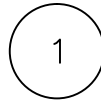
- GLASS PENETRATION: 11/16"
- FOR ADDITIONAL OPTIONS AND UPGRADES SEE DRAWING 1070-07.

PXX DOOR

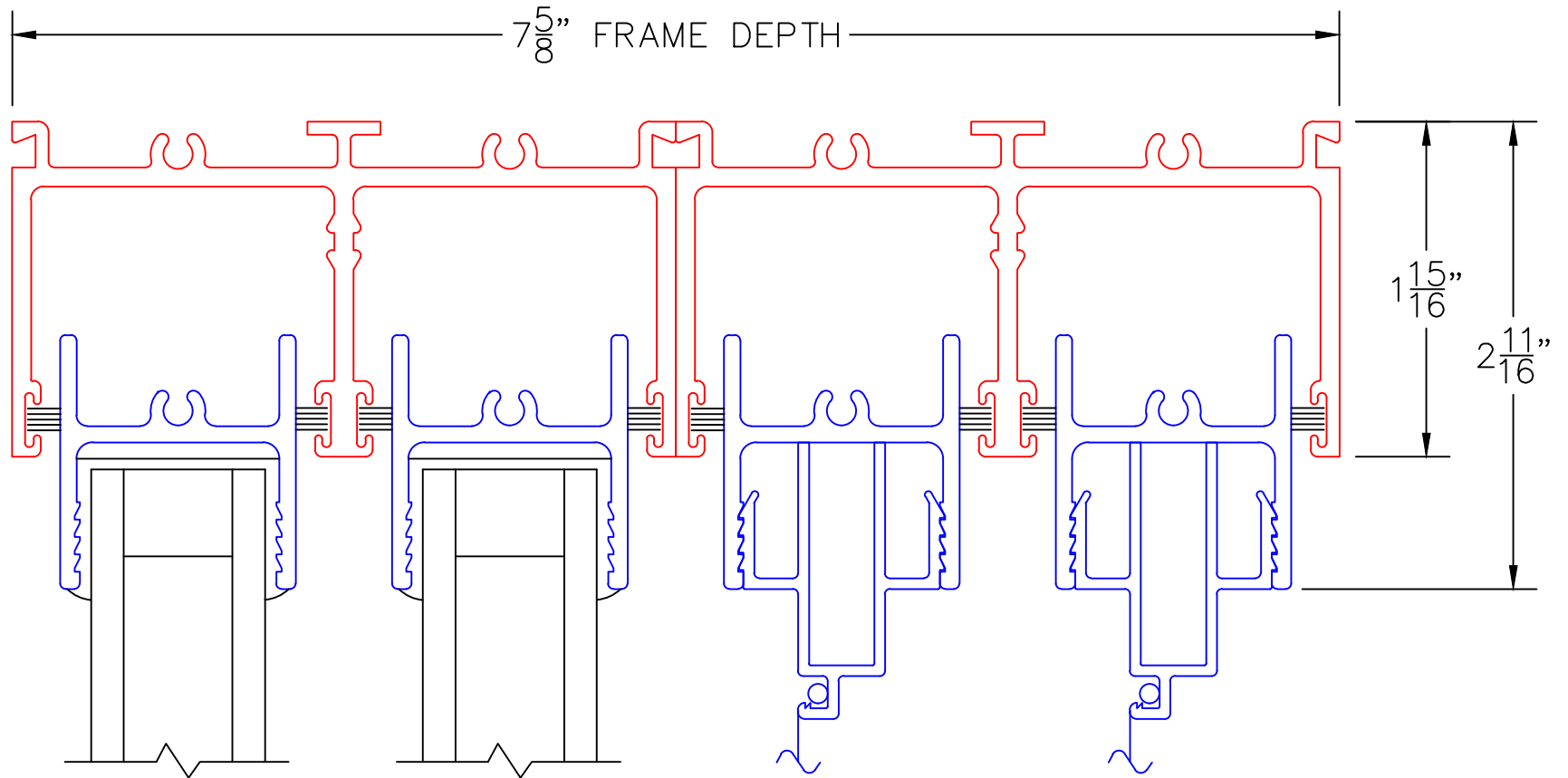


(USE RULER TO SCALE DIMENSIONS IN INCHES)

SCALE: FULL

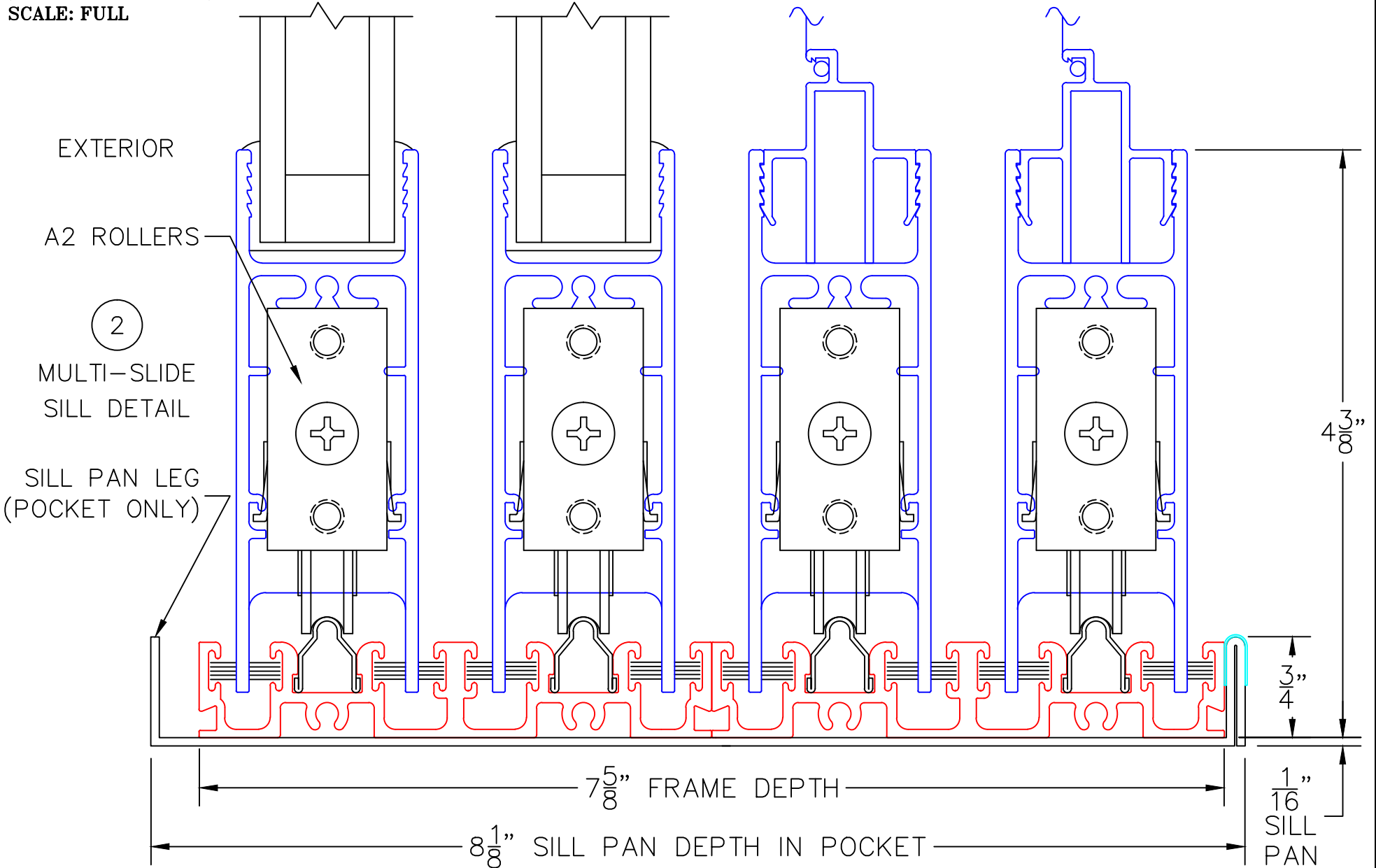


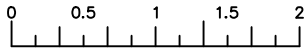
MULTI-SLIDE HEAD DETAIL



0 0.5 1
(USE RULER TO SCALE DIMENSIONS IN INCHES)
SCALE: FULL

PXX DOOR





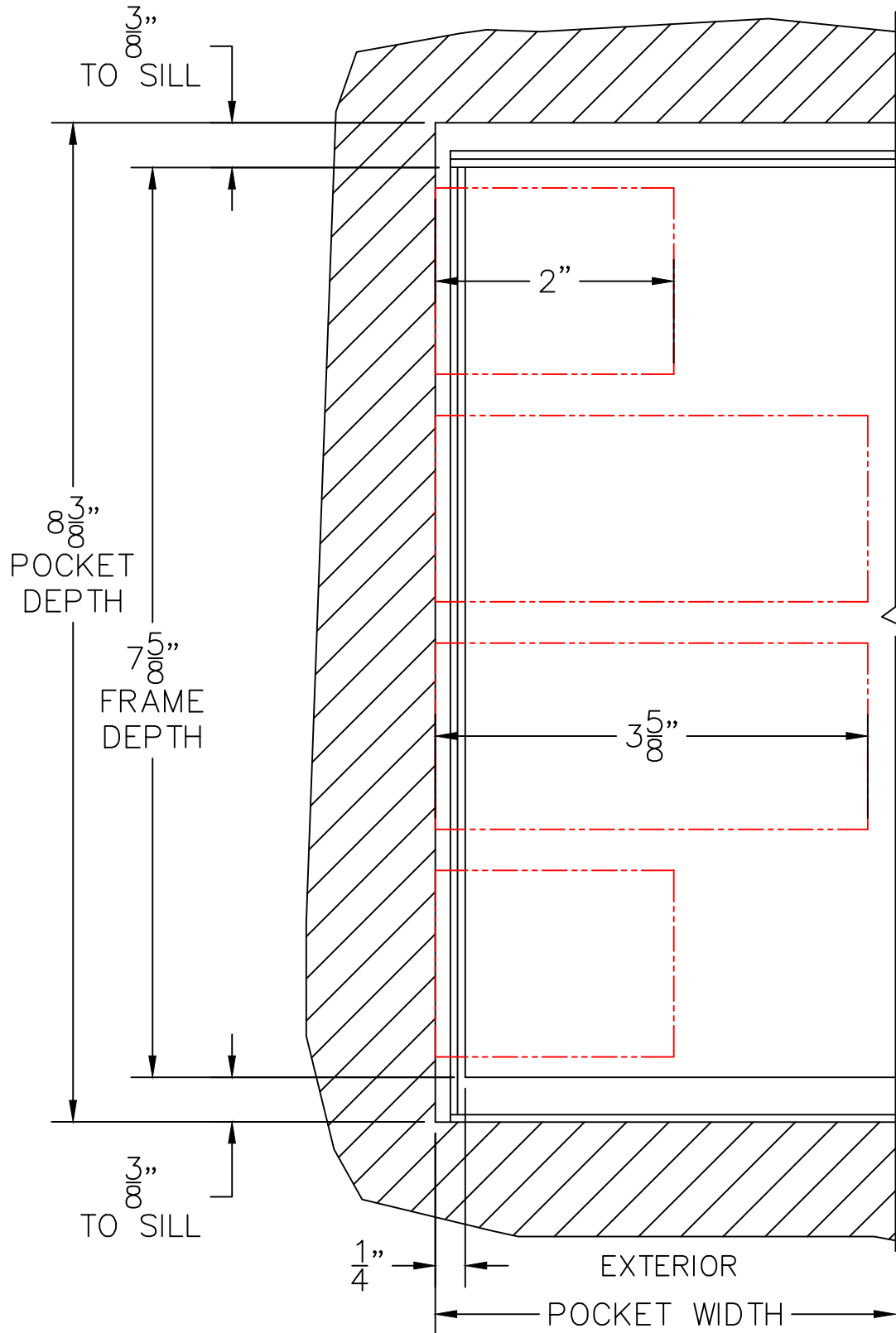
(USE RULER TO SCALE DIMENSIONS IN INCHES)

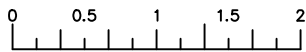
SCALE: 3/4

PXX DOOR

3

POCKET JAMB





(USE RULER TO SCALE DIMENSIONS IN INCHES)

SCALE: 3/4

PXX DOOR

2-1/2" SIGHTLINE
EXTENDER

3"
TO SILL

4

2-PIECE
POCKET
INTERLOCKER

3"
TO SILL

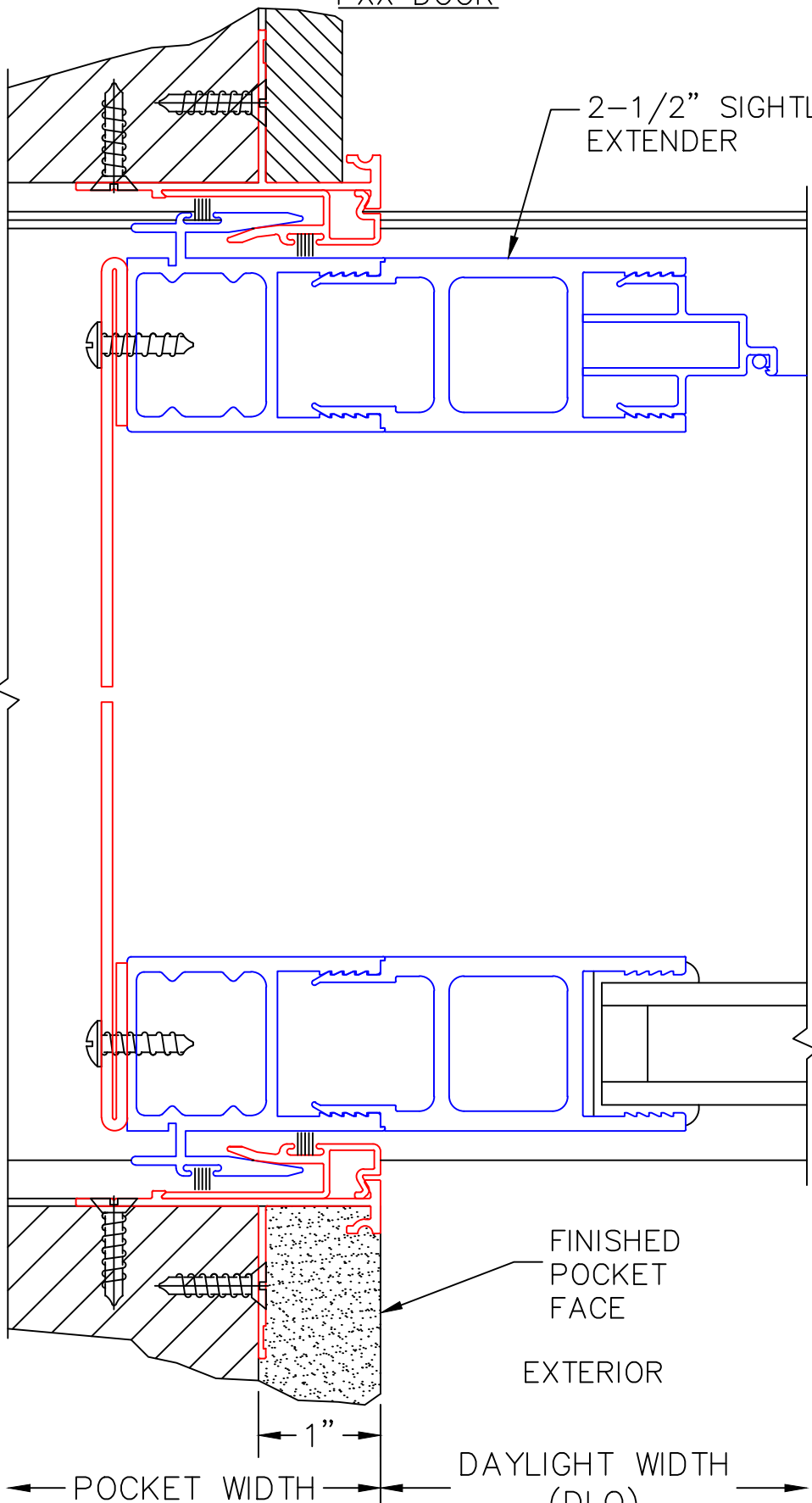
FINISHED
POCKET
FACE

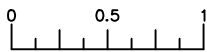
EXTERIOR

1"

POCKET WIDTH

DAYLIGHT WIDTH
(DLO)





(USE RULER TO SCALE DIMENSIONS IN INCHES)

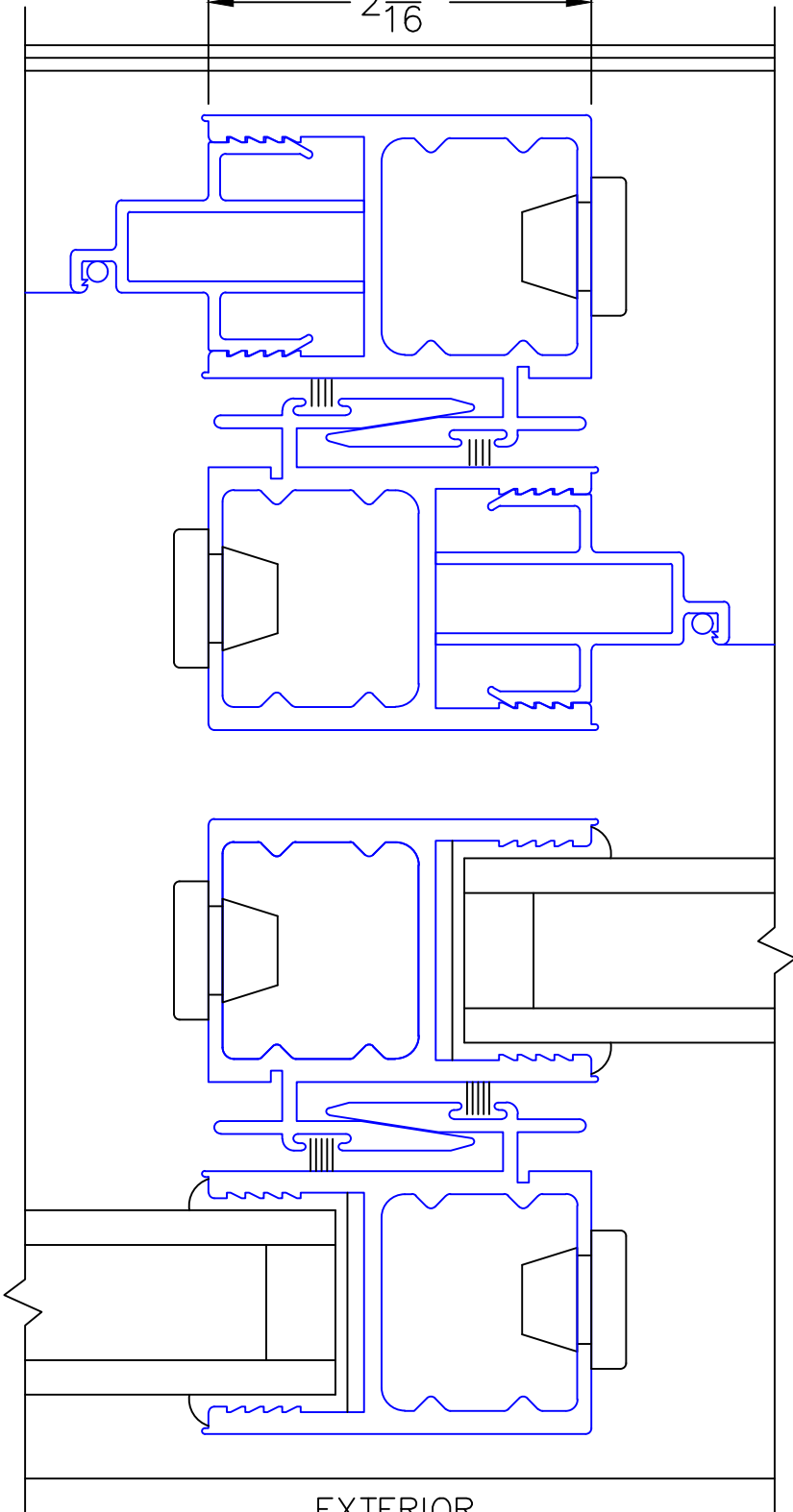
SCALE: FULL

5

PXX DOOR

INTERLOCKER

2 1/16"



EXTERIOR



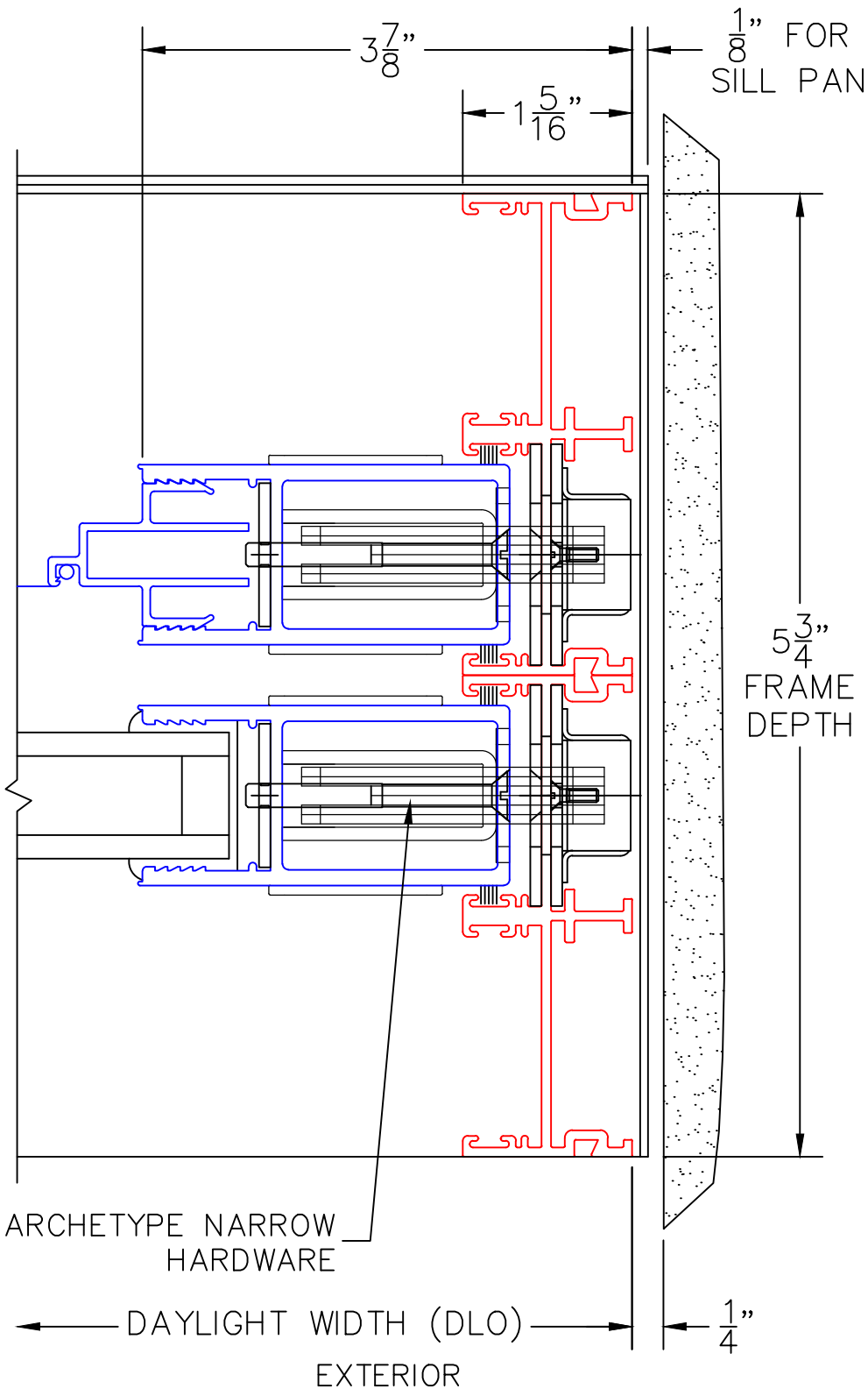
(USE RULER TO SCALE DIMENSIONS IN INCHES)

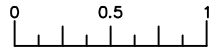
SCALE: 3/4

PXX DOOR

6

LOCK JAMB





(USE RULER TO SCALE DIMENSIONS IN INCHES)

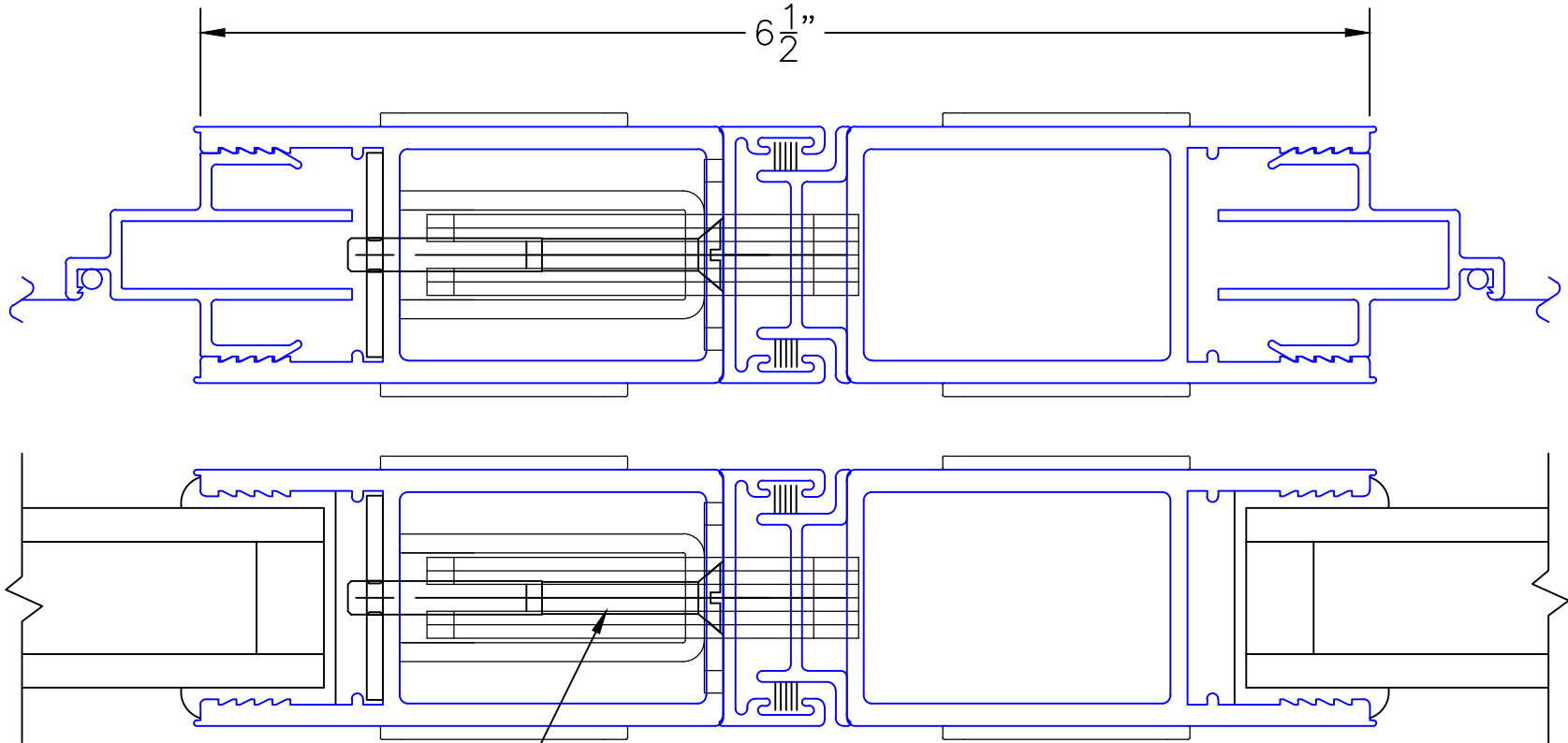
SCALE: FULL

PXXIXXP DOOR

7

MEETING
STILES

6 1/2"



ARCHETYPE NARROW
HARDWARE

EXTERIOR