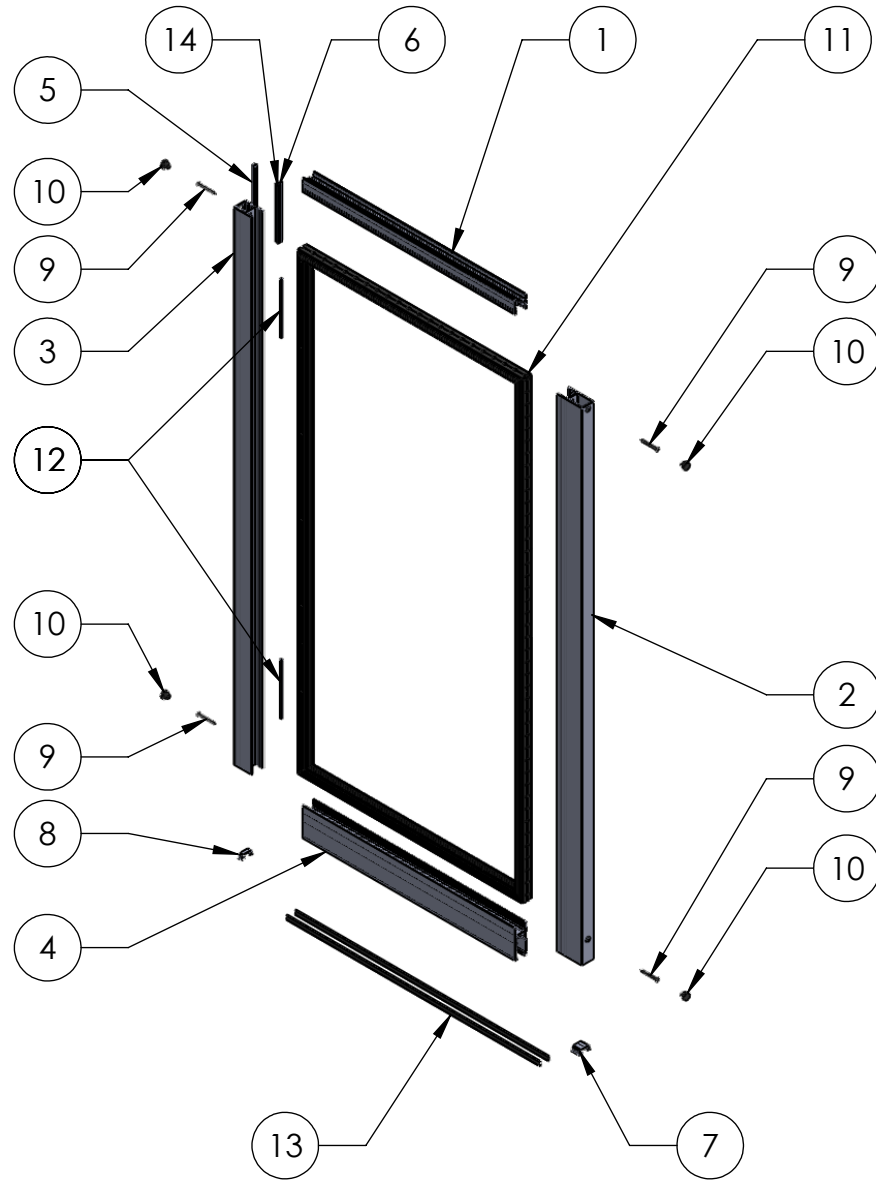




# ASSEMBLY / PARTS LIST (B.O.M.)



| ITEM NO. | PART NUMBER | DESCRIPTION                         | QTY. |
|----------|-------------|-------------------------------------|------|
| 1        | 3004        | Std Top-Rail                        | 1    |
| 2        | 3005        | Std Lock Stile                      | 1    |
| 3        | 3006        | Std Post-Interlocker                | 1    |
| 4        | 3009        | Int Sliding B-Rail                  | 1    |
| 5        | 19117       | Large Fin Seal (29027045bkqb)(7578) | 1    |
| 6        | 19120       | Q-Lon (U5212)                       | 1    |
| 7        | 19141       | .930 Length Bottom Vent Clip        | 1    |
| 8        | 19141       | .393 Length Bottom Vent Clip        | 1    |
| 9        | 20355       | #10 PHP -A, 2", SS, Clear           | 4    |
| 10       | 20635       | Small Round Door Bumper             | 4    |
| 11       | 22909       | 1" Glazing Vinyl                    | 1    |
| 12       | 22927       | Screen Spline .250 / FT             | 2    |
| 13       | 23213       | Bottom Vent Weatherstrip            | 2    |
| 14       | 24653       | Air Barrier Standard Interlock 6"   | 1    |

**PROPRIETARY AND CONFIDENTIAL**  
 THE INFORMATION CONTAINED IN THIS DRAWING IS THE SOLE PROPERTY OF FLEETWOOD WINDOWS & DOORS.  
 ANY REPRODUCTION IN PART OR AS A WHOLE WITHOUT THE WRITTEN PERMISSION OF FLEETWOOD WINDOWS & DOORS IS PROHIBITED.

|  |              |
|--|--------------|
| TITLE:<br>1050 O-Panel                                 |              |
| DWG. NO.<br>Series_1050_Assembly_O-<br>Panel_Part List | REV          |
| DATE: 1/13/14  | SHEET 1 OF 1 |