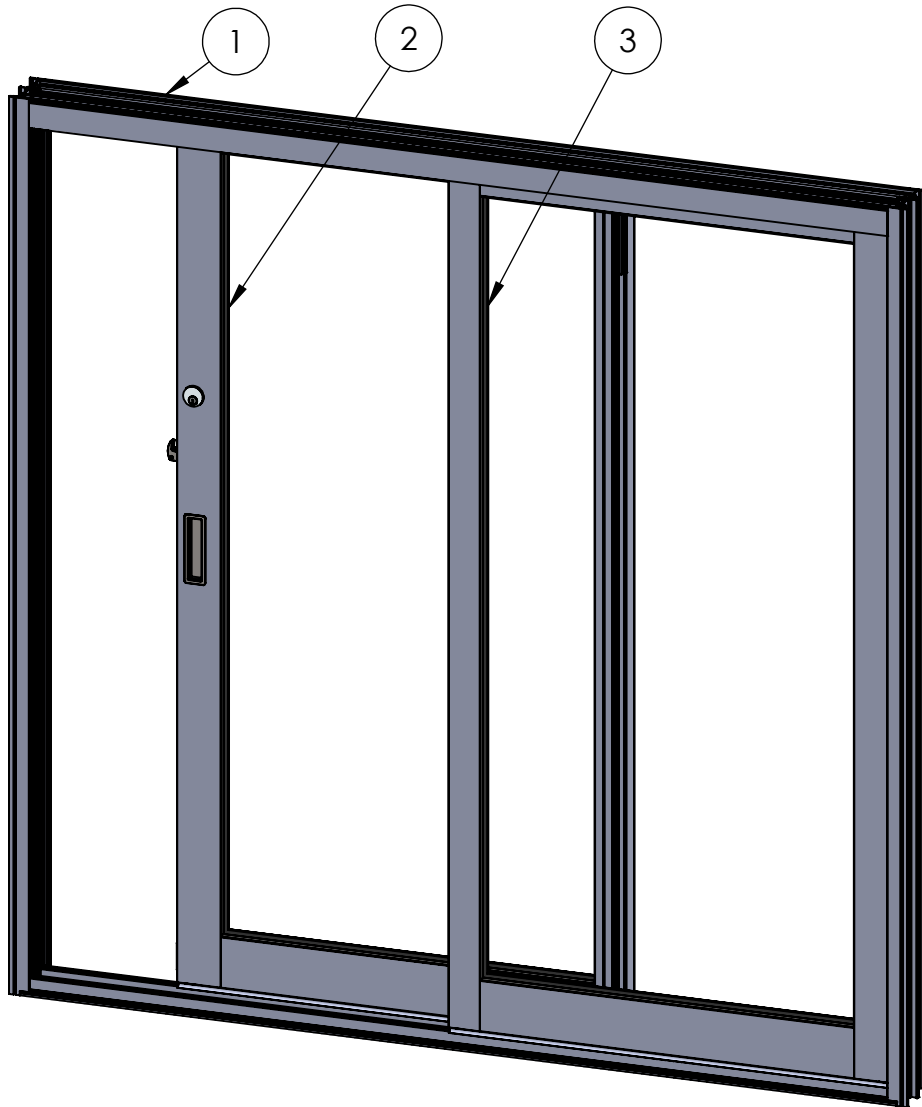


# ASSEMBLY / PARTS LIST (B.O.M.)

**Series: 1050**  
**Type: XO Configuration**

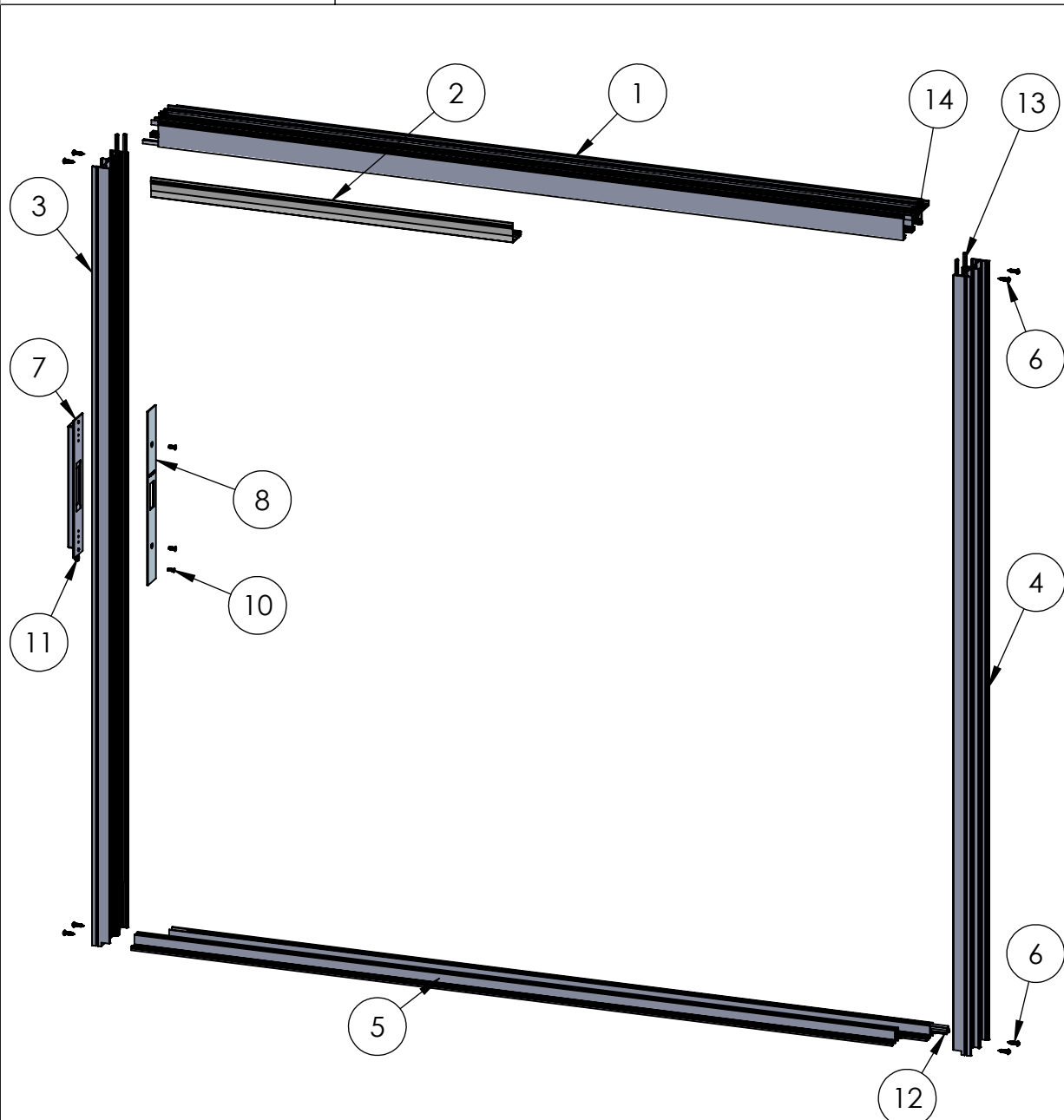


## TABLE OF CONTENTS

ITEM NO.	PART NUMBER	QTY.	PAGE #
1	Frame Assembly	1	2
2	X Panel Assembly	1	3-4
3	Fixed Panel Assembly	1	5

Description Table of Contents	
File Name Series 1050 XO Assembly	REV
Released 8/31/2018	SHEET 1 OF 5

# ASSEMBLY / PARTS LIST (B.O.M.)

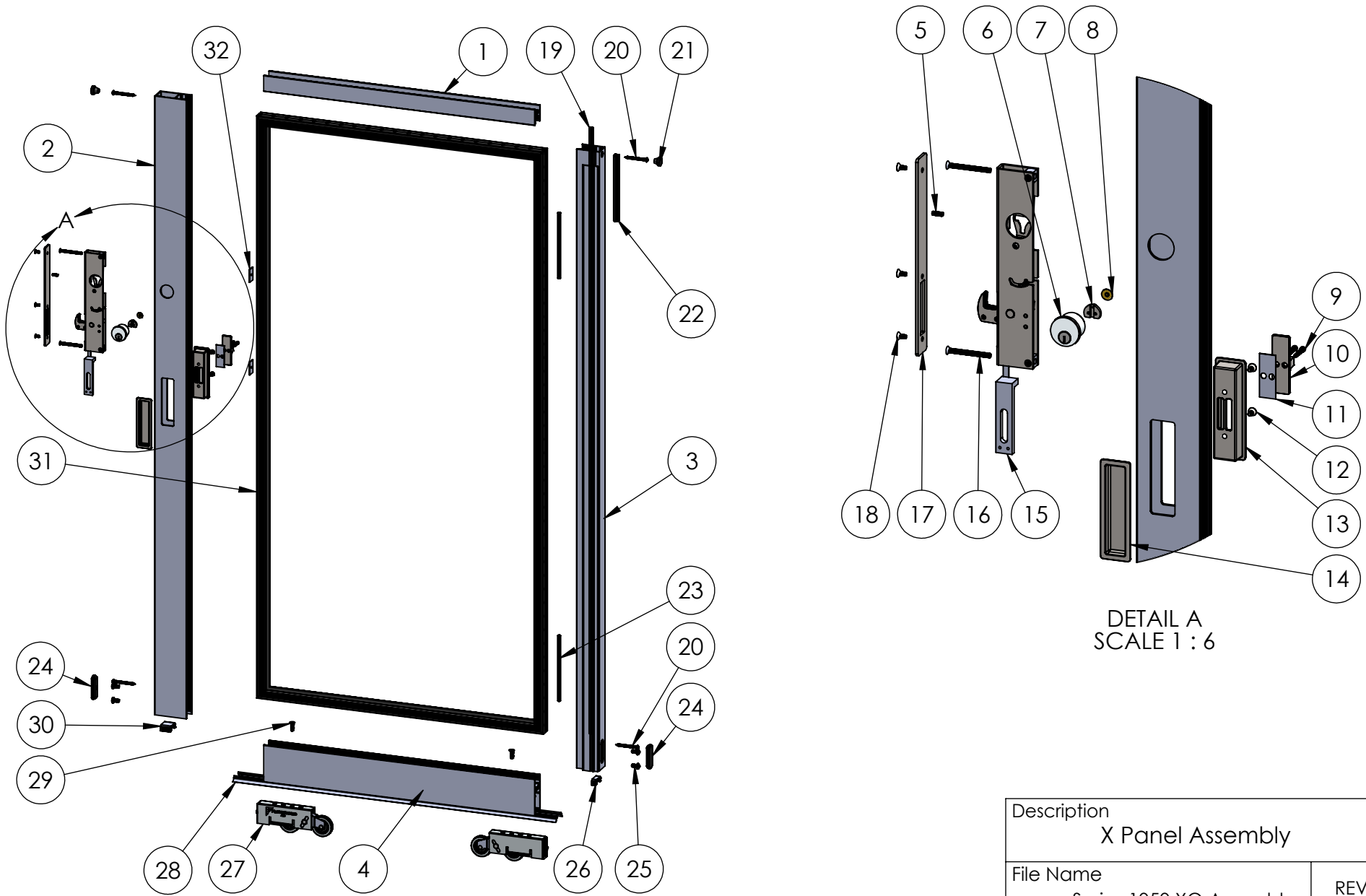


EXTRUSIONS			
ITEM NO.	PART NUMBER	DESCRIPTION	QTY.
1	3702	M/S Track Head	1
2	3014	Head Filler/Closer	1
3	3712	M/S Track Jamb	1
4	3712	M/S Track Jamb	1
5	1092	1" Hidden Track	2
HARDWARE			
ITEM NO.	PART NUMBER	DESCRIPTION	QTY.
6	20345	#10 PHP Screw, 0.75"	8
7	24068	Backup Plate (With Dust Cover)	1
8	24067	Strike Plate	1
9	20278	#10-32 FHP-B-UC Screw, 9/16"	2
10	25497	#8-32 FHP-UC Screw, 0.5"	1
11	25498	#8-32 Locknut with nylon insert	1
12	23006	Stainless steel Track	2
13	19120	Q-Lon Foam Seal	4
14	19118	Weather Strip 23027045BKQB	4

Description Frame Assembly	
File Name Series 1050 XO Assembly	REV
Released 8/31/2018	SHEET 2 OF 5

**PROPRIETARY AND CONFIDENTIAL**  
 THE INFORMATION CONTAINED IN THIS DRAWING IS THE SOLE PROPERTY OF FLEETWOOD WINDOWS & DOORS.  
 ANY REPRODUCTION IN PART OR AS A WHOLE WITHOUT THE WRITTEN PERMISSION OF FLEETWOOD WINDOWS & DOORS IS PROHIBITED.

# ASSEMBLY / PARTS LIST (B.O.M.)



DETAIL A  
 SCALE 1 : 6

**PROPRIETARY AND CONFIDENTIAL**  
 THE INFORMATION CONTAINED IN THIS DRAWING IS THE SOLE PROPERTY OF FLEETWOOD WINDOWS & DOORS.  
 ANY REPRODUCTION IN PART OR AS A WHOLE WITHOUT THE WRITTEN PERMISSION OF FLEETWOOD WINDOWS & DOORS IS PROHIBITED.

Description X Panel Assembly	
File Name Series 1050 XO Assembly	REV
Released	8/31/2018
SHEET 3 OF 5	



# ASSEMBLY / PARTS LIST (B.O.M.)

EXTRUSIONS			
ITEM NO.	PART NUMBER	DESCRIPTION	QTY.
1	3004	Std Top-Rail	1
2	3005	Std Lock Stile	1
3	3006	Std Post-Interlocker	1
4	3009	Int Sliding B-Rail	1

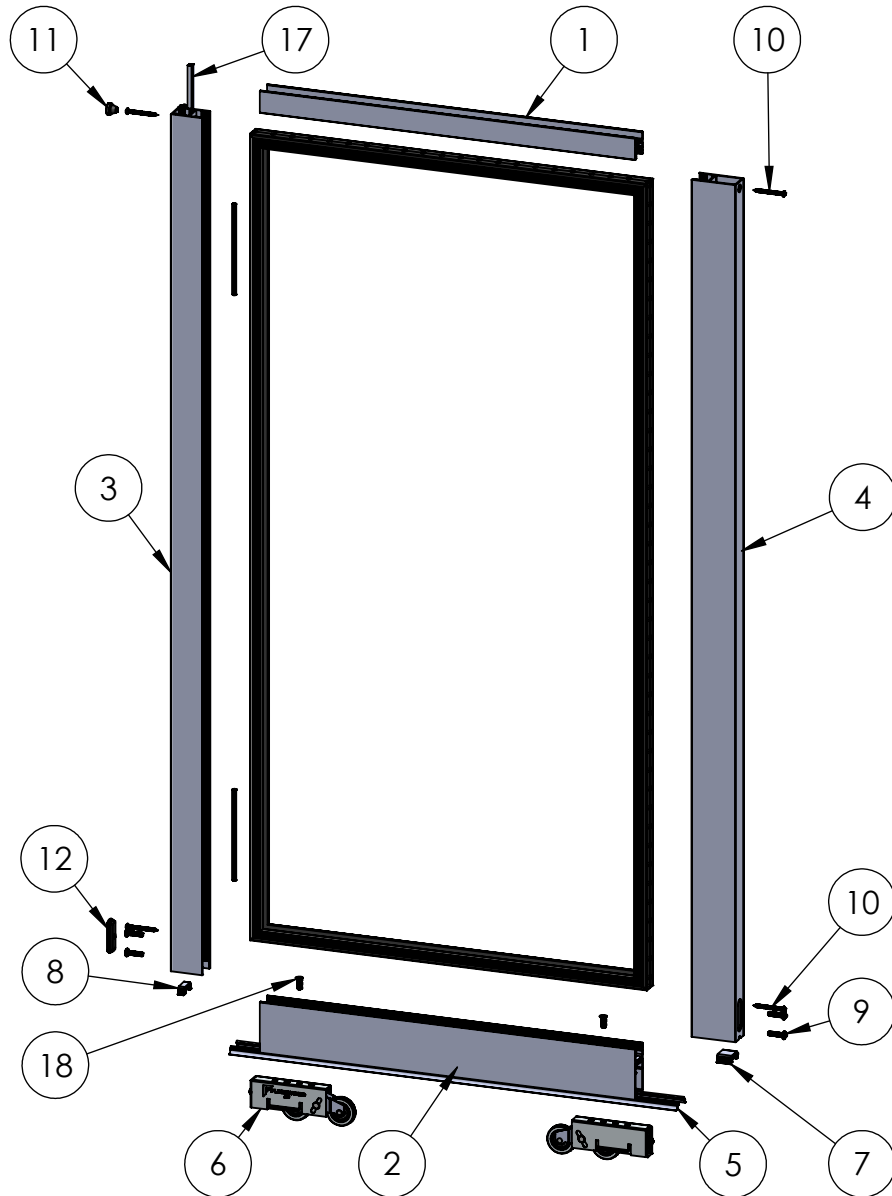
HARDWARE			
ITEM NO.	PART NUMBER	DESCRIPTION	QTY.
5	25330	#8-32 Set Screw, 1/2"	1
6	25426, 25427	Archetype Narrow KD & KA Cylinder Set (Silver)	1
7	24780	Cylinder Cam	1
8	25681	Archetype Narrow Bushing	1
9	25327,	#6-32 Hex Socket Head Cap Screw, 7/8" (Silver)	2
10	25316	Archetype Narrow Flush Actuator (Silver)	1
11	25326	Slider Friction Pad	1
12	25324	#8-32 FHS, 3/8" Long, Hex Countersunk Screw (Silver)	2
13	25313	Archetype Narrow Flush Int. Pocket (Silver)	1
14	25310	Archetype Narrow Flush Ext. Pocket (Silver)	1
15	25319	Archetype Narrow Flush Latch (XO)	1
16	25349	#10-32 FHP-B Screw, 2.0"	2
17	25309	Archetype Narrow Latch Face Plate	1

HARDWARE			
ITEM NO.	PART NUMBER	DESCRIPTION	QTY.
18	24076	#8-32 FH Socket Cap Screw, 3/8",SS	3
19	19117	Large Fin Seal (29027045bkqb)(7578)	1
20	20355	#10 PHP -A, 2", SS, Clear	4
21	20635	Small Round Door Bumper	2
22	24653	Air Barrier Standard Interlock 6"	1
23	22927	Screen Spline .250 / FT	2
24	18630	Oval Panel Plug - Short	2
25	20358	#1/4-20 PHP - B, 3/4", SS, Clear	4
26	19142	Small Bottom Vent Clip	1
27	20514	A2 Roller	2
28	19064	Sill, Wipe, Bottom Vinyl, BL-122	2
29	20305	.25-20 FHP Screw, 0.75"	2
30	19141	Large Bottom Vent Clip	1
31	22909	1" Glazing Vinyl	1
32	18671	Back Up Plate, No 10-32 .075 thk	2

Description X Panel B.O.M.	
File Name Series 1050 XO Assembly	REV
Released 8/31/2018	SHEET 4 OF 5

**PROPRIETARY AND CONFIDENTIAL**  
 THE INFORMATION CONTAINED IN THIS DRAWING IS THE SOLE PROPERTY OF FLEETWOOD WINDOWS & DOORS.  
 ANY REPRODUCTION IN PART OR AS A WHOLE WITHOUT THE WRITTEN PERMISSION OF FLEETWOOD WINDOWS & DOORS IS PROHIBITED.

# ASSEMBLY / PARTS LIST (B.O.M.)



BOM Table

ITEM NO.	PART NUMBER	DESCRIPTION	QTY.
1	3004	Std Top-Rail	1
2	3009	Int Sliding B-Rail	1
3	3006	Std Post-Interlocker	1
4	3005	Std Lock Stile	1
5	19064	Sill, Wipe, Bottom Vinyl, BL-122	2
6	20514	A2 Roller	2
7	19141	.930 Length Bottom Vent Clip	1
8	19141	.393 Length Bottom Vent Clip	1
9	20358	#1/4-20 PHP - B, 3/4", SS, Clear	4
10	20355	#10 PHP -A, 2", SS, Clear	4
11	20635	Small Round Door Bumper	1
12	18630	Oval Panel Plug - Short	1
13	24653	Air Barrier Standard Interlock 6"	1
14	19120	Q-Lon (U5212)	1
15	22927	Screen Spline .250 / FT	2
16	22909	1" Glazing Vinyl	1
17	19117	Large Fin Seal (29027045bkqb)(7578)	1
18	20305	.25-20 FHP Screw, 0.75"	2

Description  
Fixed Panel Assembly

File Name  
Series 1050 XO Assembly

REV

**PROPRIETARY AND CONFIDENTIAL**  
THE INFORMATION CONTAINED IN THIS DRAWING IS THE SOLE PROPERTY OF FLEETWOOD WINDOWS & DOORS.  
ANY REPRODUCTION IN PART OR AS A WHOLE WITHOUT THE WRITTEN PERMISSION OF FLEETWOOD WINDOWS & DOORS IS PROHIBITED.