

Table of Contents

I. Glazing Assembly.....	2
II. "X" Panel Assembly .....	2
1. "X" Panel .....	2
2. Add Yokes to Meeting Stiles .....	4
III. Frame Assembly.....	5
IV. Frame Opening Verification .....	6
V. Frame Installation .....	7
VI. Sill Track Installation.....	8
VII. Sill Track Removal.....	8
VIII. Pocket Closer and Head Bumper Installation .....	9
IX. Pocket Interlocker Installation.....	10
X. Pocket Interlocker Clip Installation and Removal .....	10
XI. Panel Installation .....	11
XII. Head Closer Installation .....	12

ASSEMBLY & INSTALLATION INSTRUCTIONS

**I. Glazing Assembly**

1. Start attachment of glazing vinyl at top center of the glass.
2. Cut glazing vinyl at all four corners as shown in Detail "A".
3. At start/end point (seam), cut glazing vinyl 1/8" oversize to compensate for stretching. Apply sealant to top portion of this seam.
4. Apply a bead of sealant that is compatible with the insulated glass seal to all four *exterior* corners as shown in Detail "A".

Notes:

- a. The glass thickness, net width and height must be to size within +/- 1/32".
- b. Failure to install according to these instructions nullifies all warranties related to this product.

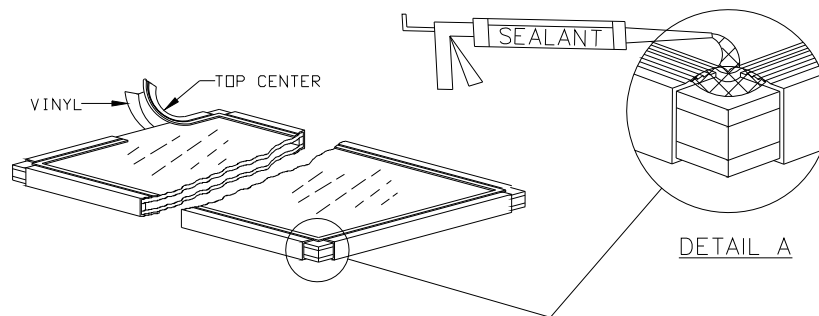


Figure 1

**II. "X" Panel Assembly**

**NOTE:** Match door configuration and panel orientation with customer order. Configuration and orientation of panels shown in assembly instructions is for illustration purposes only.

**1. "X" Panel**

- Adjust the roller assemblies (2 required per "X" panel) to the full up right position using the adjustment screw.
- Attach roller assembly to both ends of bottom rail as shown in figure 2.

**Roller Adjustment**

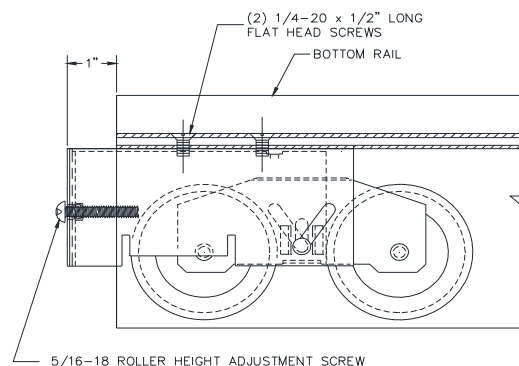


Figure 2

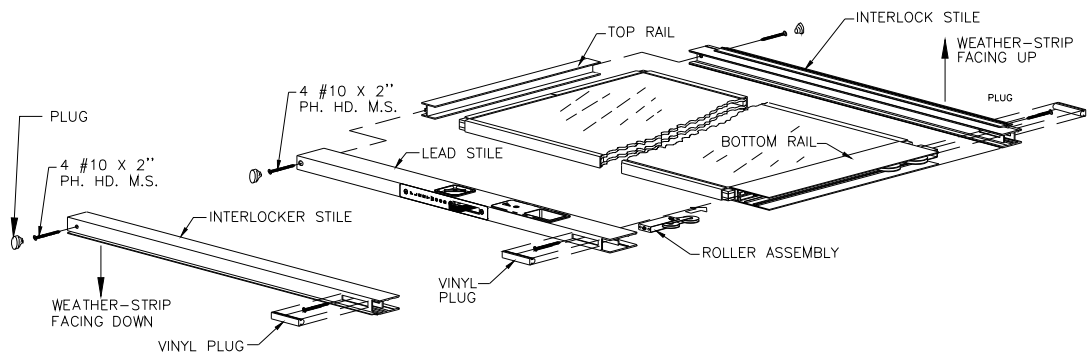
Note: Prior to adjusting the roller on **ANY** door you **must** first remove the weight of the panel.

- Center the top rail onto the glass. Using a rubber mallet, drive the rail onto the glass until the rail seats against the vinyl lip. Repeat this procedure with the bottom rail.

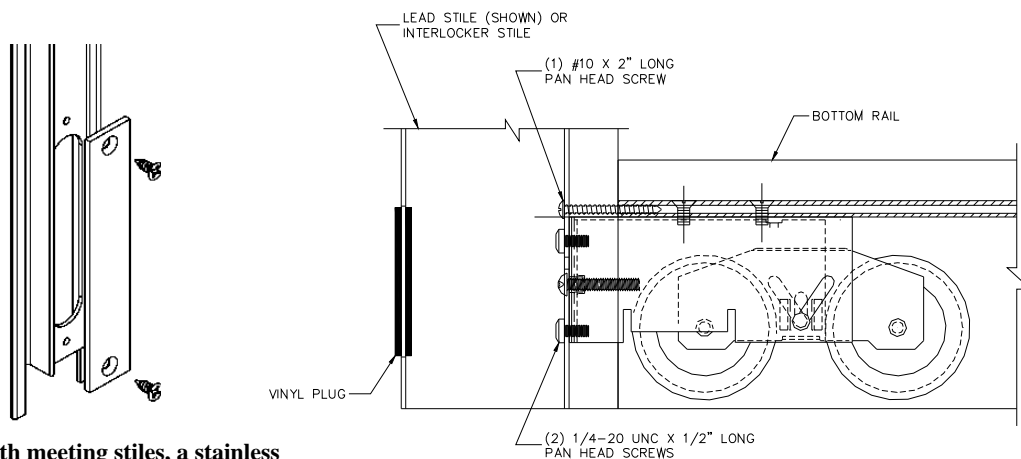
**(Note: Before installing lead and interlocker stiles to panels please check required orientation with customer order.)**

General rules on panel and stile orientation:

- Operating hardware or thumb turns are always to the interior.
  - On panels with interlocker stiles at both ends, weather stripping should be oriented so that one end is facing up and the other facing down.
- Position the interlocker stile on the right side and drive it onto the glass.
  - Position the lead stile or interlocker stile on the left side and drive it onto the glass..
  - Secure the stiles to the rails with (4) #10 x 2" pan head screws (see figures 3 & 4). Add wax to the ends of all fasteners to reduce the drive torque required for installation.
  - Install (2) 1/4-20 UNC x 1/2" long pan head screws to bottom of interlocker stile or lead stile. Screws attached vertical rails to Roller Housing (see figure 4).



**Figure 3**



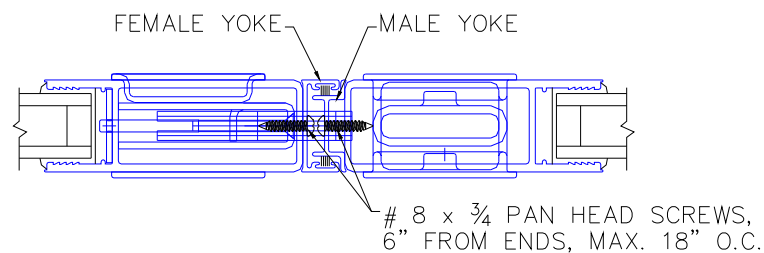
**Figure 4**

**On doors with meeting stiles, a stainless steel cover is provided to cover the oblong holes at the bottom of the lead stiles.**

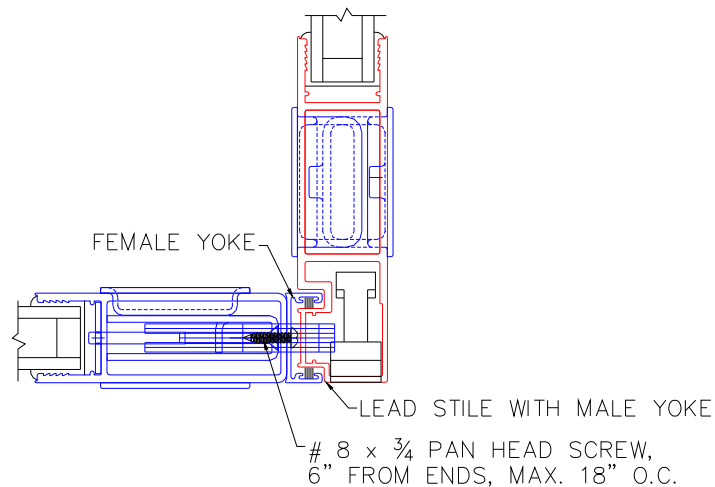
## 2. Add Yokes to Meeting Stiles

### General Rules:

- Latching hardware for typical installation is located in the right hand panel (facing exterior), customer has option to reverse at the time of order.
- Female yoke is attached to the stile containing the latch mechanism.
- Install male and female yokes with #8 x 3/4" screws, 6" from ends, maximum 18" on centers. Installation of male yoke not required for one-piece 90-degree stile (see figure 6).



**Figure 5: In-Line Meeting Stiles**



**Figure 6: 90-Degree Meeting Stiles**

### III. Frame Assembly

1. It is recommended that one pre-drilled hole be added in each jamb(s) for use during installation.
2. sill riser (optional on 1/2" ADA sill) is included, insert riser tab into sill pocket and slide together.
3. Attach the jamb(s) to the head using #10 x 3/4" long pan head screws (Note: please check that the screws pass through jamb(s) and into the screw raceways in the head).
4. Attach the jamb(s) to the sill using #10 x 3/4" long pan head screws (Note: please check that the screws pass through jamb(s) and into the screw raceways in the sill).

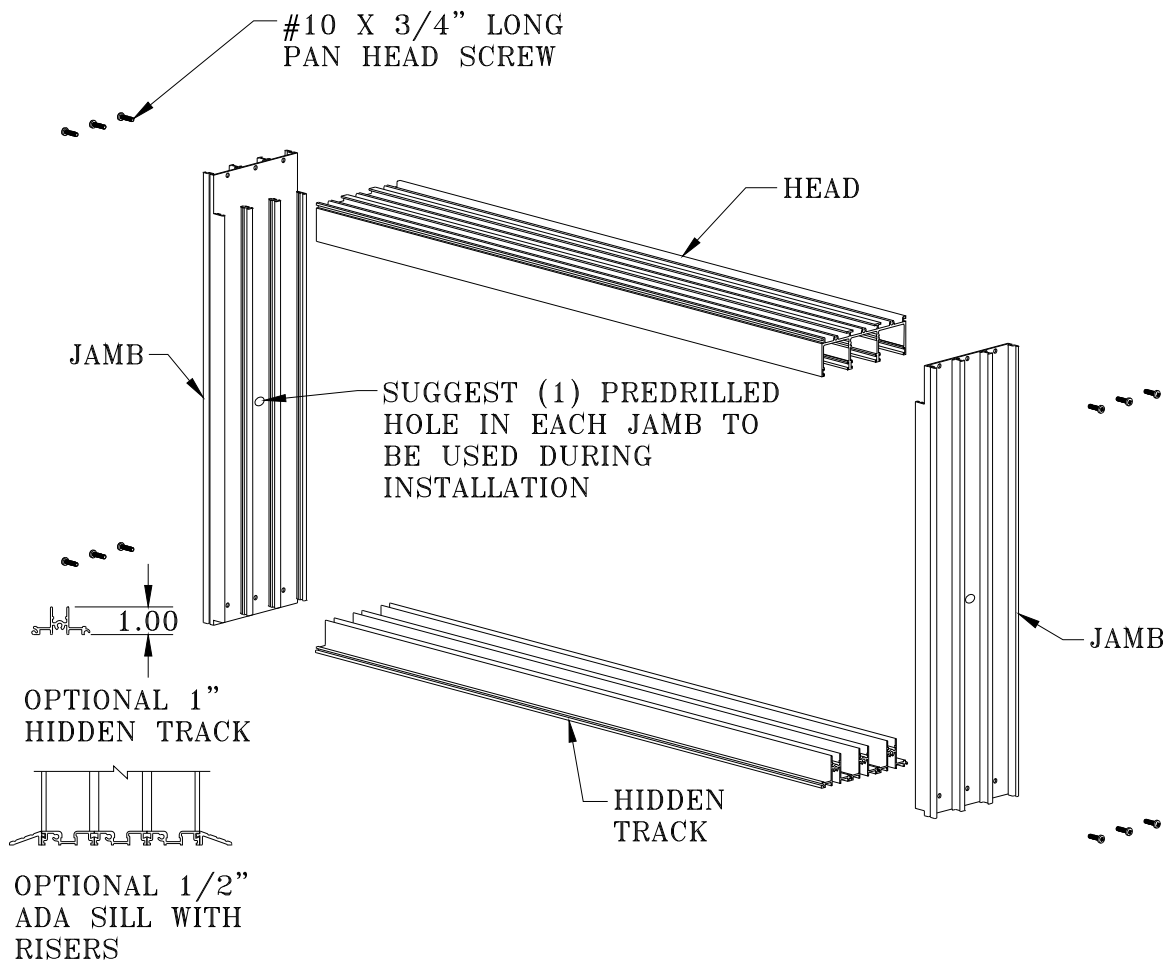


Figure 7

Note: The Series 3050 / Series 1050 Door was designed for interior applications.

#### IV. Frame Opening Verification

1. Check the measurement of the opening and verify that the door will fit into the opening.
2. Set the door frame into the opening.
3. Measure the net frame height at the center and at the jamb mid points.
4. Center the frame in the opening. Temporarily secure the jambs in place using nails through the predrilled holes in the jambs.
5. Level the sill.

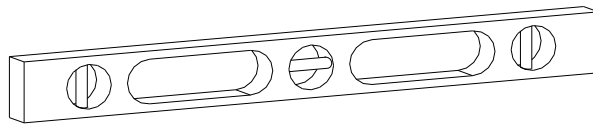
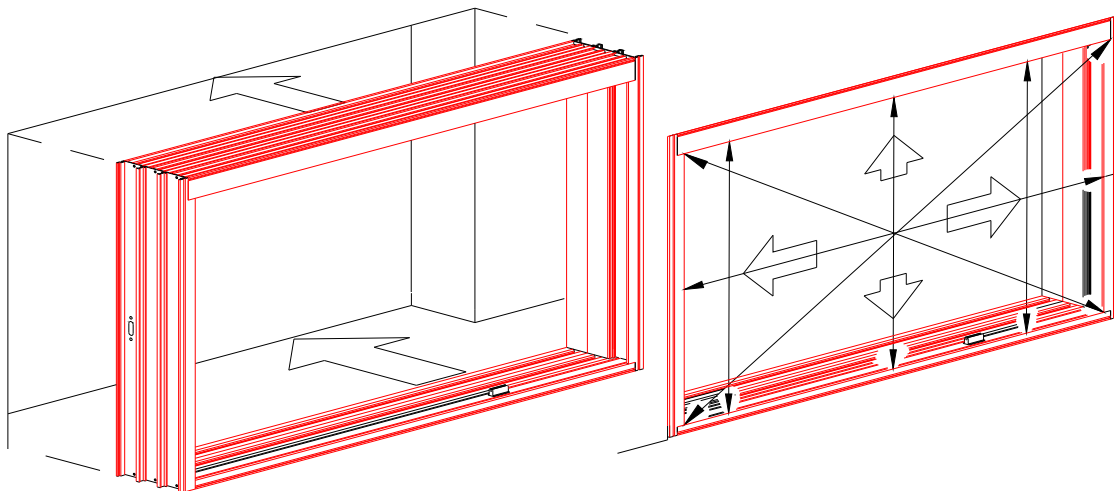


Figure 8

6. Shims should be the full depth with no unsupported distance between shims more than 12 inches.
7. To insure the proper performance of the door, the horizontal centerline of the frame must be equal to the net frame width at the head and sill.
8. To insure a square door frame, measure diagonally from corner to corner. When diagonal measurements are equal, the frame is square.



- SET THE DOOR FRAME INTO THE OPENING.

Figure 9

## V. Frame Installation

1. Glue down standard 1½" Hidden Track or optional ½" ADA Sill or optional 1" Hidden Track with compatible sealant or secure by other means. (Note: It is the installer's responsibility to protect the sill from materials that may cause electrolysis.)
2. Attach frame to structure as shown below. On pocket doors it is important to locate the frame 3/8" from the inside pocket wall where a post interlocker and clip are used to allow for proper interlocking of panel with post interlocker. On installations where the post interlocker clip is only used, a 5/16" distance is required. See figures below for more information. Note: Size and location of fasteners to be per local code. Frame installation anchors furnished by installer, not by series. Stainless steel screws are recommended.

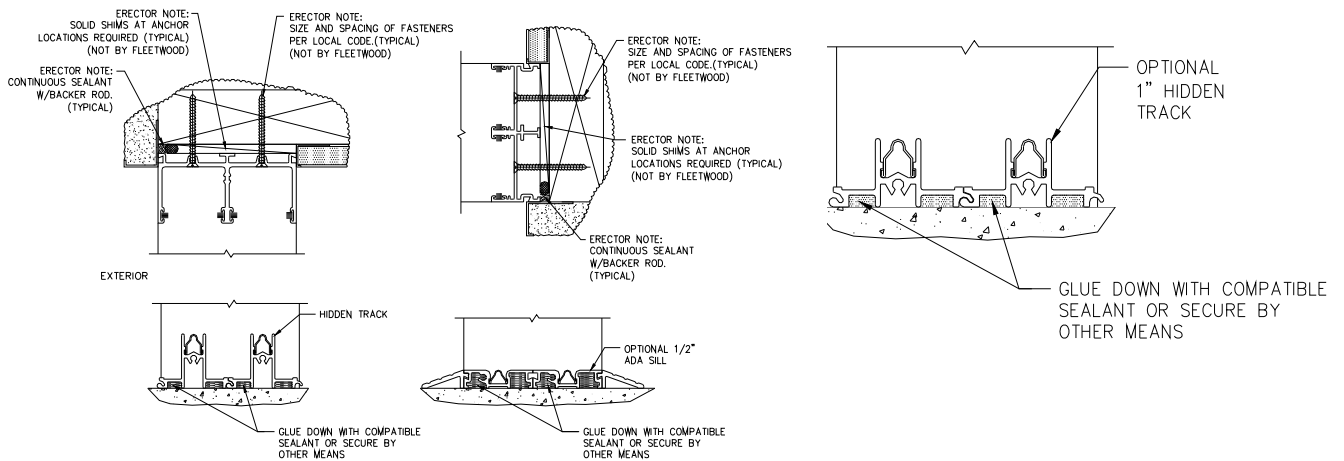
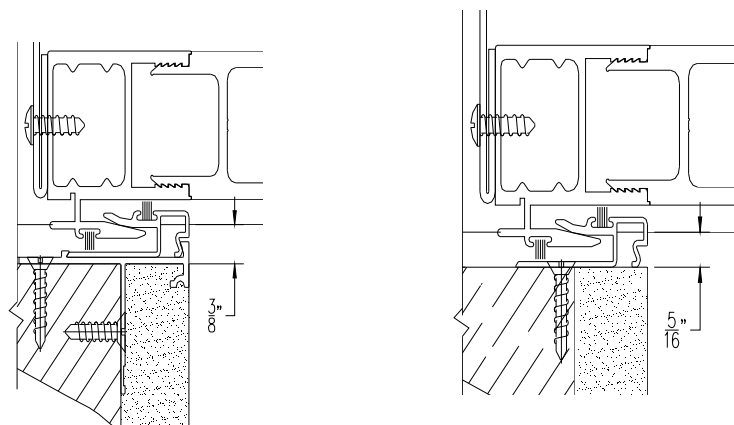


Figure 10



Post Interlocker With Clip

Post Interlocker Clip Only

Figure 11

## VI. Sill Track Installation

1. Using a pair of pliers, slightly squeeze one end of the track to create a tapered edge.
2. Push tapered edge of track into the sill.
3. Using a rubber mallet, tap the track into the sill.

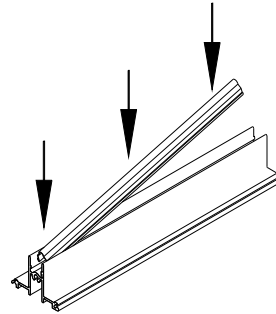
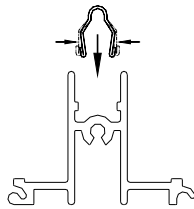


Figure 12

## VII. Sill Track Removal

1. Using a pair of pliers, slightly squeeze the track together at one end and pull up.
2. Using a screwdriver, slowly pry the track out of the sill. Although you can reinsert the track, we recommend a new track be installed for optimal performance of sliding door.

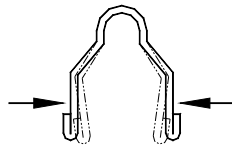
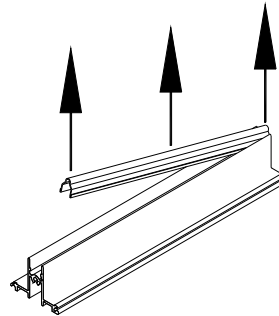


Figure 13





**VIII. Pocket Closer and Head Bumper Installation**

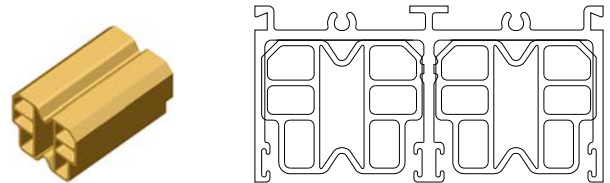
1. A head bumper is required in the head of each sliding panel track unless the panels contain door collectors, wind load adapters or high performance extrusions. See the Multislide drawing provided at the time of the order for exact length and number of door bumpers required.
2. If no drawing is available, use a 2-5/8" long head bumper for PX and XP configurations. For configurations with two or more glass panels (PXX, PXXX, etc.) use a 2" head bumper in the track of the longest panel. To determine the length of the head bumpers for the remaining tracks measure the width of each panel. Subtract the measured panel width from the longest panel width plus the head bumper length for that panel (either 2" or 2-5/8").

Example:

- Longest panel width is 47.00 plus the head bumper for that panel is 2.00, total equals 49.00.
- Subtract the measured panel width of other panels from the 49.00. ( $49.00 - 45.62 = 3.38$ )
- The 3.38 dimension is the required bumper length for that panel.

3. Install head bumpers into head as shown.

Figure 14



4. Drill .136 diameter holes (#29 drill) thru pocket closer and one wall of interlocker. Holes to be located 6" from top and bottom of pocket closer, then evenly spaced on 12" centers. Assemble pocket closer to back side of interlocker with #10 x 3/4" long pan head screws as shown.

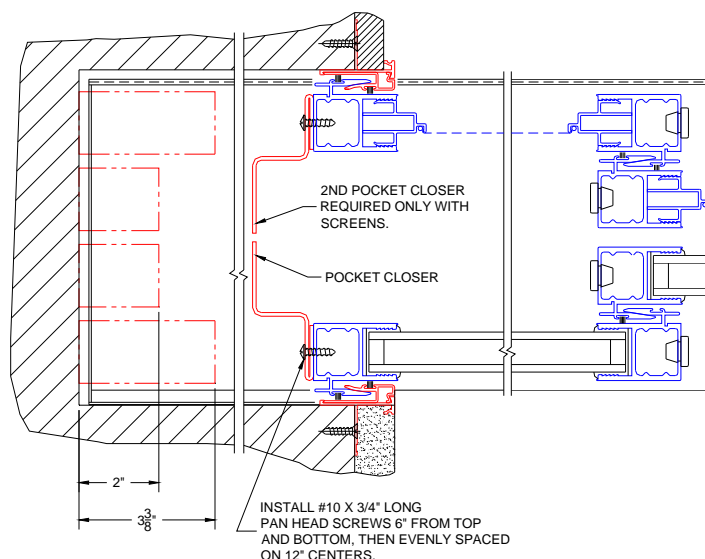
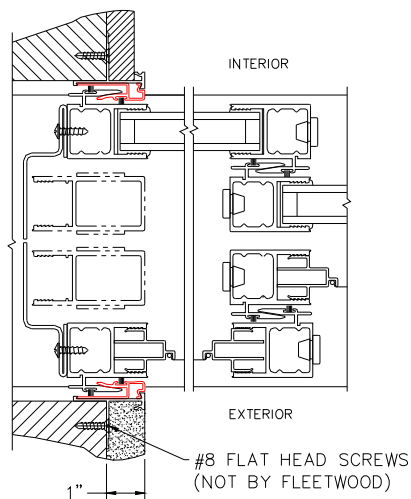


Figure 15

### IX. Pocket Interlocker Installation

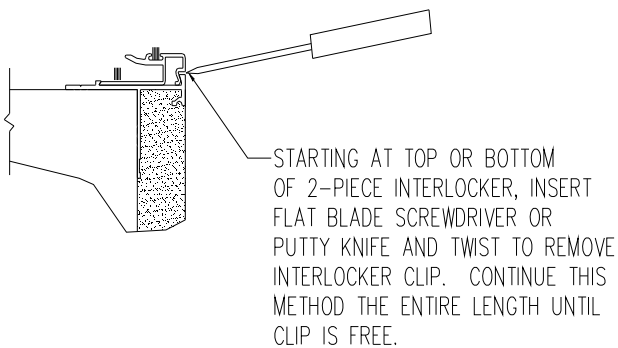
1. Assuming that all door and screen panels will be installed from the exterior, the interior pocket interlocker is installed before any screen or door panels.
2. Pocket interlockers are furnished net frame height and must be field cut.
3. Attach pocket interlocker(s) with #8 flat head screws, not by Series. Install screws 6" from top and bottom with additional screws on 18" centers.



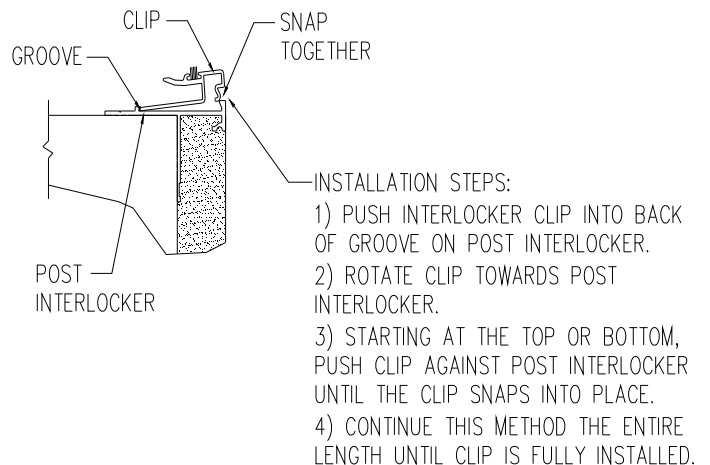
**Figure 16**

### X. Pocket Interlocker Clip Installation and Removal

#### Pocket Interlocker Clip Removal



#### Pocket Interlocker Clip Installation



**Figure 17**

## XI. Panel Installation

- Note:**
- Check customer order for proper panel configuration and orientation.
  - Pocket walls: Installer to flash inside pocket walls to adequately protect from moisture.
  - On pocket doors, installation of panels should be completed before construction of pocket is complete.

- Sequence of panel installation is from interior to exterior.
- Insert panel (panel located on the track closest to the interior) into the upper head channel. Push up and swing the bottom inward until panel is vertical, then lower panel down onto the track. (Note: On PX or XP configurations, if the pocket construction has been completed, it may be necessary to remove the lead stile from the panel before installation into the frame can be accomplished.)

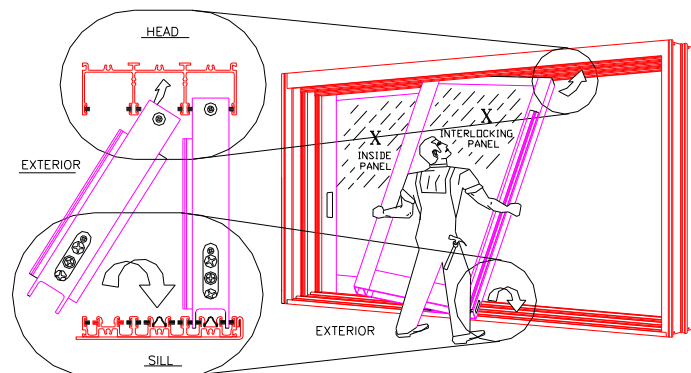


Figure 18

- **“X” Panel** - Do not attempt to slide the panel unless the rollers have been adjusted. Adjust the rollers as needed to make the panel plum and level. If the panel contains a lock stile, verify that the latch height is correct for proper operation with the frame. Insert vinyl plugs into the holes at top and bottom of the panel.
- **“O” Panel** - Lift and move the panel into the fixed jamb as far as possible. Verify that the weather stripping in the frame head is located so that it contacts the width of the “O” panel. Installing the fixed panel security screw: Using a 1/16” diameter bit, drill a hole into the fixed stile through the hole shown in Fig. 19. Then insert a black #8 x 3/4” self threading screw.

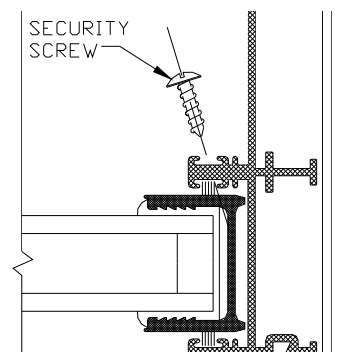


Figure 19

- On pocket doors with an exterior pocket interlocker, move panel into the closed position; otherwise move panel into the wall pocket.

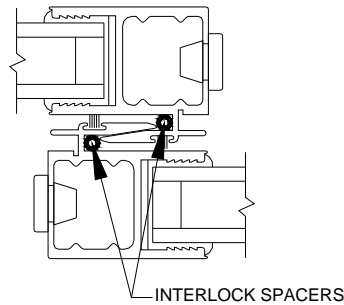


Figure 20

Repeat steps 2-5 until all panels have been installed. (Note: panels must overlap during installation to allow proper engagement of interlockers.)

- Verify that all panels with interlocker hooks engage properly. If lead stile panel is not engaging properly with the jamb or meeting stiles, remove interlock spacers as necessary.

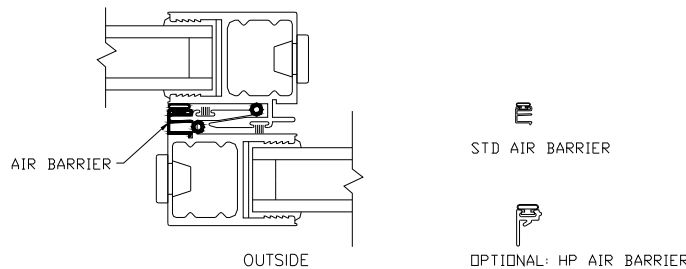


Figure 21

- Two 6" plastic air barriers (per interlocker set) are provided in the screw pack. Snap these in the back of all exterior interlockers at the top and bottom (See Fig. 21).

## XII. Head Closer Installation

Install head closer(s) into the head except where the closer interferes with sliding panel(s).

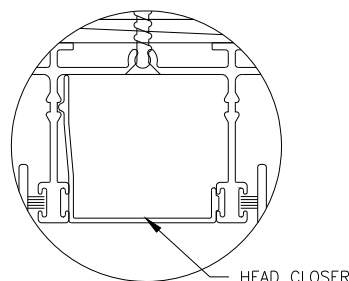


Figure 22