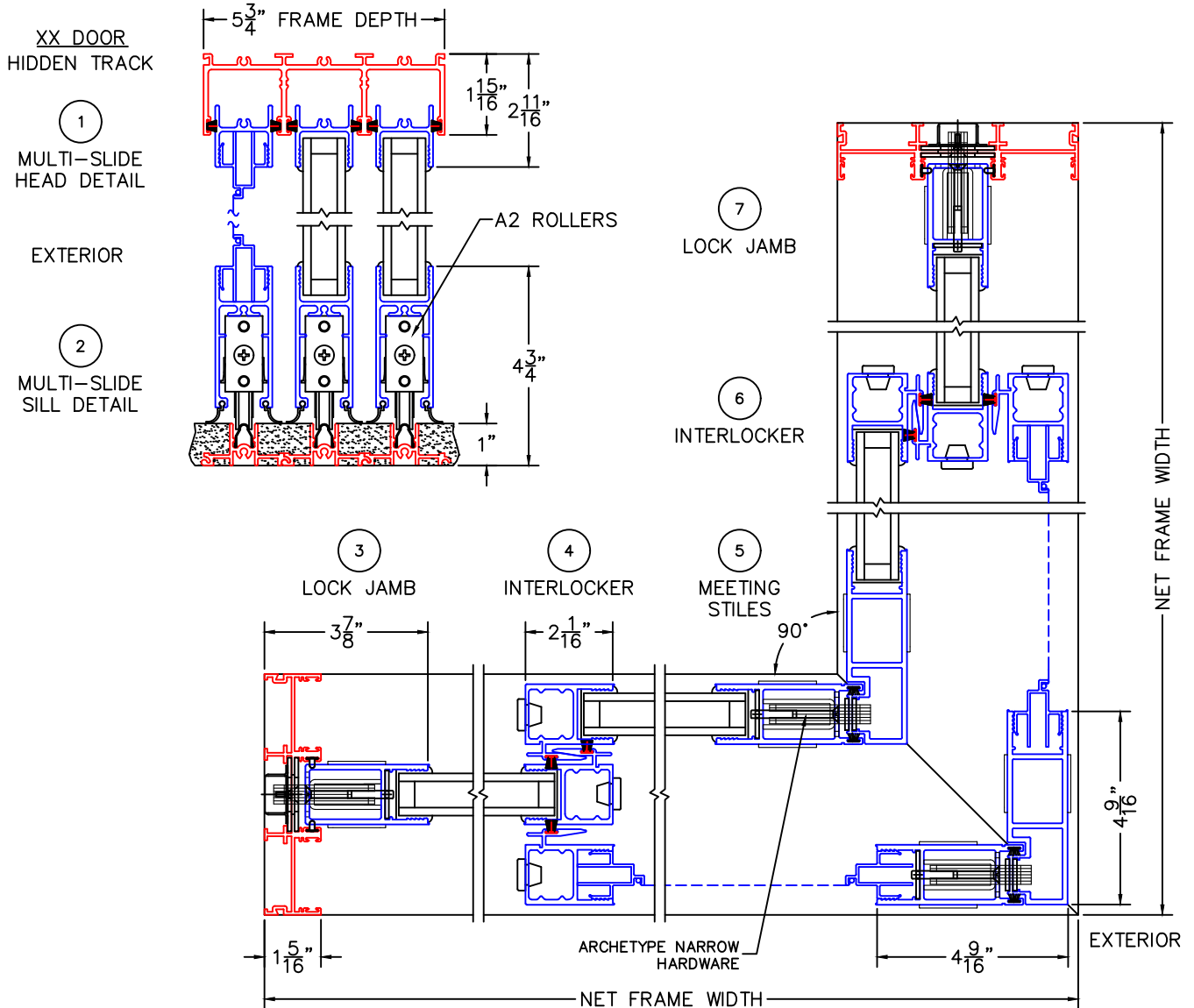
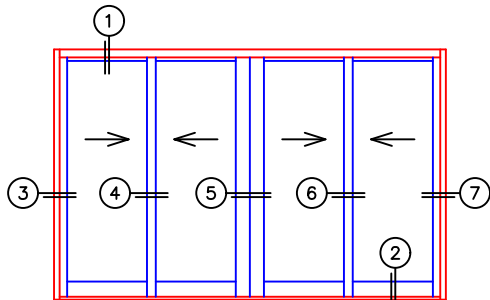


0 1 2 3 4 5 6  
 (USE RULER TO SCALE DIMENSIONS IN INCHES)  
**SCALE: 1/4**

MULTI-SLIDE CORNER DOOR  
W/SCREENS DETAILS  
 90°XXVXX SHOWN



NOTE: CENTERLINES ARE NOT DIVIDED EQUALLY;  
 CONFIRM CENTERLINES WHEN REQUIRED.



XXVXX DOOR

-GLASS PENETRATION: 11/16"  
 -FOR ADDITIONAL OPTIONS AND UPGRADES  
 SEE SHEET 1050-07

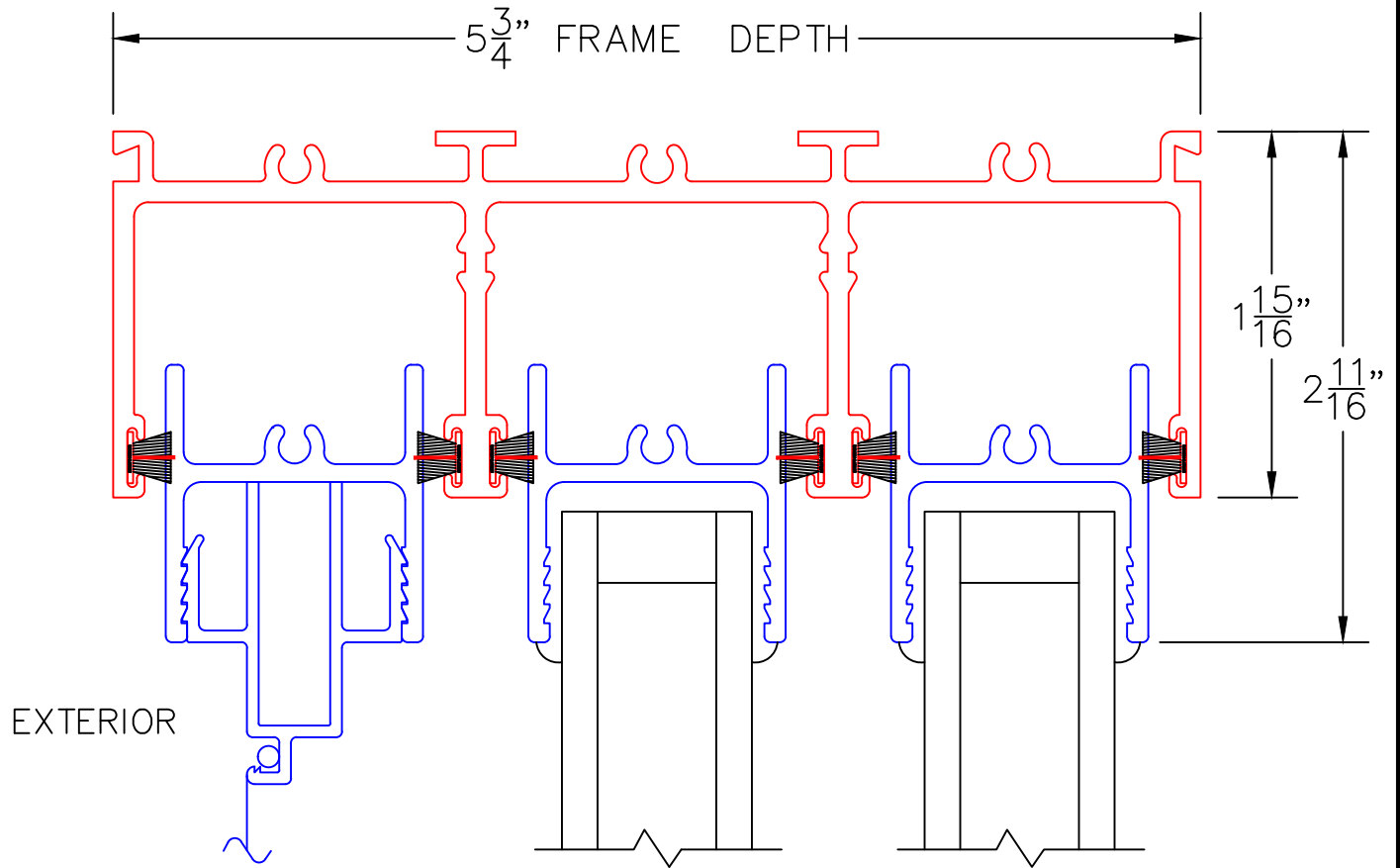
NOTE: PANELS DO NOT FLUSH STACK

0 0.5 1  
(USE RULER TO SCALE DIMENSIONS IN INCHES)  
**SCALE: FULL**

XX DOOR  
HIDDEN TRACK

1

MULTI-SLIDE  
HEAD DETAIL



0 0.5 1  
(USE RULER TO SCALE DIMENSIONS IN INCHES)  
**SCALE: FULL**

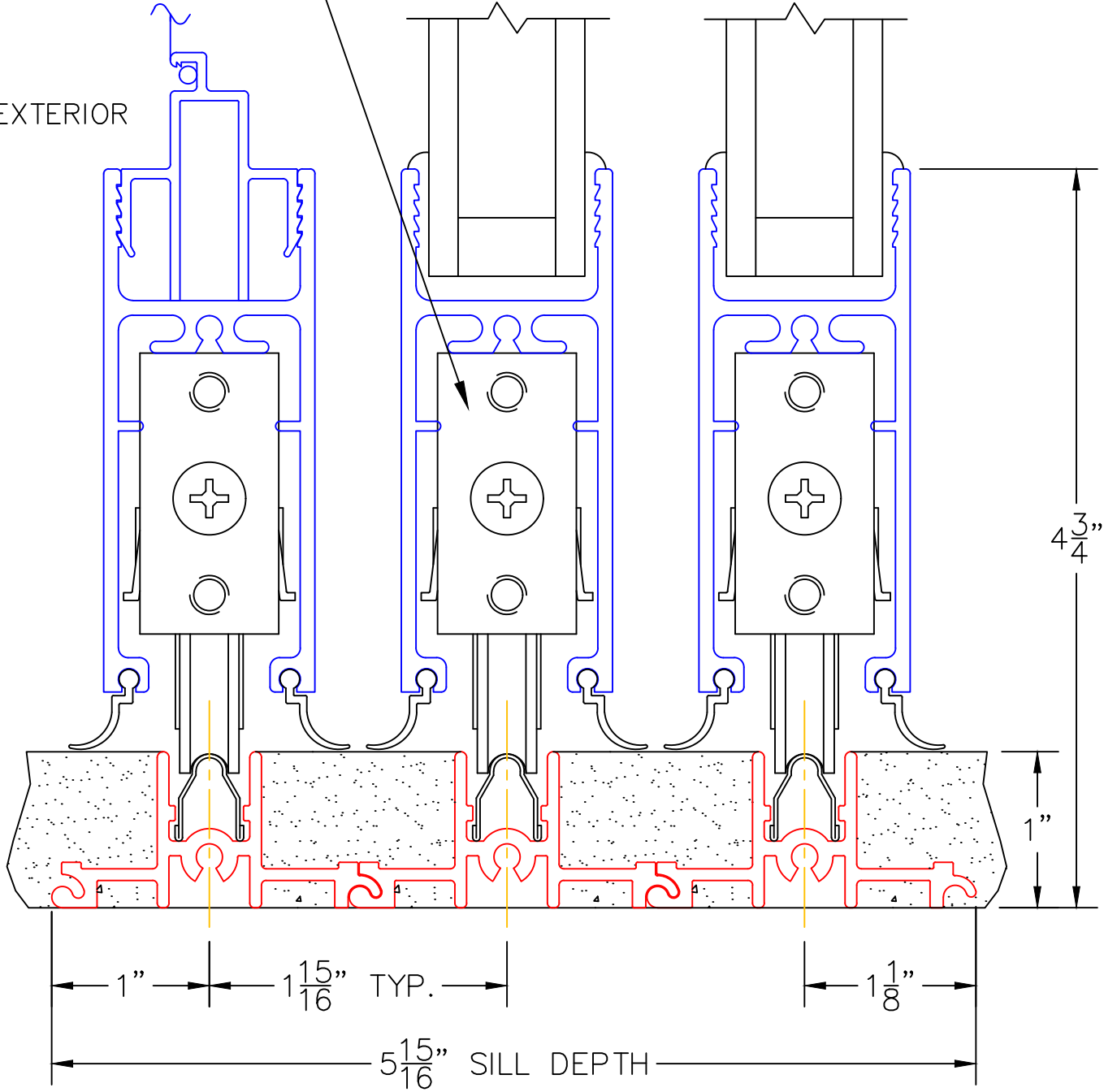
XX DOOR  
HIDDEN TRACK

2

MULTI-SLIDE  
SILL DETAIL

A2 ROLLERS

EXTERIOR

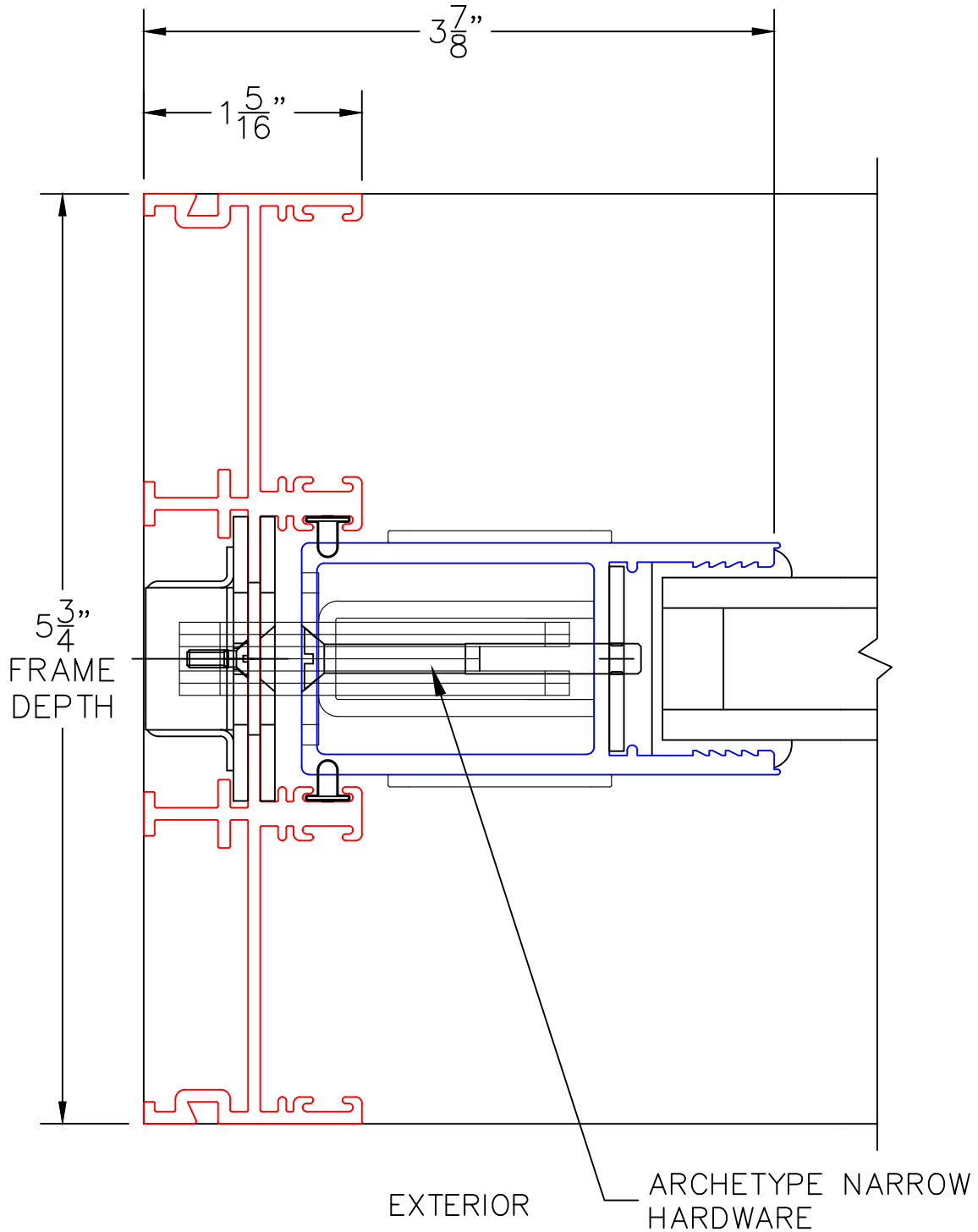


0 0.5 1  
(USE RULER TO SCALE DIMENSIONS IN INCHES)  
**SCALE: FULL**

XX DOOR  
HIDDEN TRACK

3

LOCK JAMB



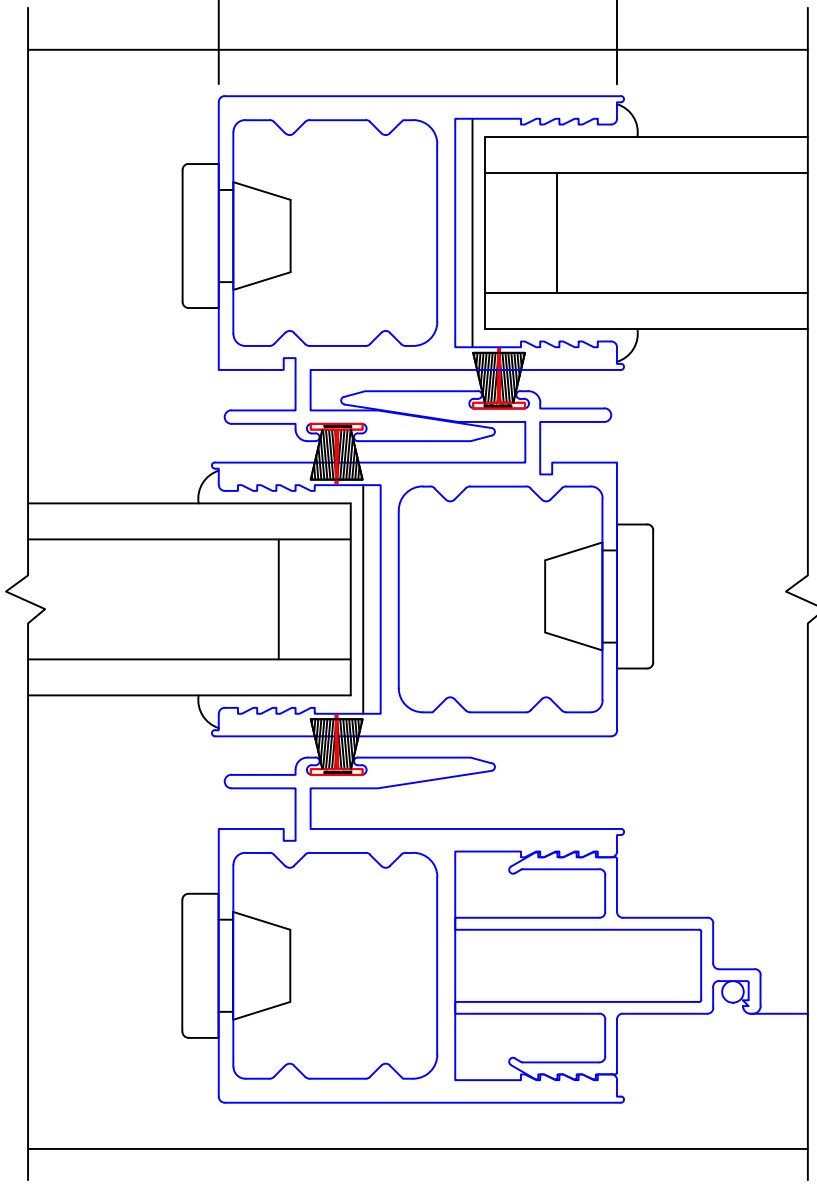
0 0.5 1  
(USE RULER TO SCALE DIMENSIONS IN INCHES)  
SCALE: FULL

XX DOOR  
HIDDEN TRACK

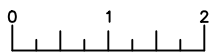
4

INTERLOCKERS

$2\frac{1}{16}$ "



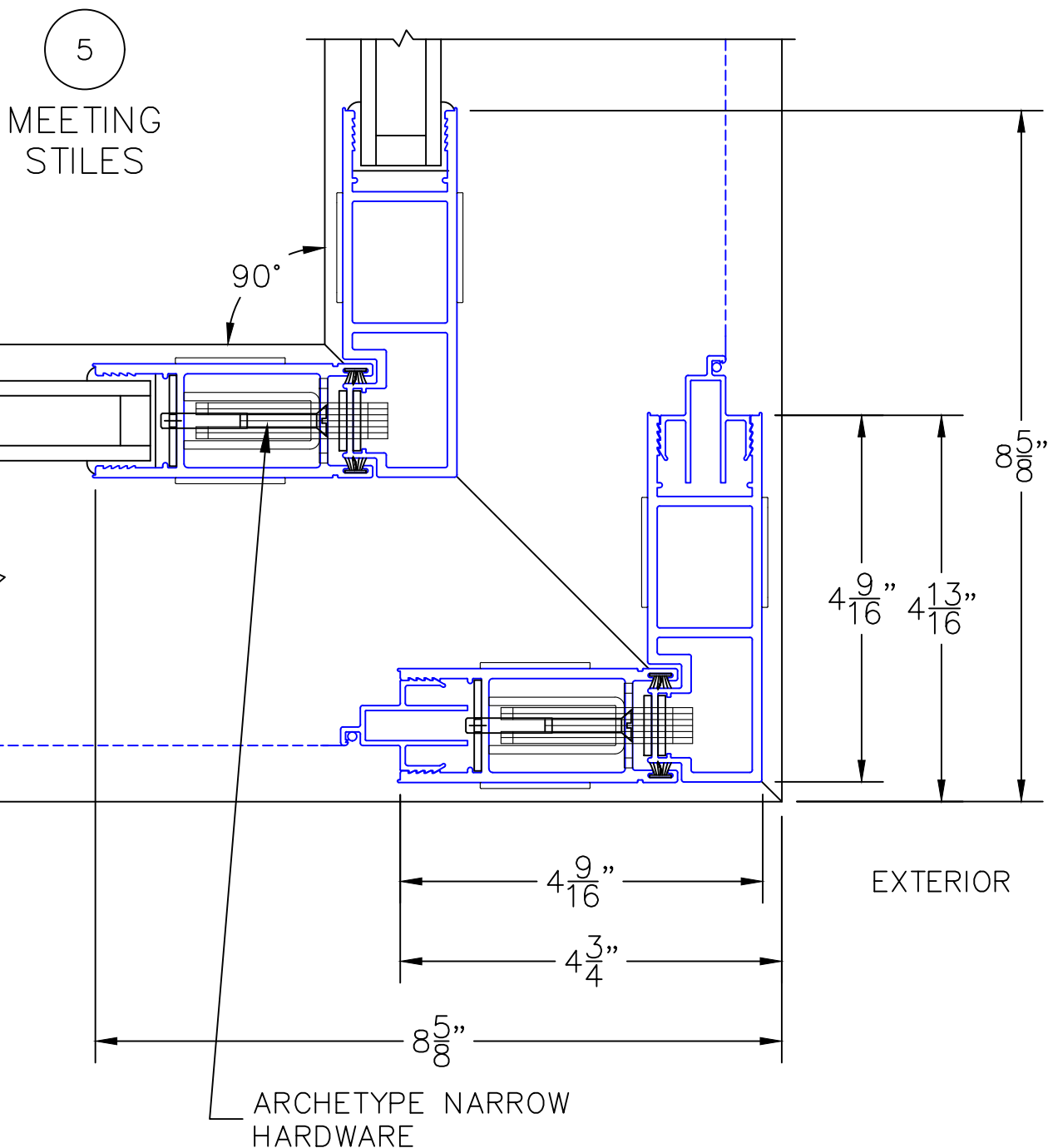
EXTERIOR



(USE RULER TO SCALE DIMENSIONS IN INCHES)

SCALE: 1/2

90°XXVXX DOOR  
HIDDEN TRACK

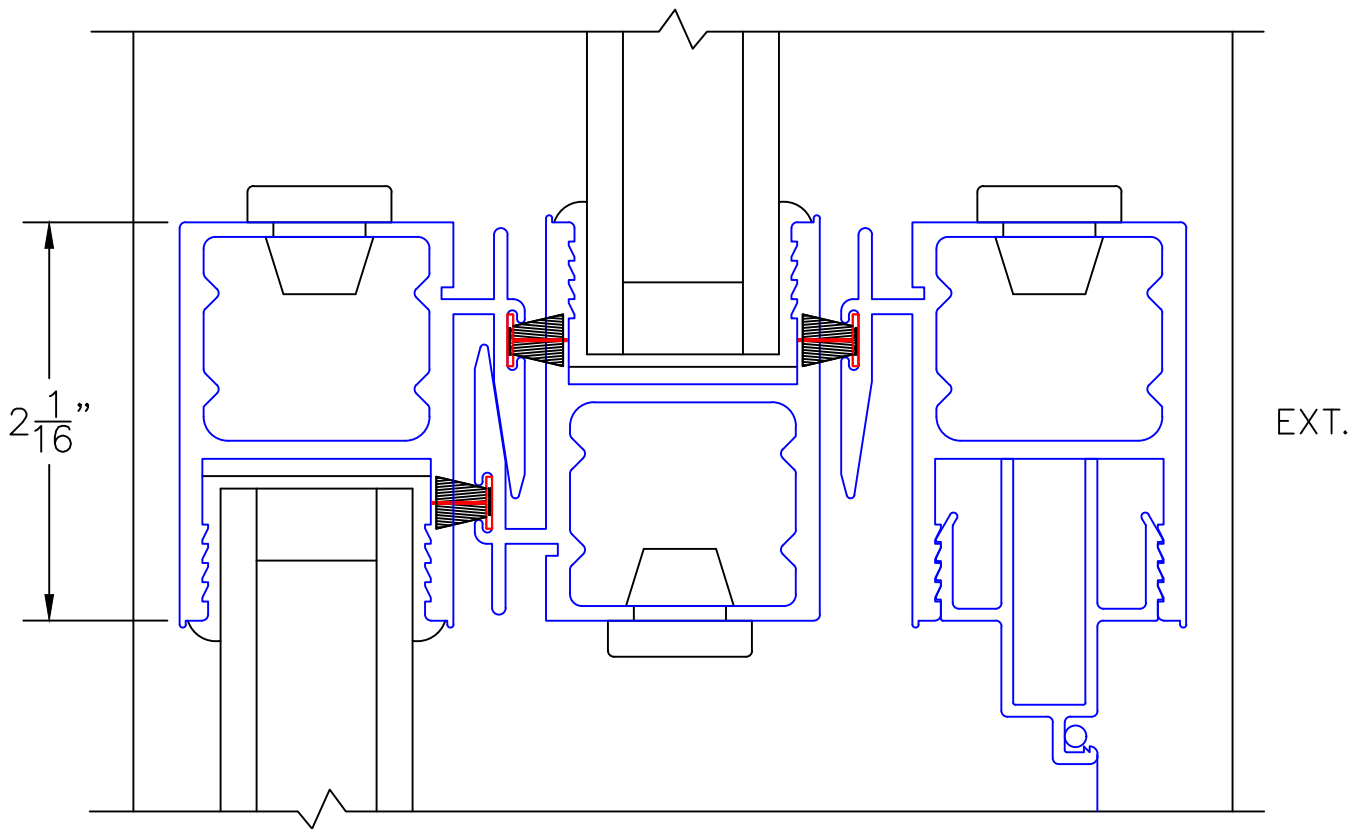


0 0.5 1  
(USE RULER TO SCALE DIMENSIONS IN INCHES)  
SCALE: FULL

XX DOOR  
HIDDEN TRACK

6

INTERLOCKERS



0 0.5 1  
(USE RULER TO SCALE DIMENSIONS IN INCHES)  
**SCALE: FULL**

XX DOOR  
HIDDEN TRACK

7

LOCK JAMB

