

(USE RULER TO SCALE DIMENSIONS IN INCHES)

SCALE: 1/4

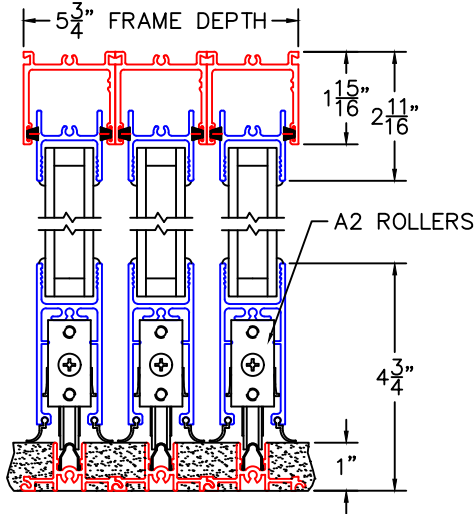
MULTI-SLIDE CORNER DOOR DETAILS
90°XXXVXXP SHOWN

XXX DOOR
HIDDEN TRACK

1
MULTI-SLIDE
HEAD DETAILS

EXTERIOR

2
MULTI-SLIDE
SILL DETAILS

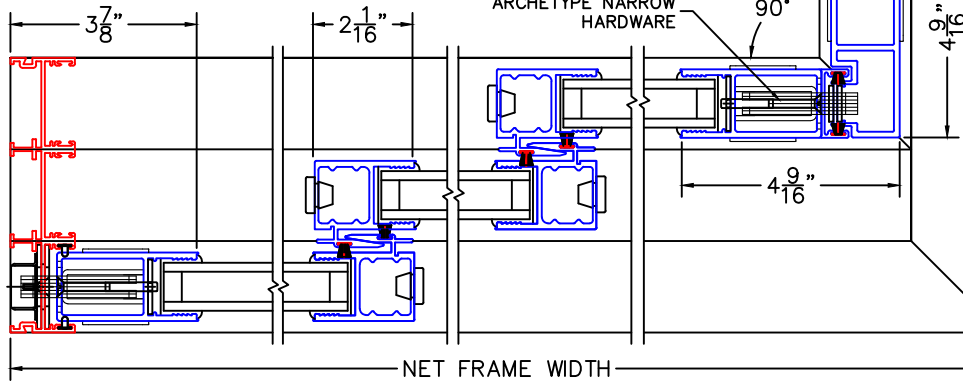


5
LOCK JAMB

6
INTERLOCKER

7
INTERLOCKER

8
MEETING
STILES



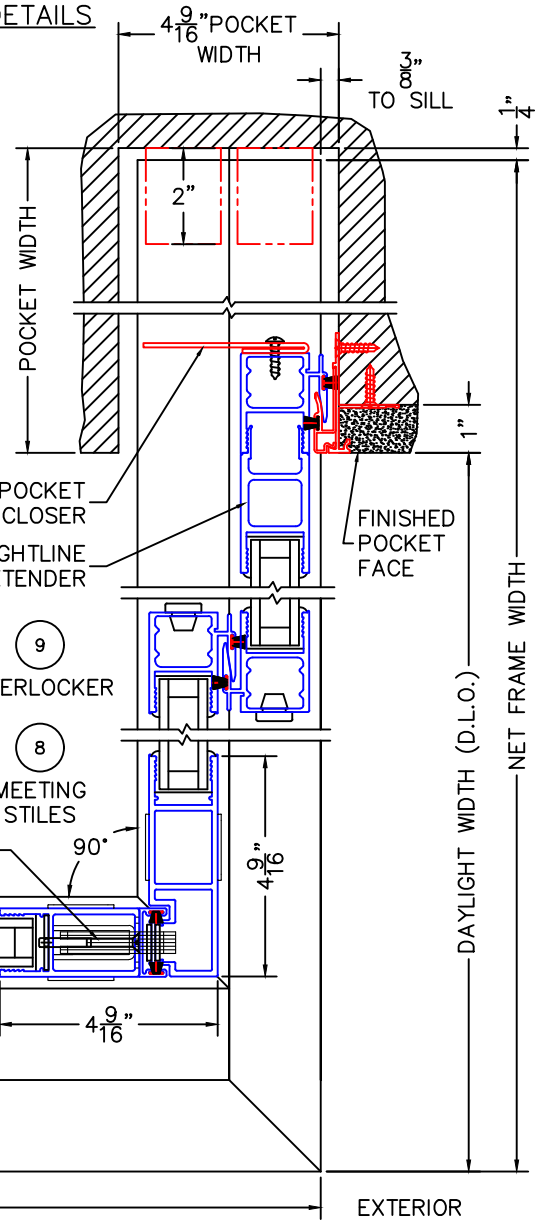
11
POCKET
JAMB

10
2-PIECE
POCKET
INTERLOCKER

POCKET CLOSER

2-1/2" SIGHTLINE
EXTENDER

9
INTERLOCKER

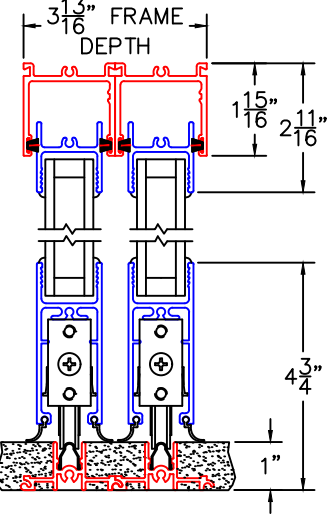


XXP DOOR
HIDDEN TRACK

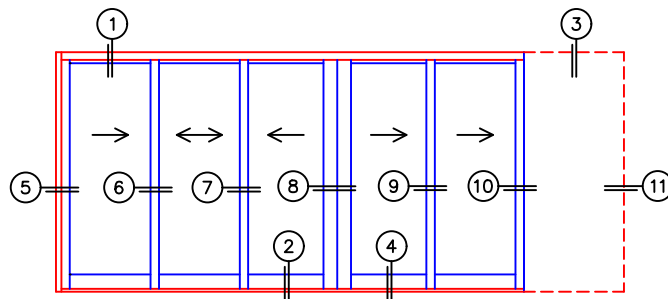
3
MULTI-SLIDE
HEAD DETAILS

EXTERIOR

4
MULTI-SLIDE
SILL DETAILS



NOTE: CENTERLINES ARE NOT DIVIDED EQUALLY;
CONFIRM CENTERLINES WHEN REQUIRED.



-GLASS PENETRATION: 11/16"
-FOR ADDITIONAL OPTIONS AND UPGRADES
SEE SHEET 1050-07

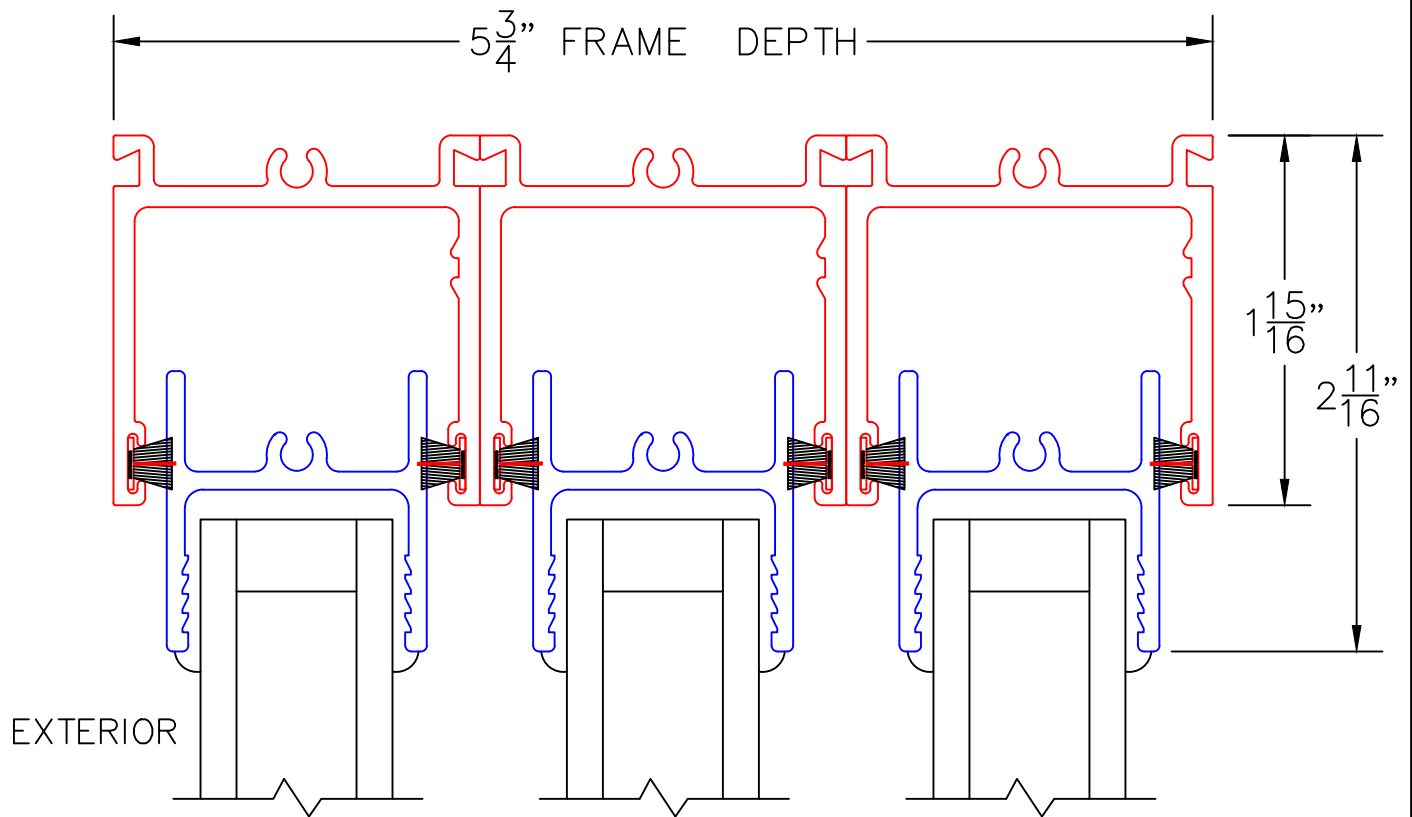
NOTE: PANELS DO NOT FLUSH STACK

0 0.5 1
(USE RULER TO SCALE DIMENSIONS IN INCHES)
SCALE: FULL

XXX DOOR
HIDDEN TRACK

1

MULTI-SLIDE
HEAD DETAIL

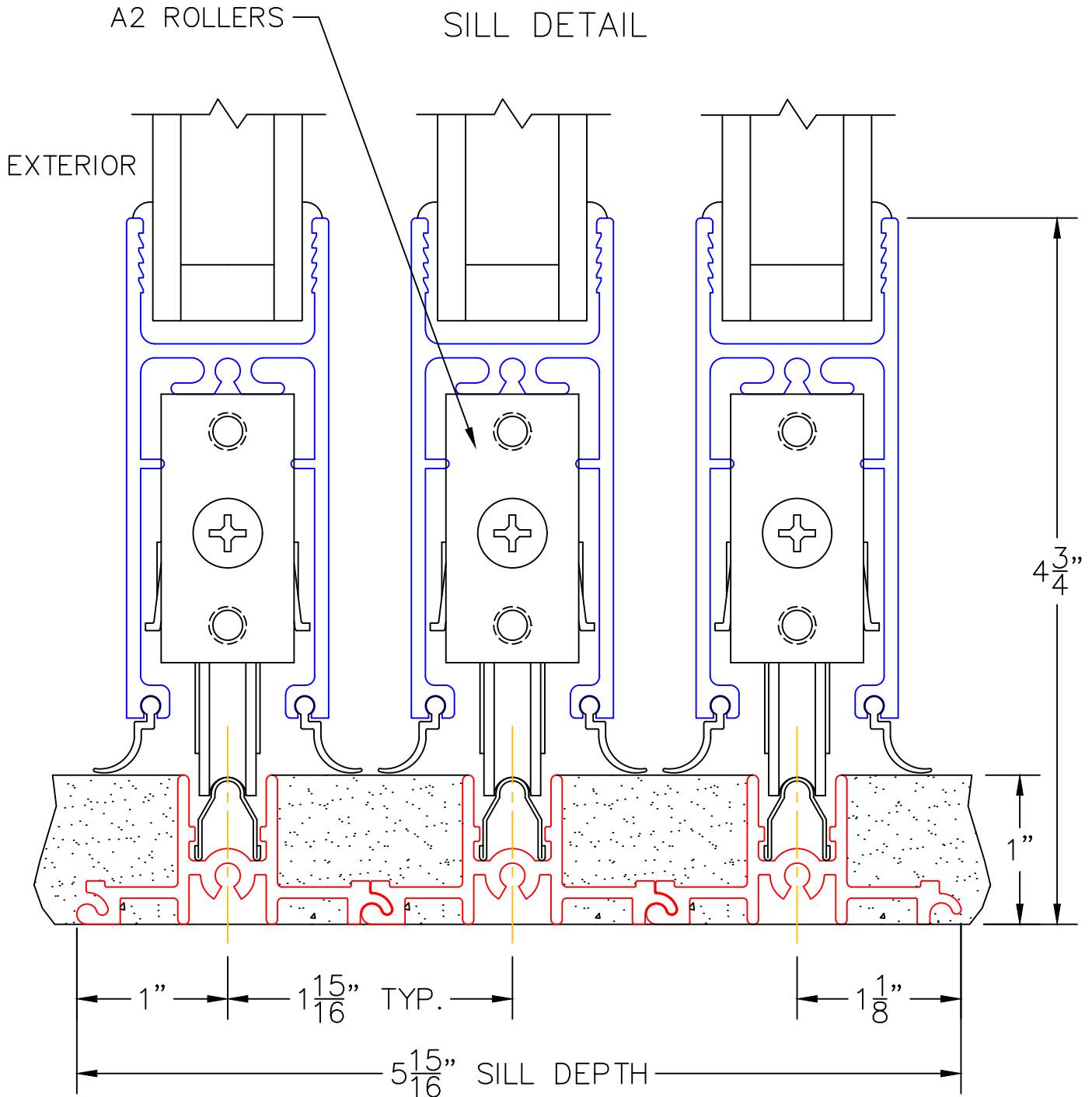


0 0.5 1
(USE RULER TO SCALE DIMENSIONS IN INCHES)
SCALE: FULL

XXX DOOR
HIDDEN TRACK

2

MULTI-SLIDE
SILL DETAIL

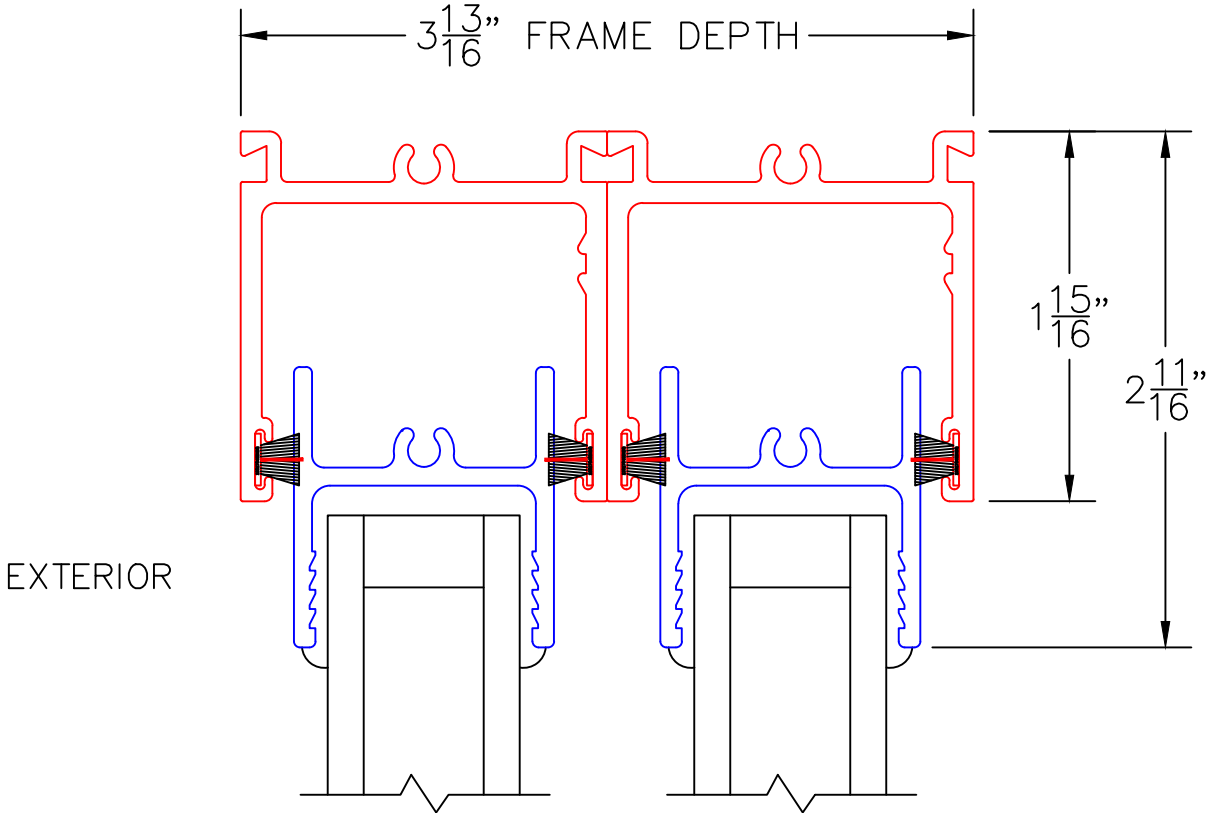


0 0.5 1
(USE RULER TO SCALE DIMENSIONS IN INCHES)
SCALE: FULL

XXP DOOR
HIDDEN TRACK

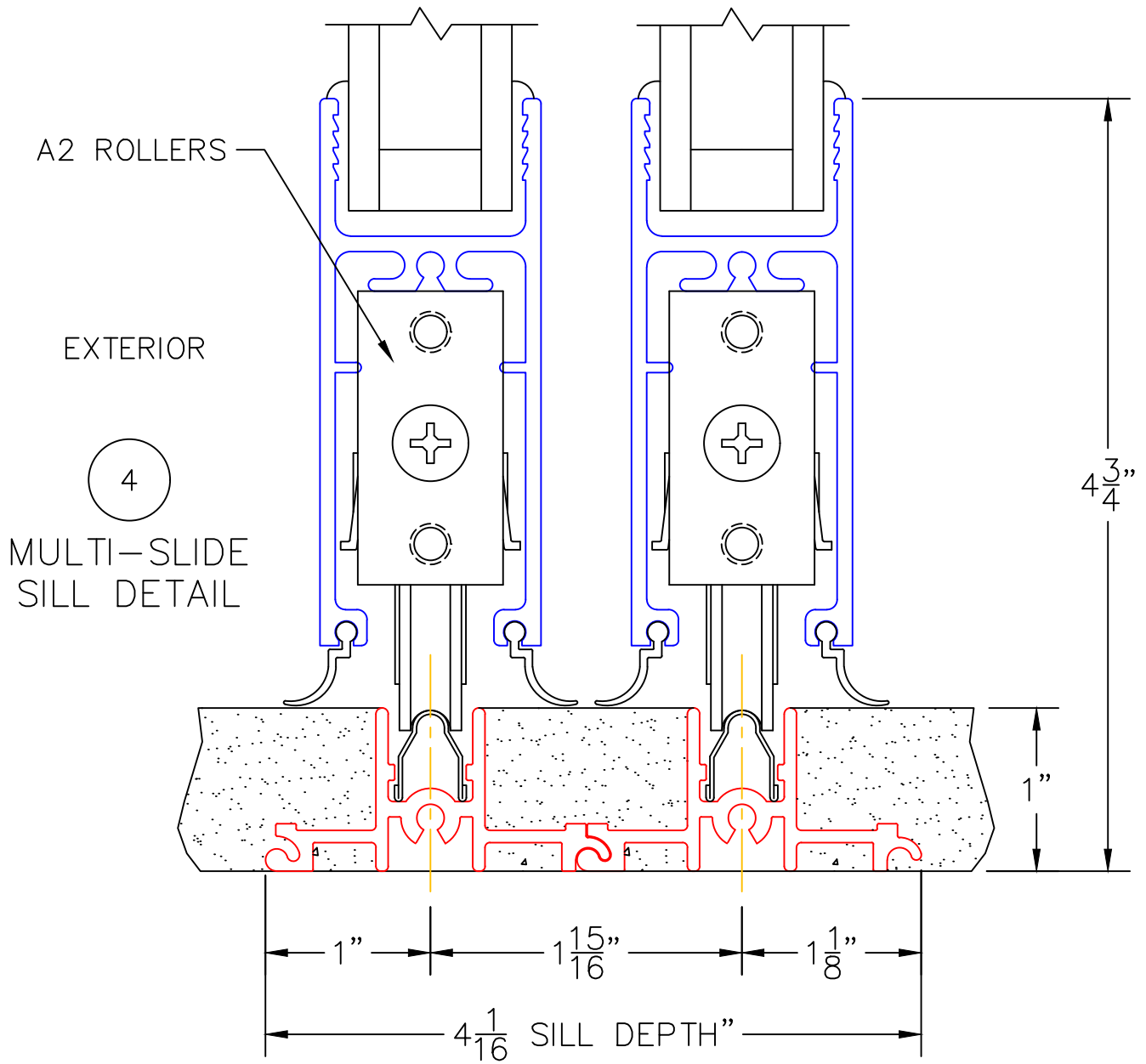
3

MULTI-SLIDE
HEAD DETAIL



0 0.5 1
(USE RULER TO SCALE DIMENSIONS IN INCHES)
SCALE: FULL

XXP DOOR
HIDDEN TRACK

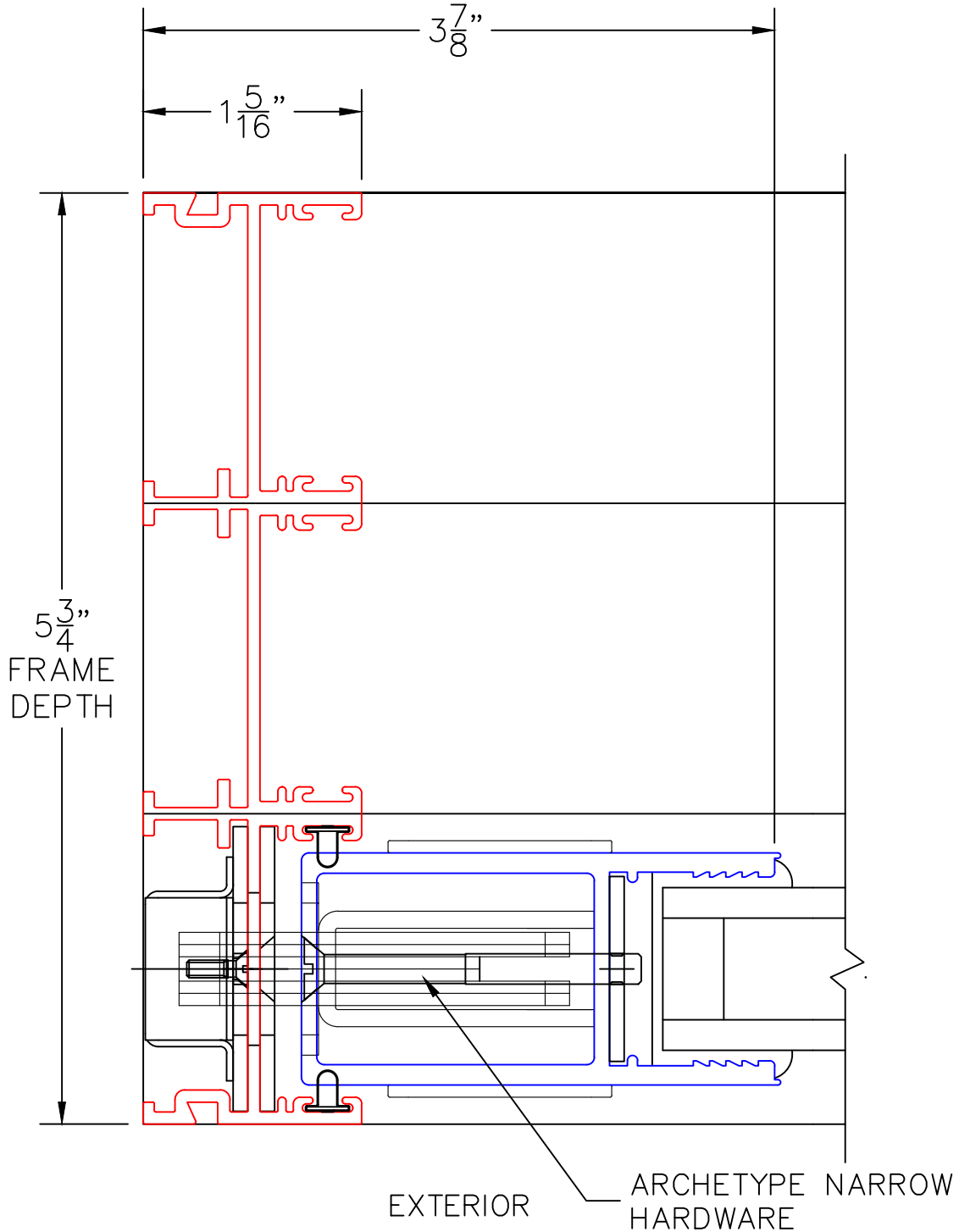


0 0.5 1
(USE RULER TO SCALE DIMENSIONS IN INCHES)
SCALE: FULL

XXX DOOR
HIDDEN TRACK

5

LOCK JAMB

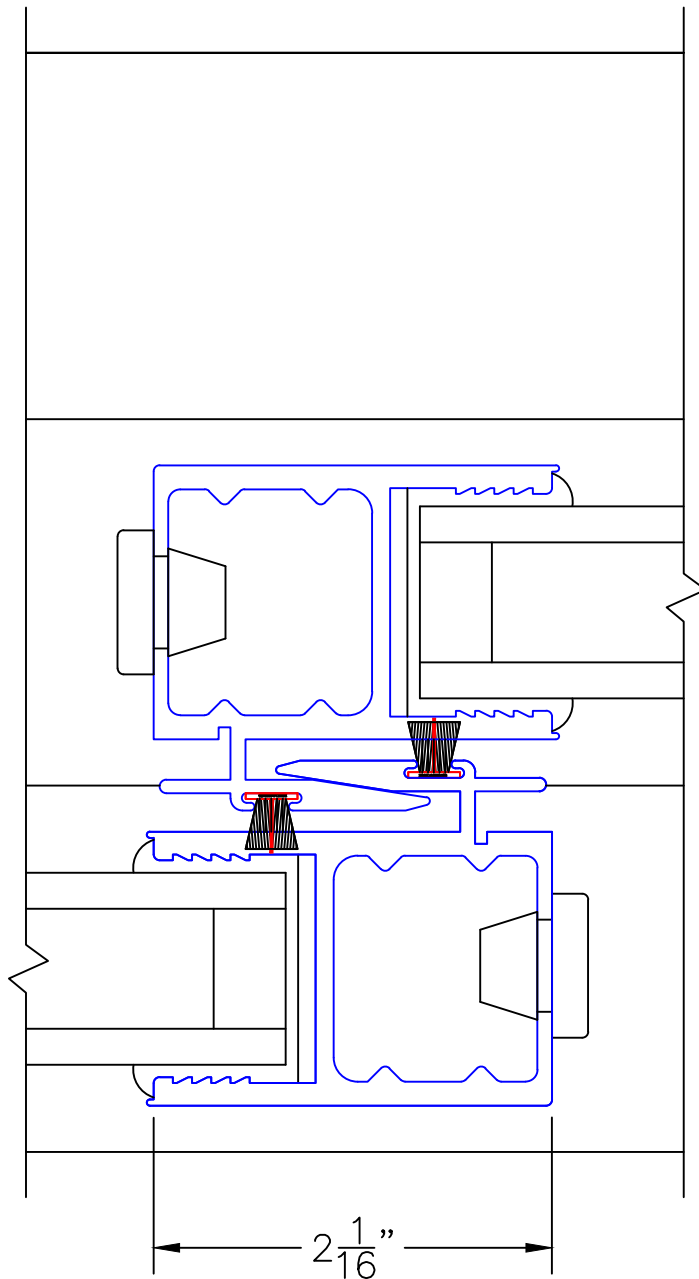


0 0.5 1
(USE RULER TO SCALE DIMENSIONS IN INCHES)
SCALE: FULL

XXX DOOR
HIDDEN TRACK

6

INTERLOCKERS



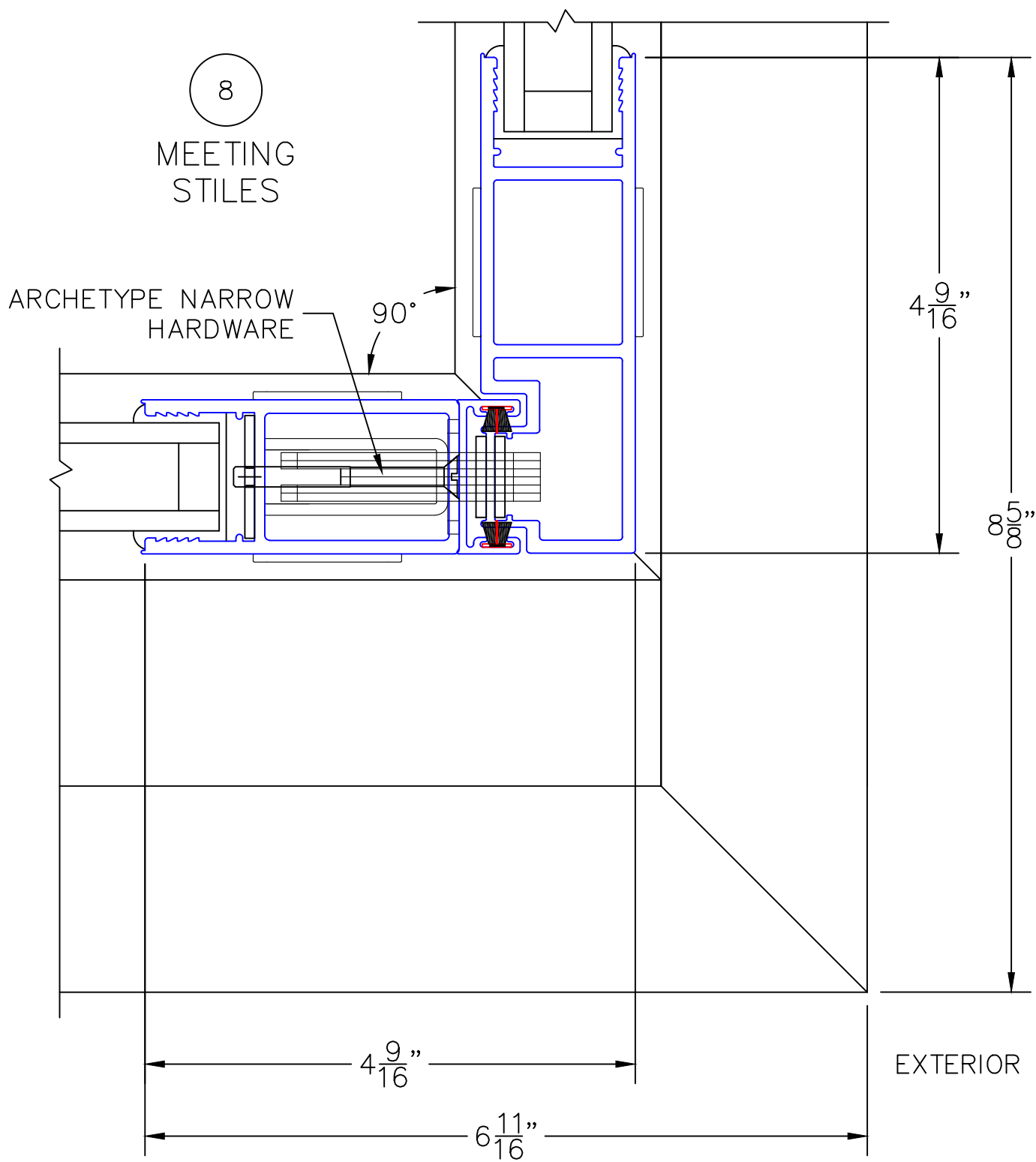
EXTERIOR

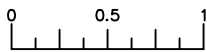


(USE RULER TO SCALE DIMENSIONS IN INCHES)

SCALE: 3/4

90°XXXVXXP DOOR
HIDDEN TRACK

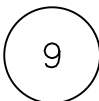




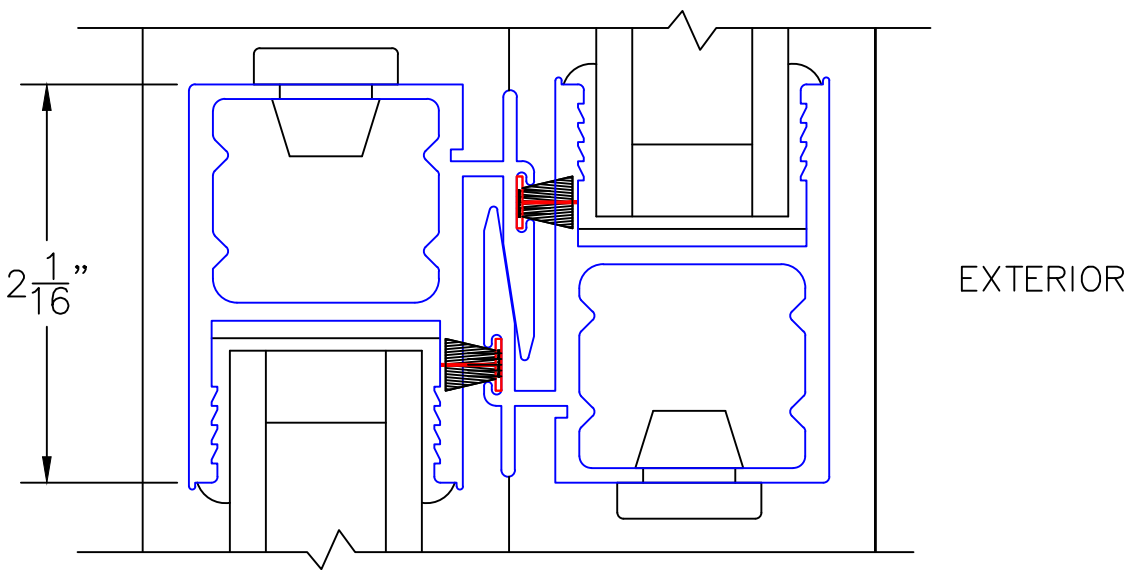
(USE RULER TO SCALE DIMENSIONS IN INCHES)

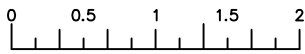
SCALE: FULL

XXP DOOR
HIDDEN TRACK



INTERLOCKERS





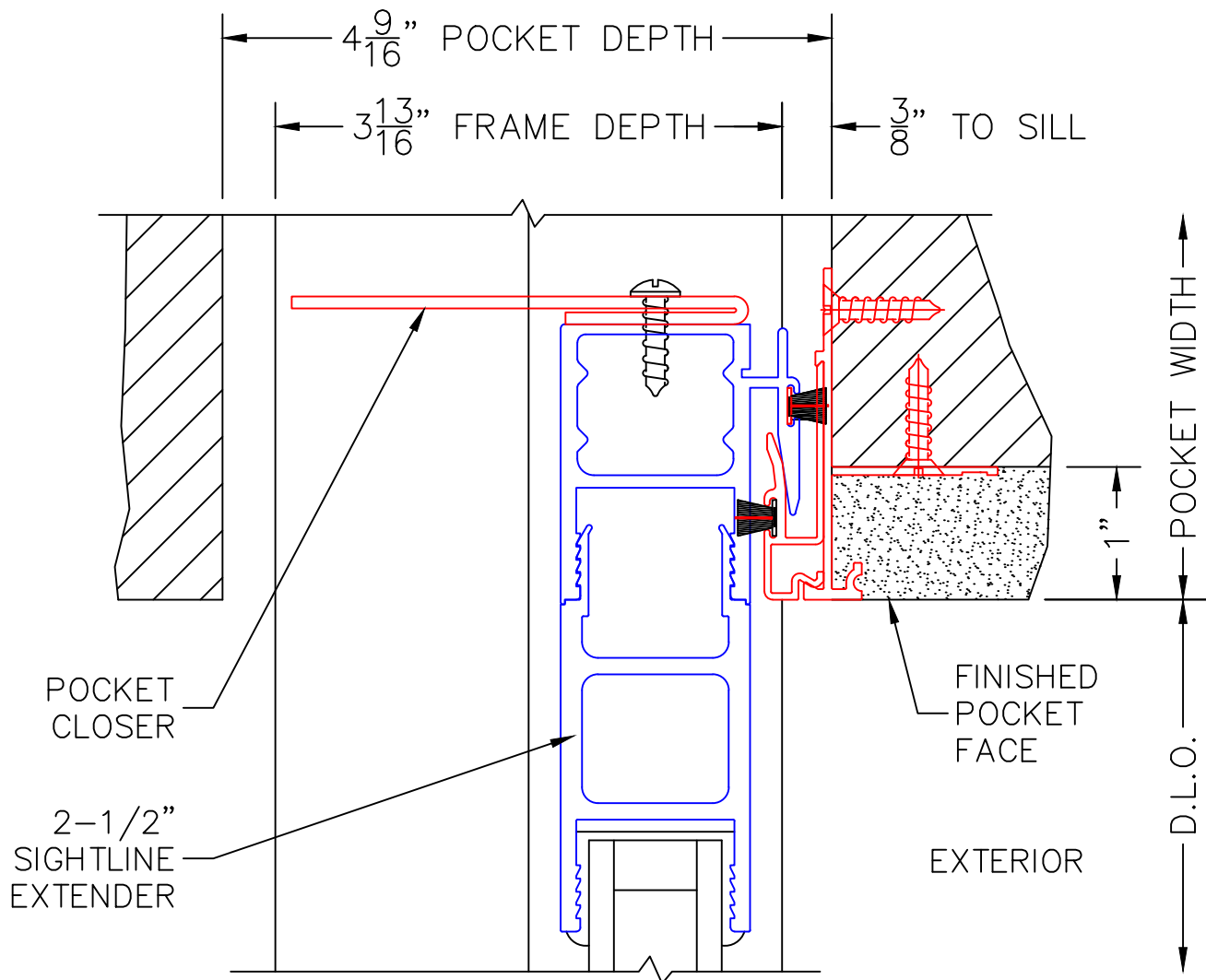
(USE RULER TO SCALE DIMENSIONS IN INCHES)

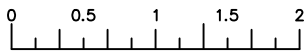
SCALE: 3/4

XXP DOOR
HIDDEN TRACK

10

2-PIECE
POCKET
INTERLOCKER





(USE RULER TO SCALE DIMENSIONS IN INCHES)

SCALE: 3/4

XXP DOOR
HIDDEN TRACK

11

POCKET JAMB

