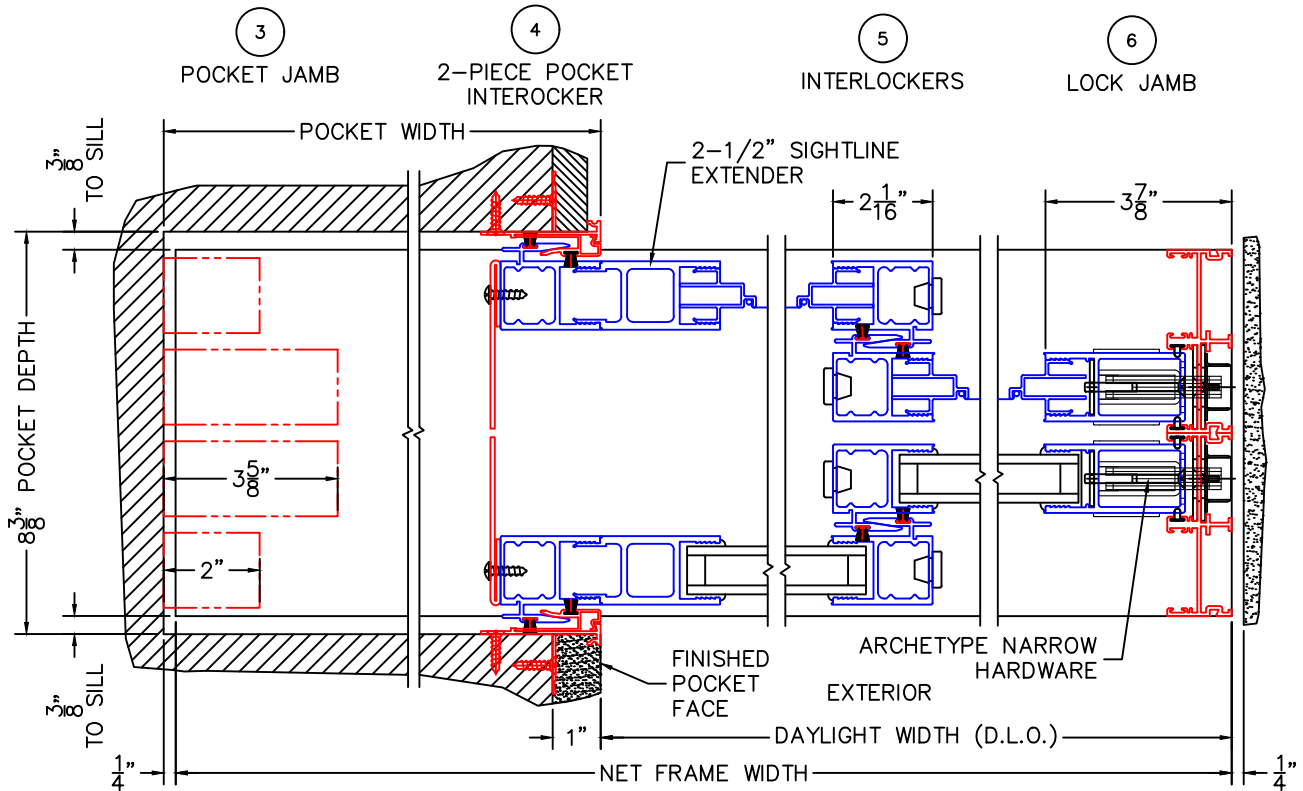
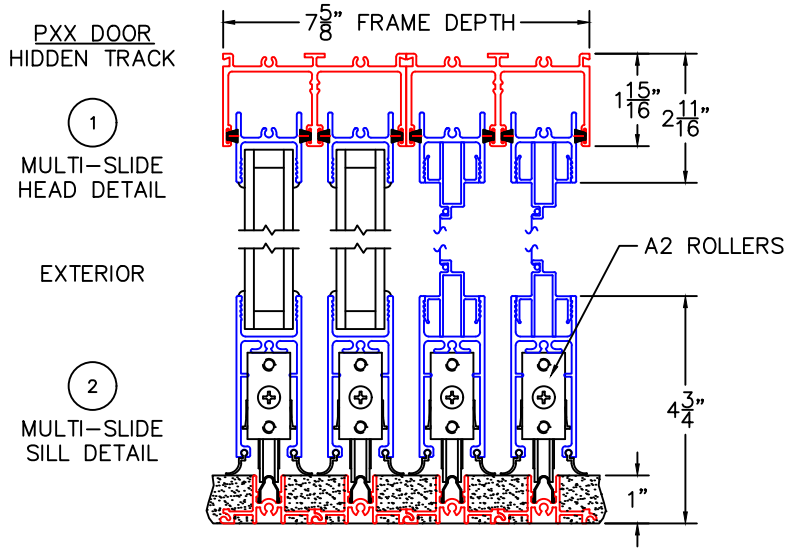
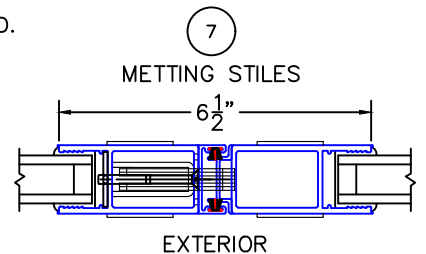
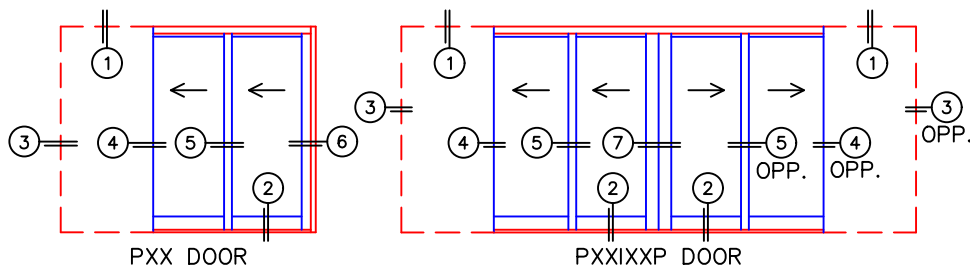


(USE RULER TO SCALE DIMENSIONS IN INCHES)
SCALE: 1/4

MULTI-SLIDE POCKET DOOR W/SCREENS DETAILS



NOTE: CENTERLINES ARE NOT DIVIDED EQUALLY; CONFIRM CENTERLINES WHEN REQUIRED.



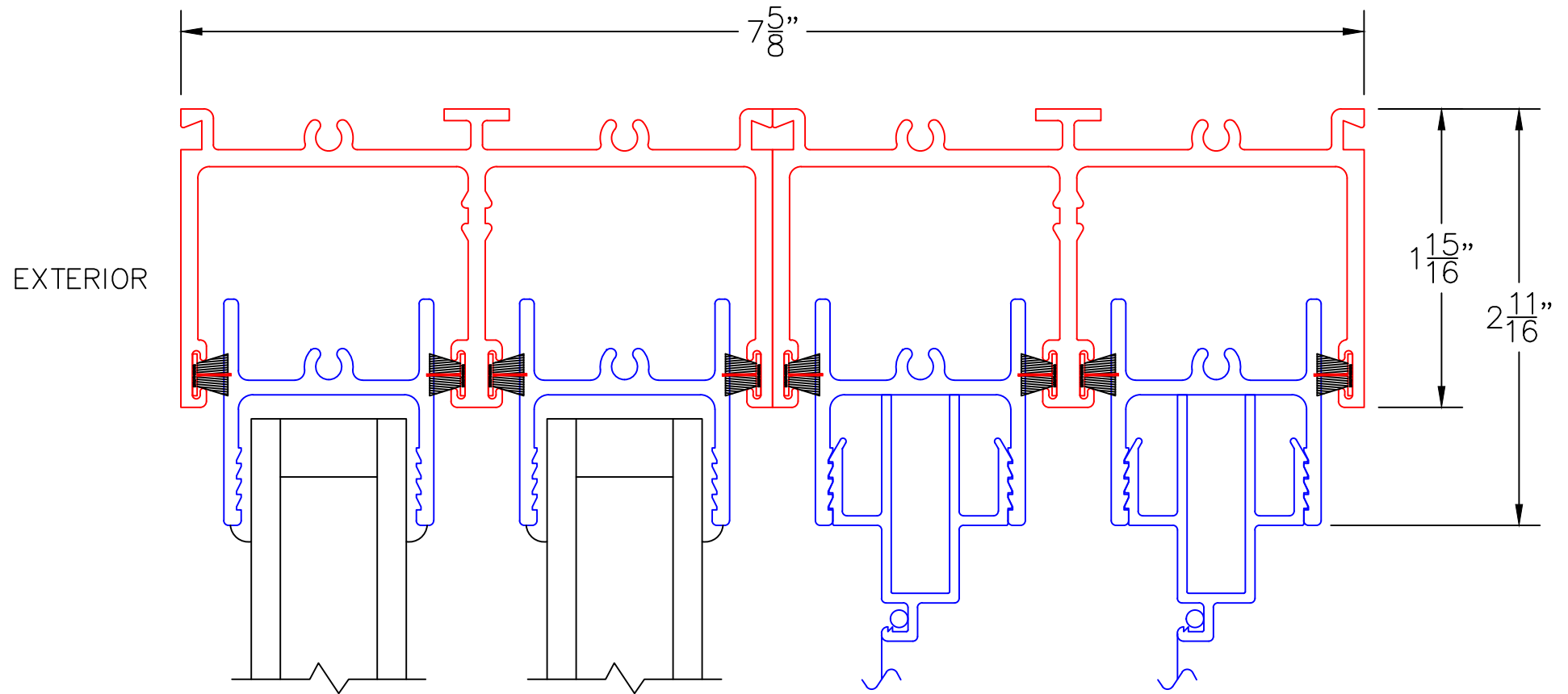
-GLASS PENETRATION: 11/16"
-FOR ADDITIONAL OPTIONS AND UPGRADES
SEE SHEET 1050-07

0 0.5 1
(USE RULER TO SCALE DIMENSIONS IN INCHES)
SCALE: FULL

PXX DOOR HIDDEN TRACK

1

MULTI-SLIDE HEAD DETAIL



0 0.5 1
(USE RULER TO SCALE DIMENSIONS IN INCHES)
SCALE: FULL

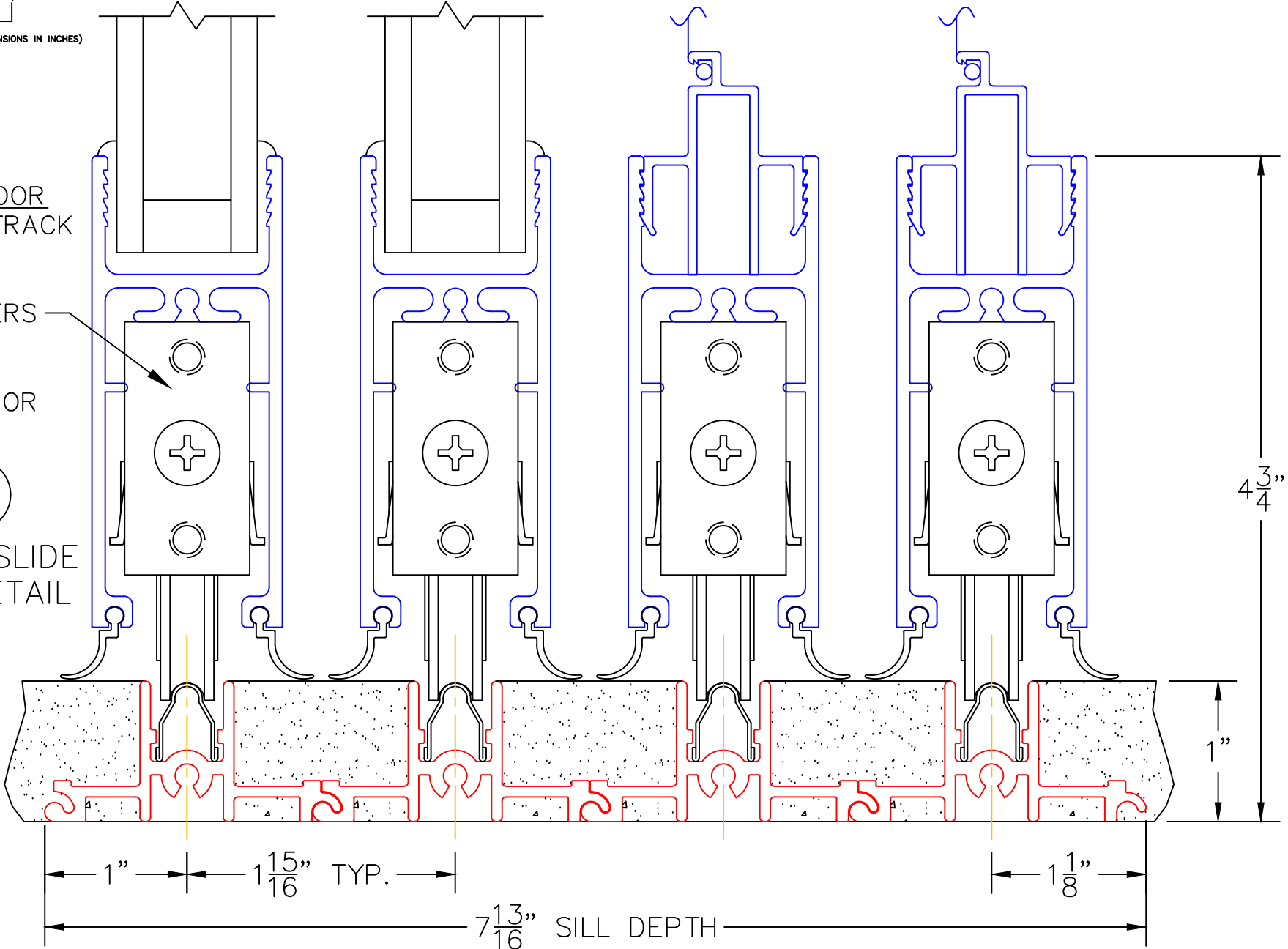
PXX DOOR
HIDDEN TRACK

A2 ROLLERS

EXTERIOR

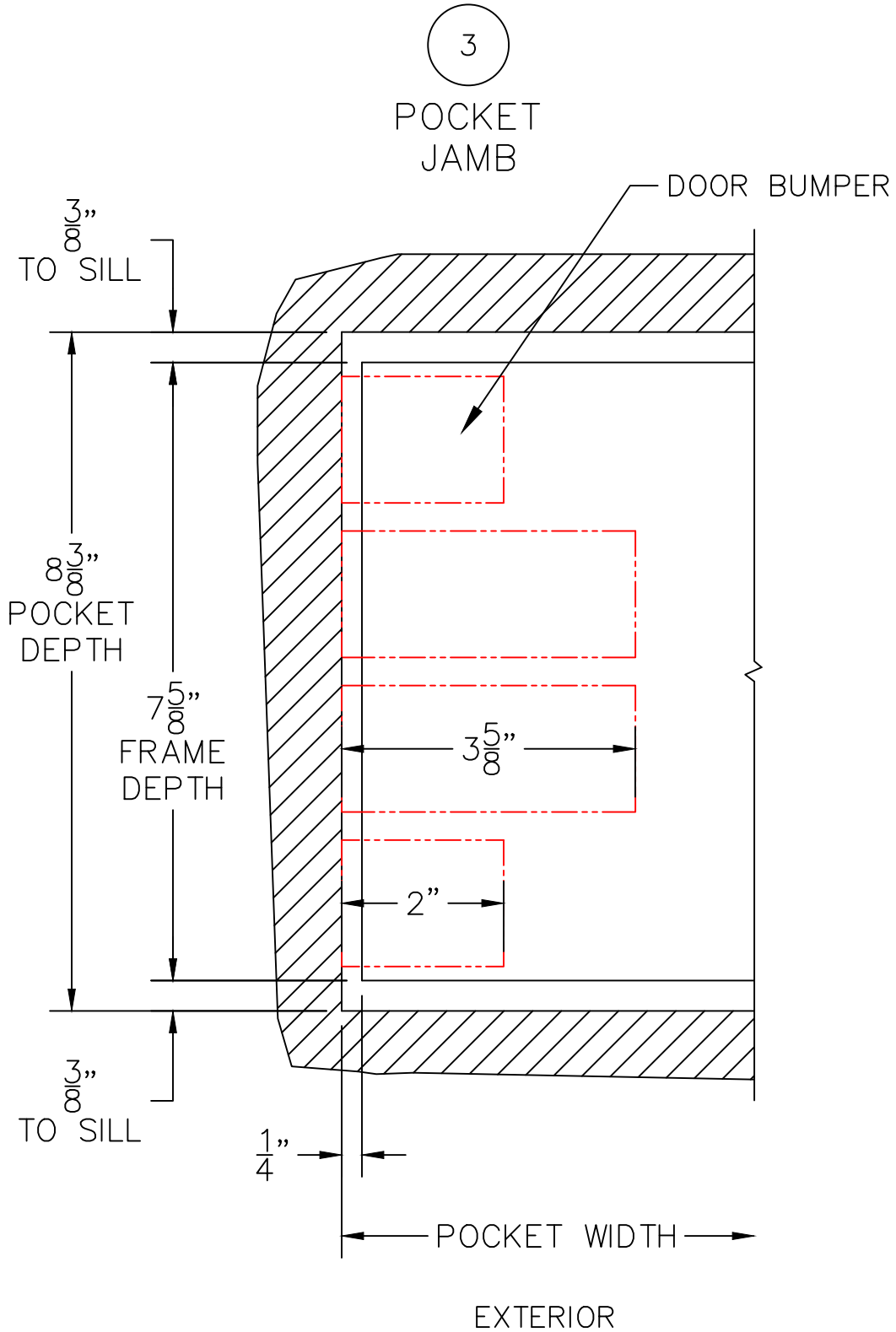
2

MULTI-SLIDE
SILL DETAIL



0 1 2
(USE RULER TO SCALE DIMENSIONS IN INCHES)
SCALE: 1/2

PXX DOOR
HIDDEN TRACK

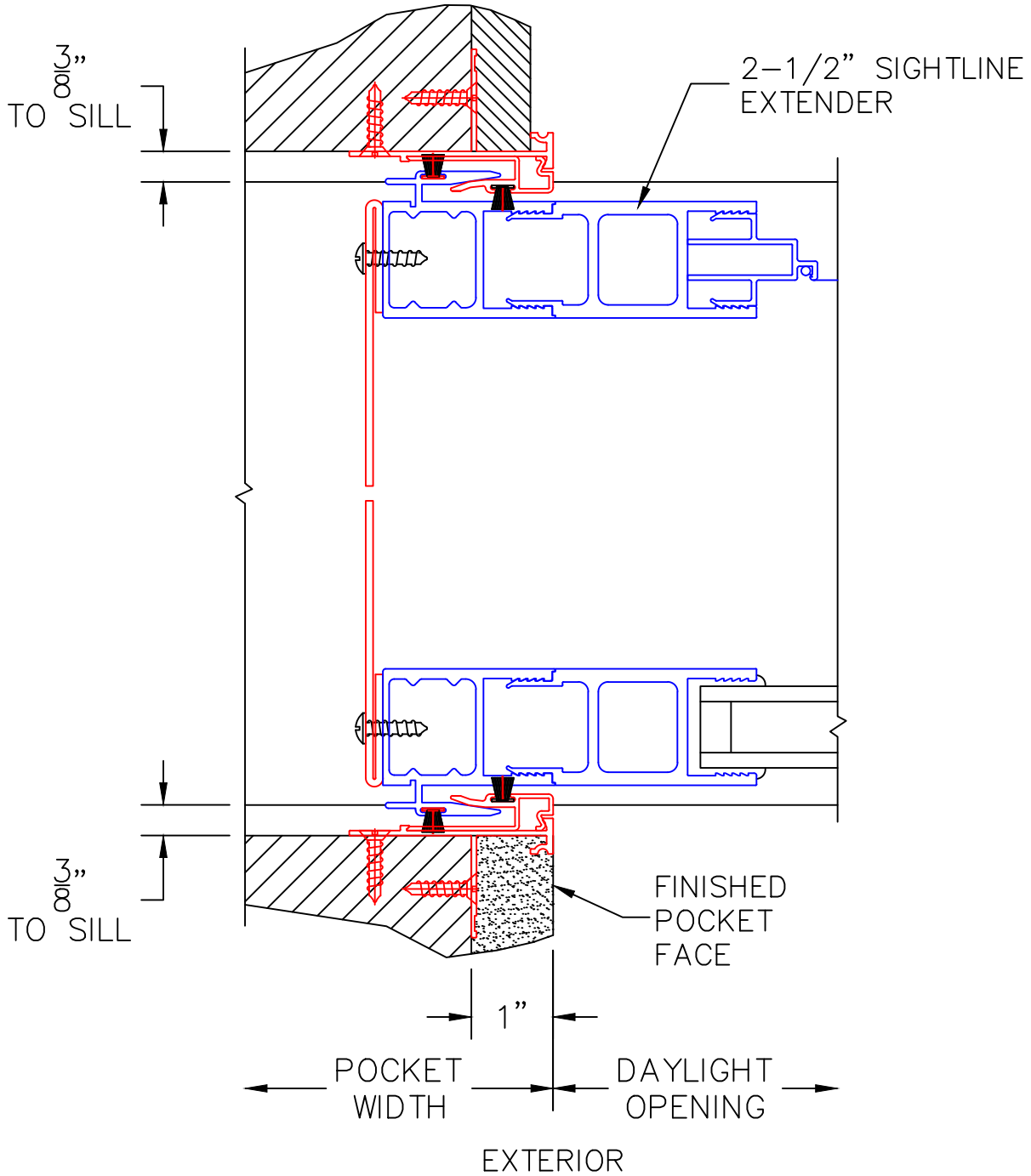


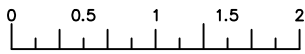
0 1 2
(USE RULER TO SCALE DIMENSIONS IN INCHES)
SCALE: 1/2

PXX DOOR
HIDDEN TRACK

4

2-PIECE
POCKET
INTERLOCKER





(USE RULER TO SCALE DIMENSIONS IN INCHES)

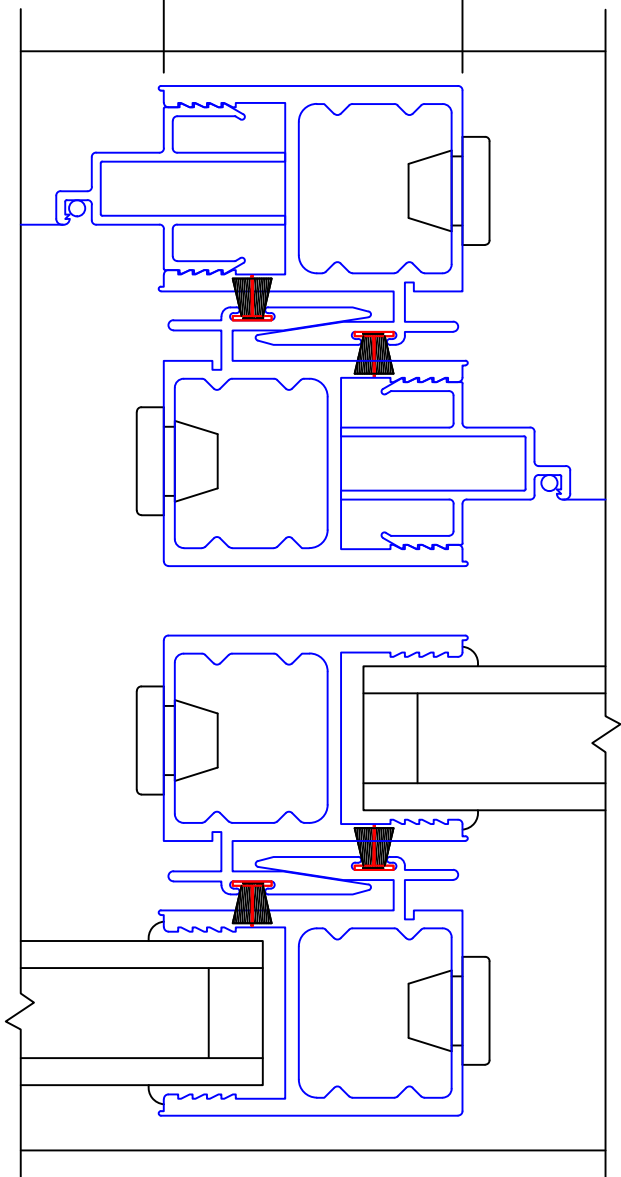
SCALE: 3/4

PXX DOOR
HIDDEN TRACK

5

INTERLOCKERS

2 1/16"



EXTERIOR



(USE RULER TO SCALE DIMENSIONS IN INCHES)

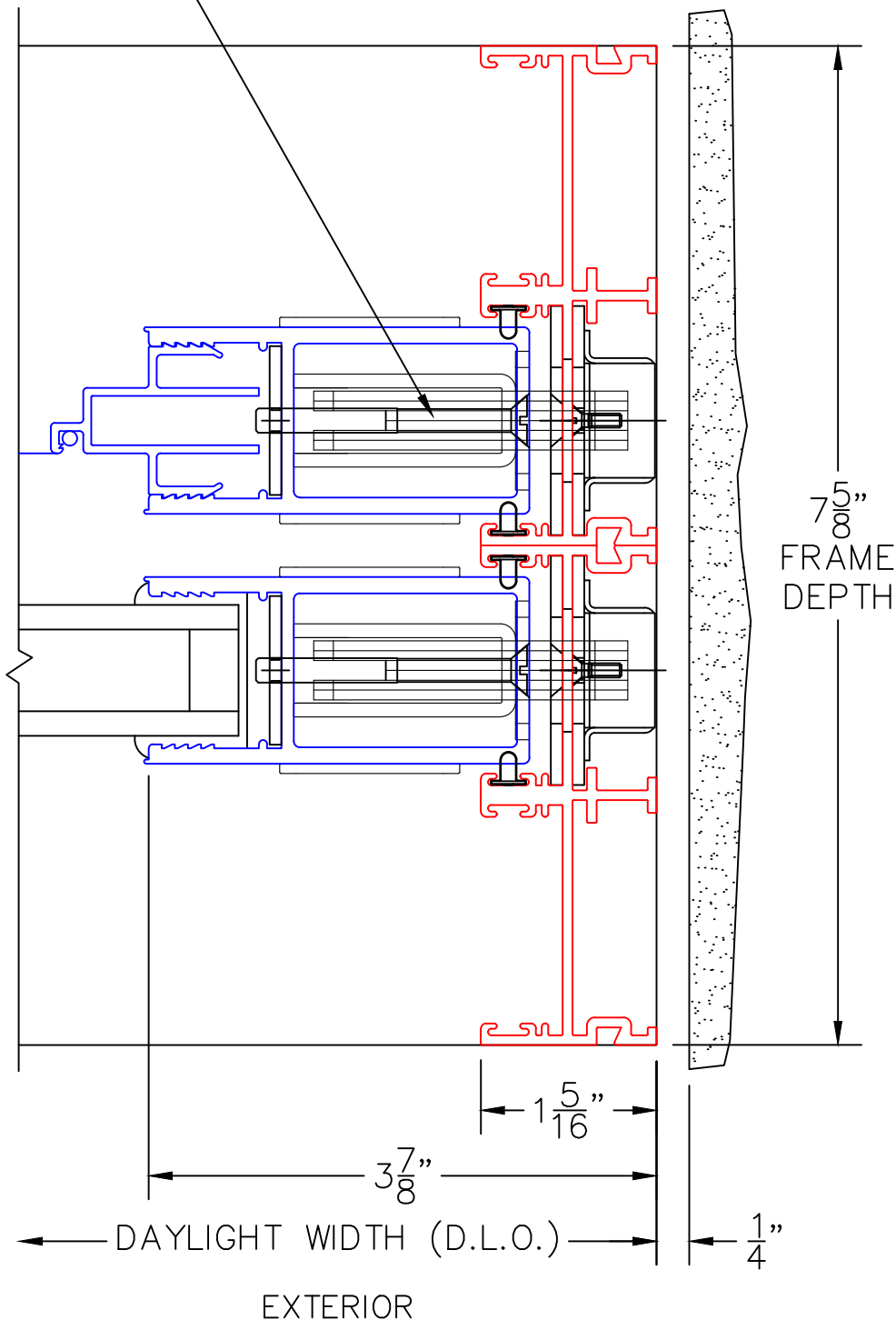
SCALE: 3/4

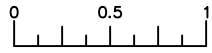
PXX DOOR
HIDDEN TRACK

6

LOCK JAMB

ARCHETYPE NARROW
HARDWARE





(USE RULER TO SCALE DIMENSIONS IN INCHES)

SCALE: FULL

PXIXP DOOR
HIDDEN TRACK

7

METTING STILES

