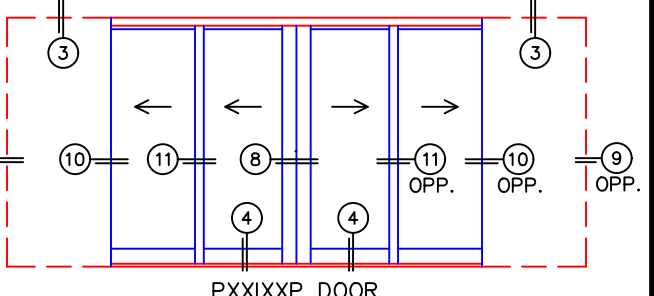
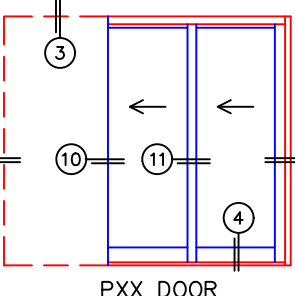
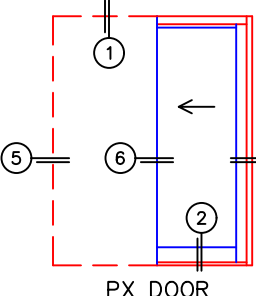
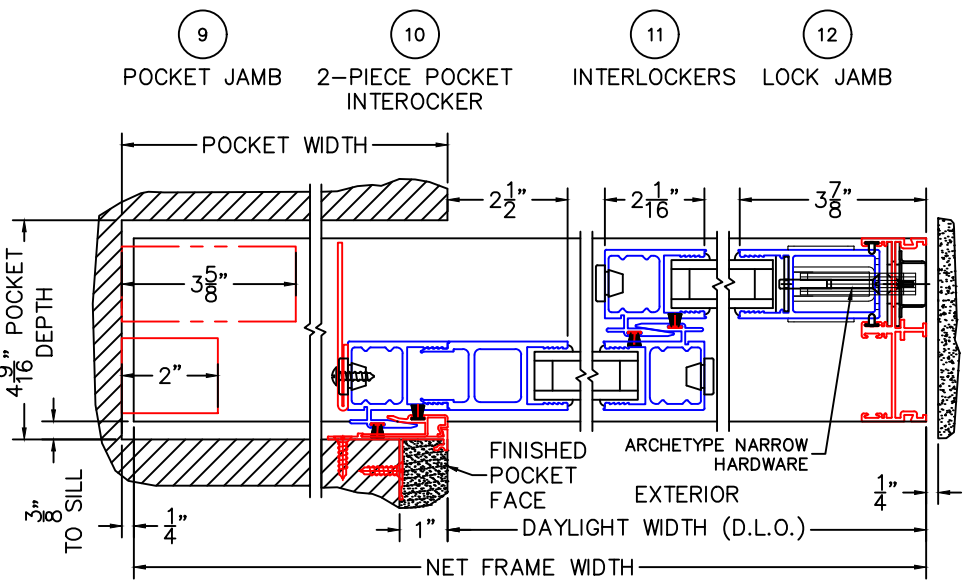
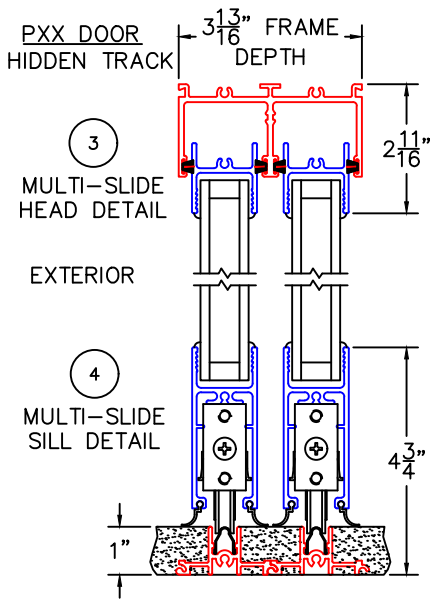
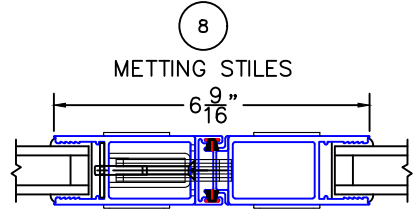
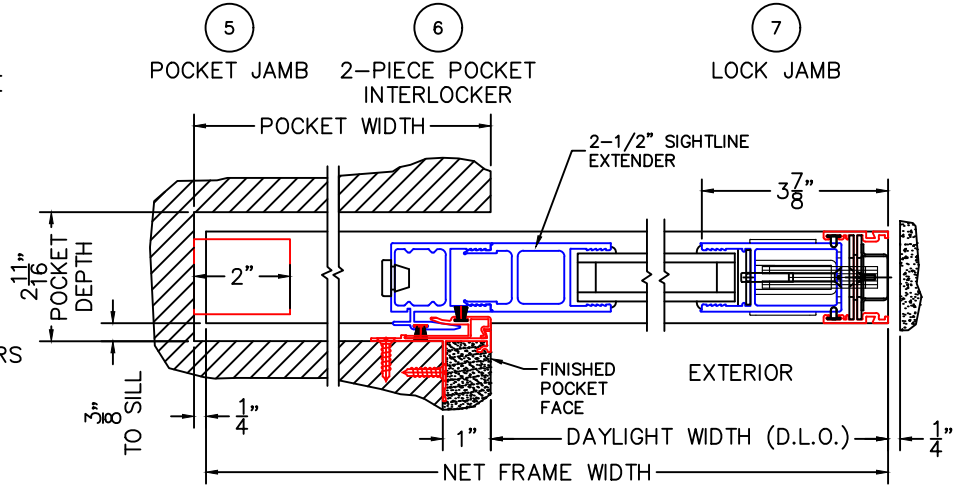
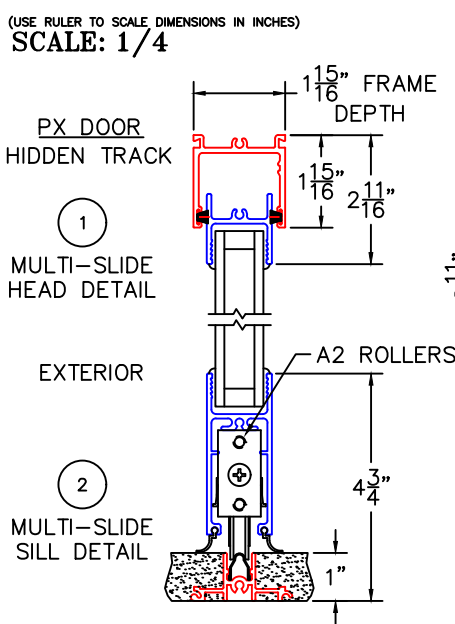




(USE RULER TO SCALE DIMENSIONS IN INCHES)
SCALE: 1/4"

MULTI-SLIDE POCKET DOOR DETAILS



NOTE: CENTERLINES ARE NOT DIVIDED EQUALLY; CONFIRM CENTERLINES WHEN REQUIRED

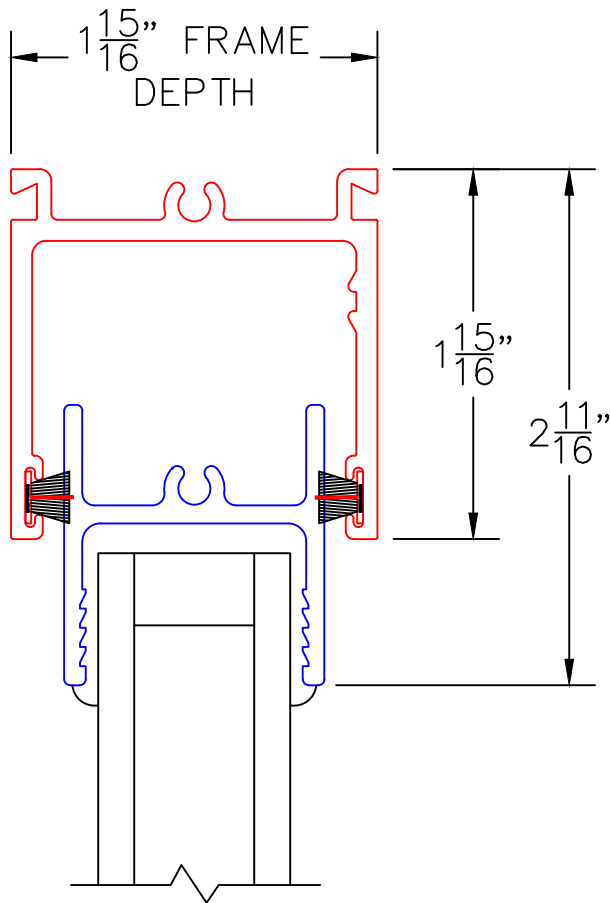
-GLASS PENETRATION: 11/16"
-FOR ADDITIONAL OPTIONS AND UPGRADES
SEE SHEET 1050-07

0 0.5 1
(USE RULER TO SCALE DIMENSIONS IN INCHES)
SCALE: FULL

PX DOOR
HIDDEN TRACK

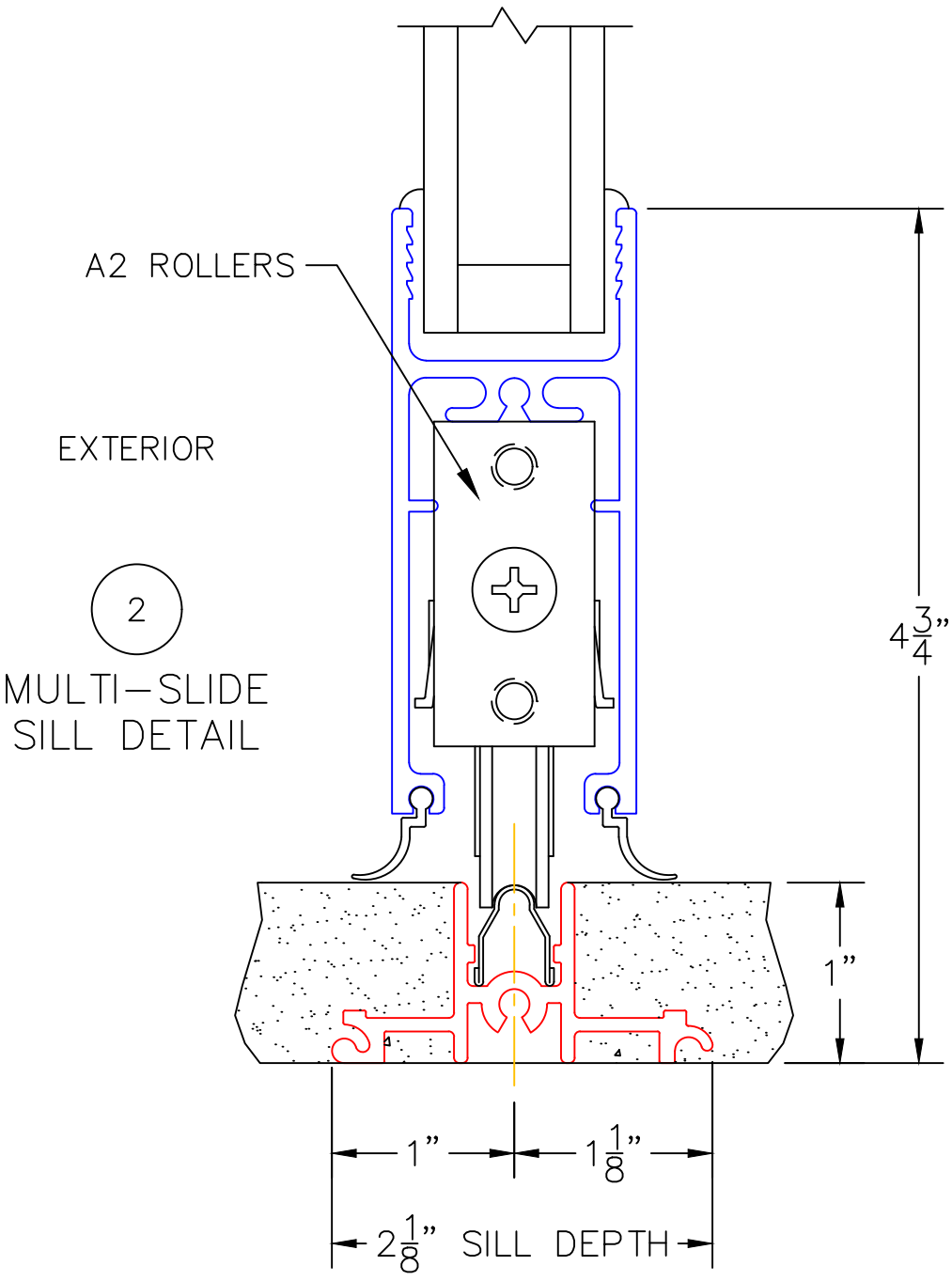
1
MULTI-SLIDE
HEAD DETAIL

EXTERIOR



0 0.5 1
(USE RULER TO SCALE DIMENSIONS IN INCHES)
SCALE: FULL

PX DOOR
HIDDEN TRACK

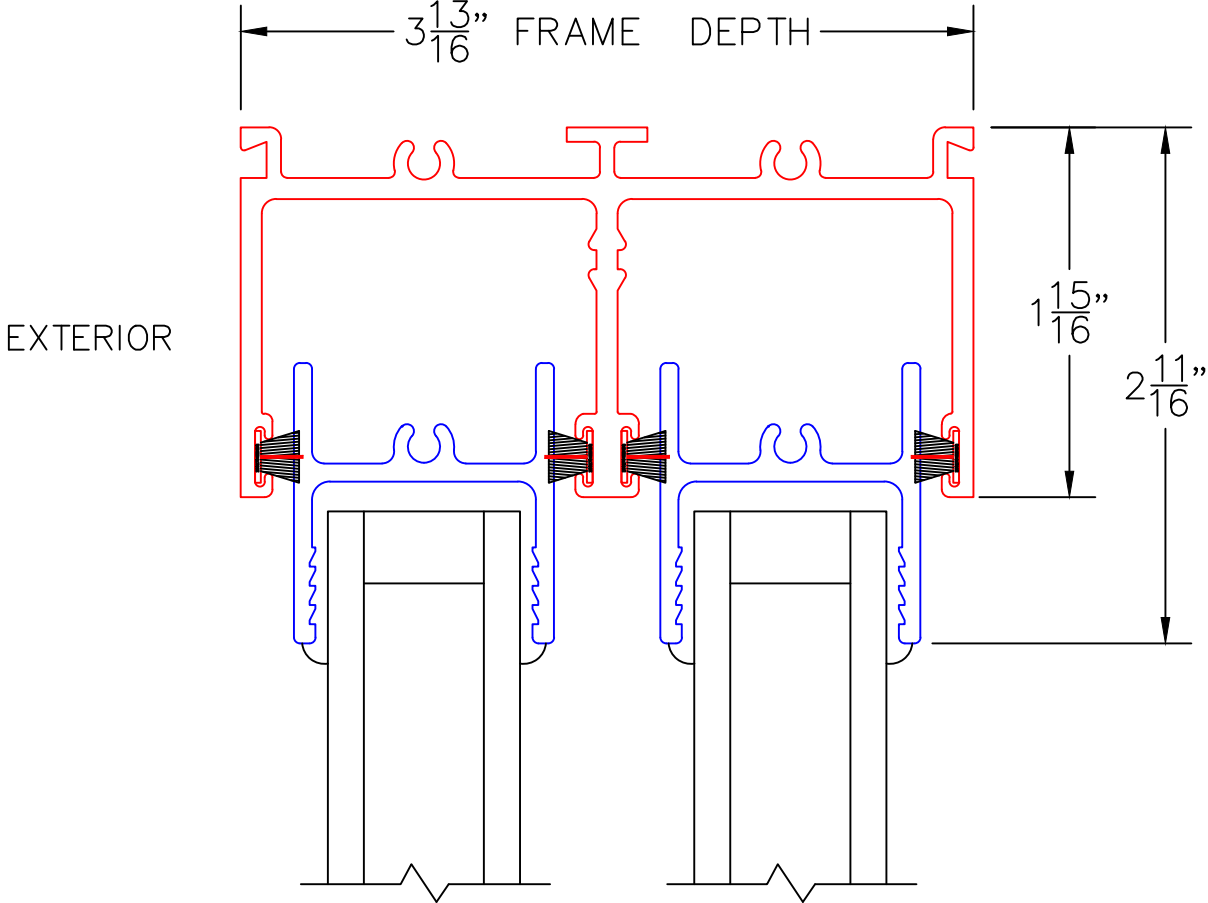


0 0.5 1
(USE RULER TO SCALE DIMENSIONS IN INCHES)
SCALE: FULL

PXX DOOR
HIDDEN TRACK

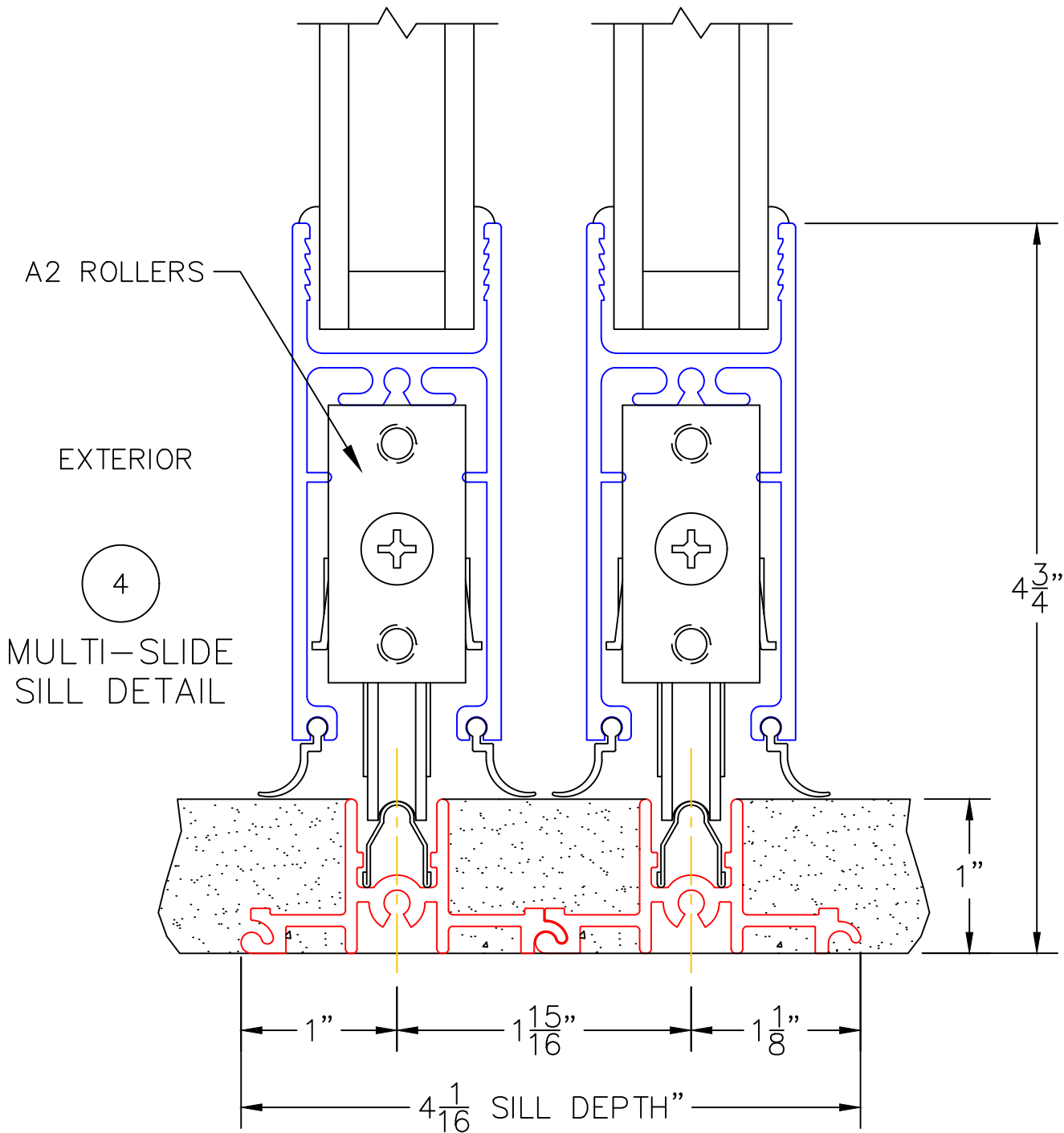
3

MULTI-SLIDE
HEAD DETAIL



0 0.5 1
(USE RULER TO SCALE DIMENSIONS IN INCHES)
SCALE: FULL

PXX DOOR
HIDDEN TRACK



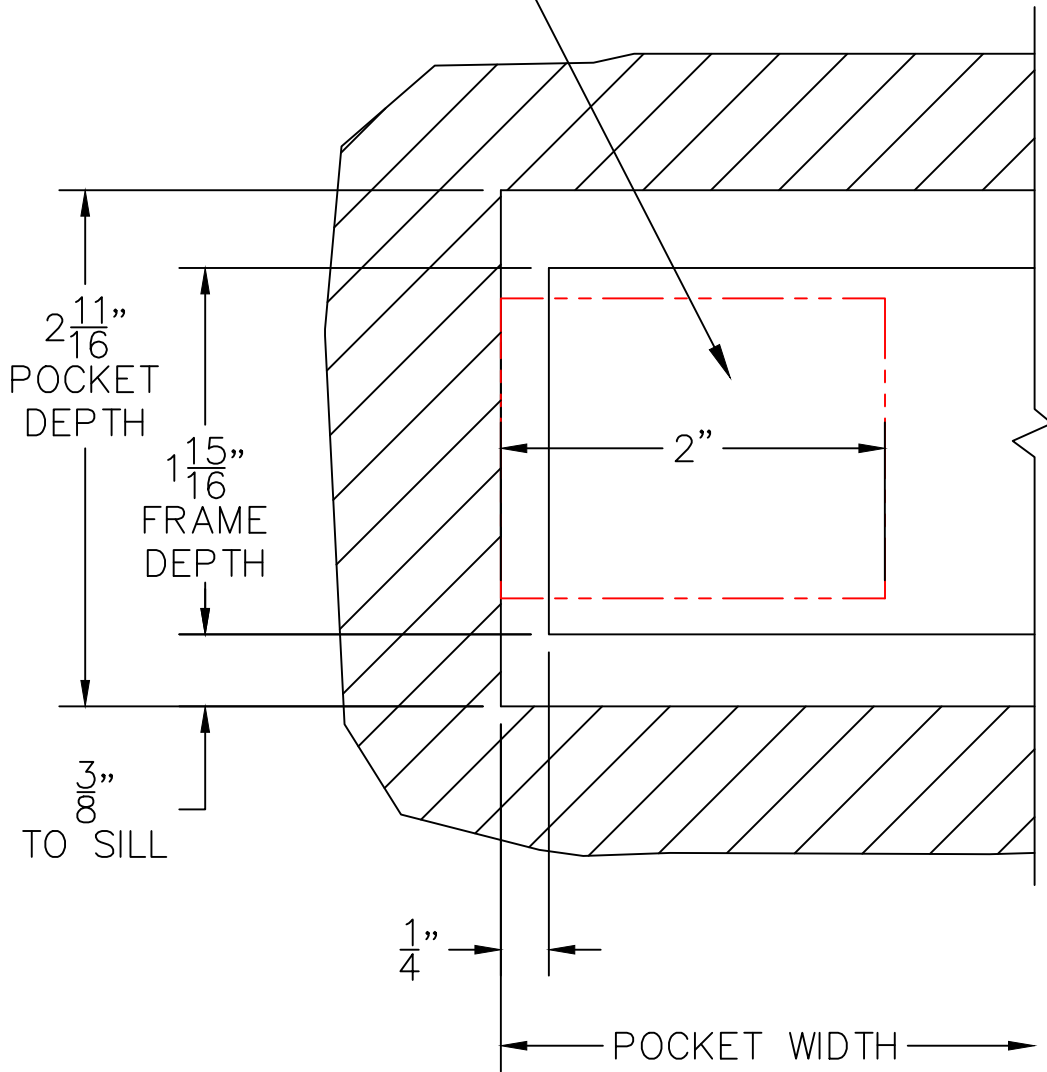
0 0.5 1
(USE RULER TO SCALE DIMENSIONS IN INCHES)
SCALE: FULL

PX DOOR
HIDDEN TRACK

5

POCKET JAMB

DOOR BUMPER

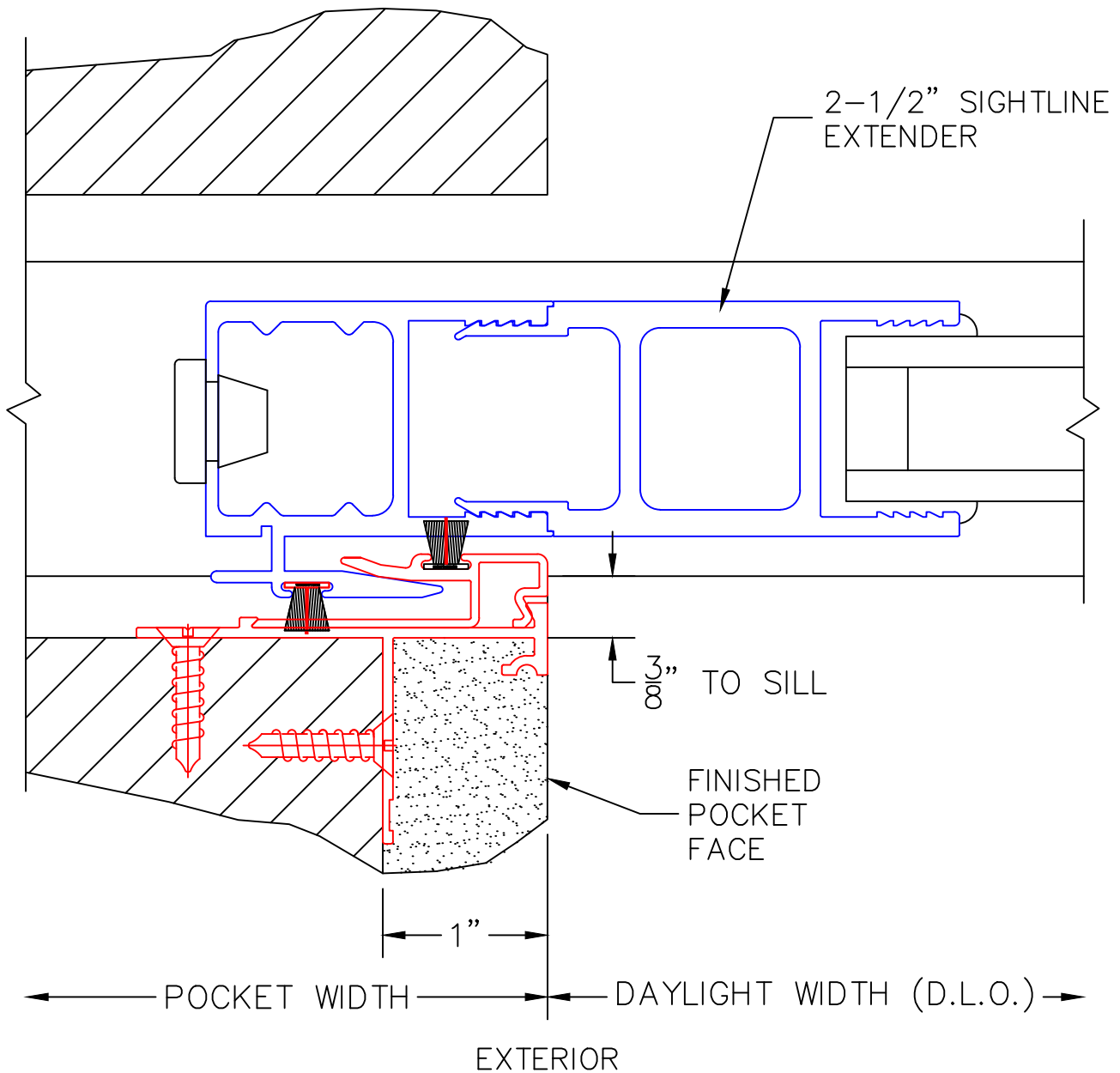


0 0.5 1
(USE RULER TO SCALE DIMENSIONS IN INCHES)
SCALE: FULL

PX DOOR
HIDDEN TRACK

6

2-PIECE POCKET
INTERLOCKER

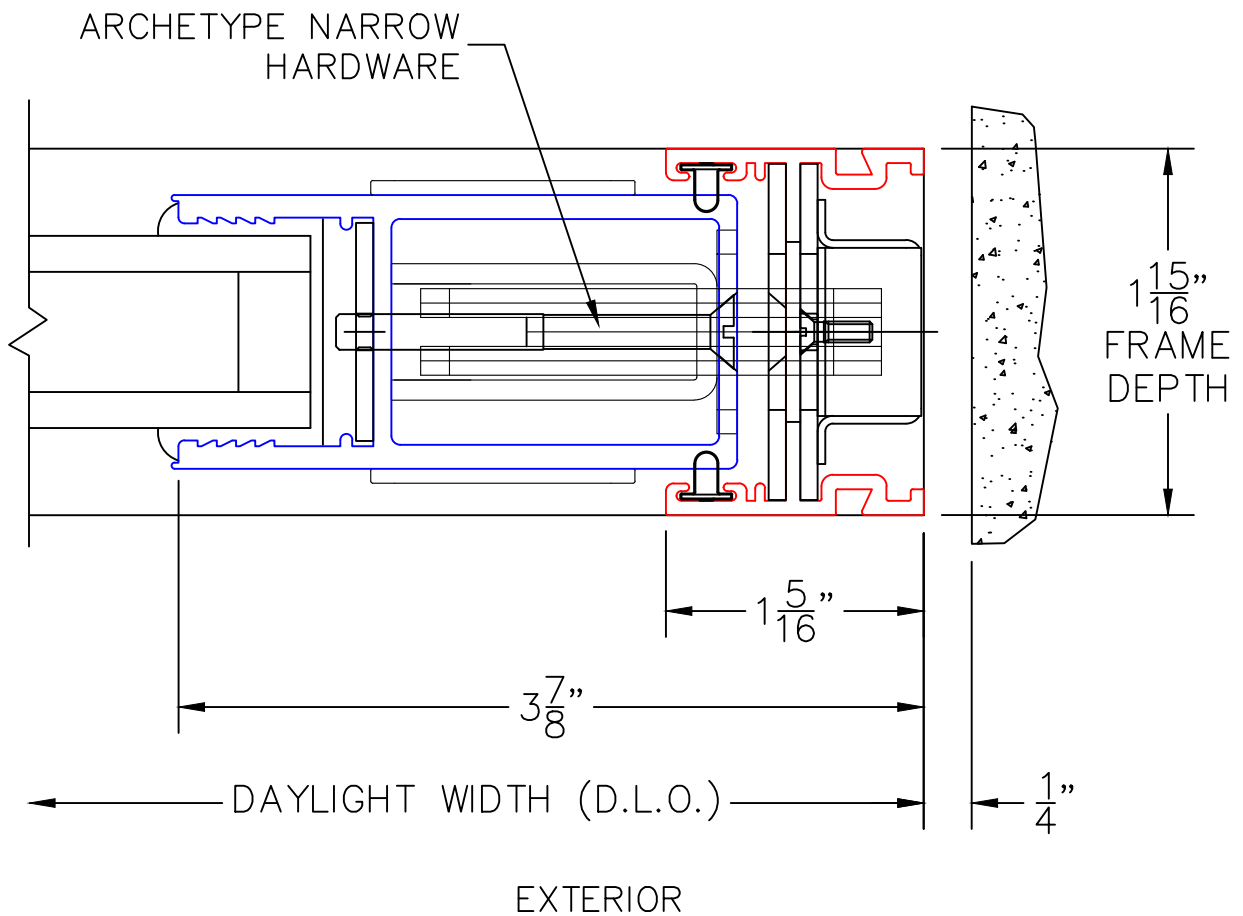


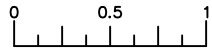
0 0.5 1
(USE RULER TO SCALE DIMENSIONS IN INCHES)
SCALE: FULL

PX DOOR
HIDDEN TRACK

7

LOCK JAMB





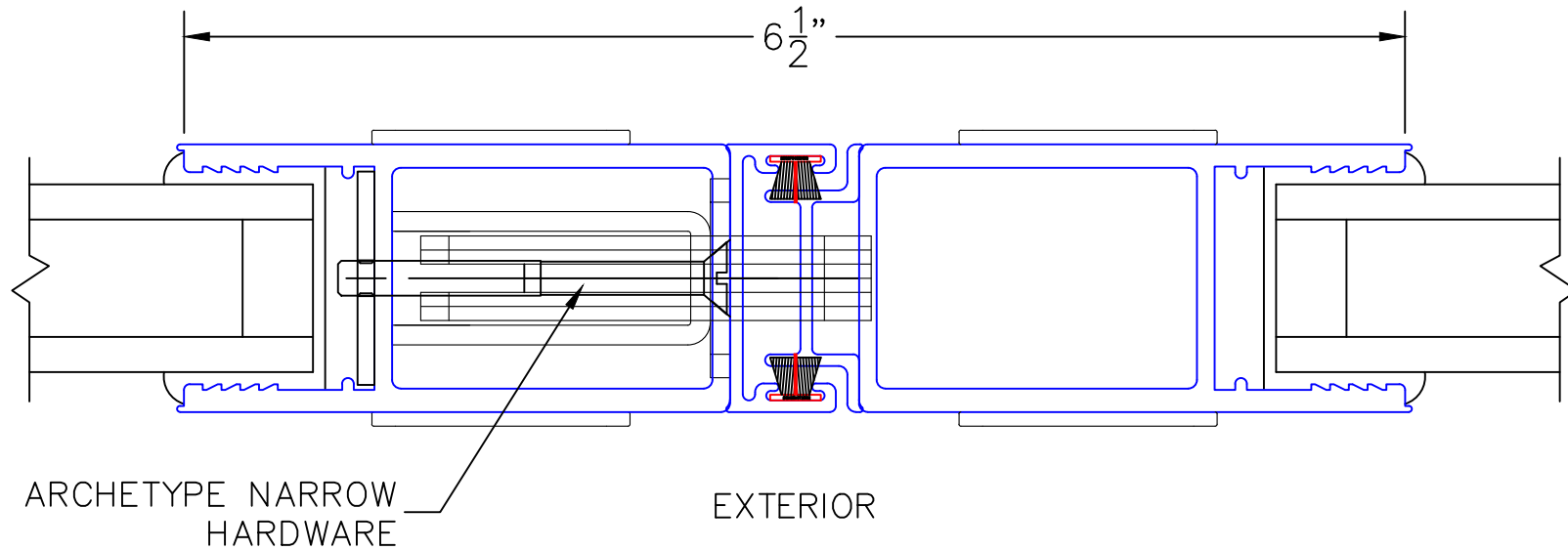
(USE RULER TO SCALE DIMENSIONS IN INCHES)

SCALE: FULL

PXIXP DOOR
HIDDEN TRACK

8

METTING STILES



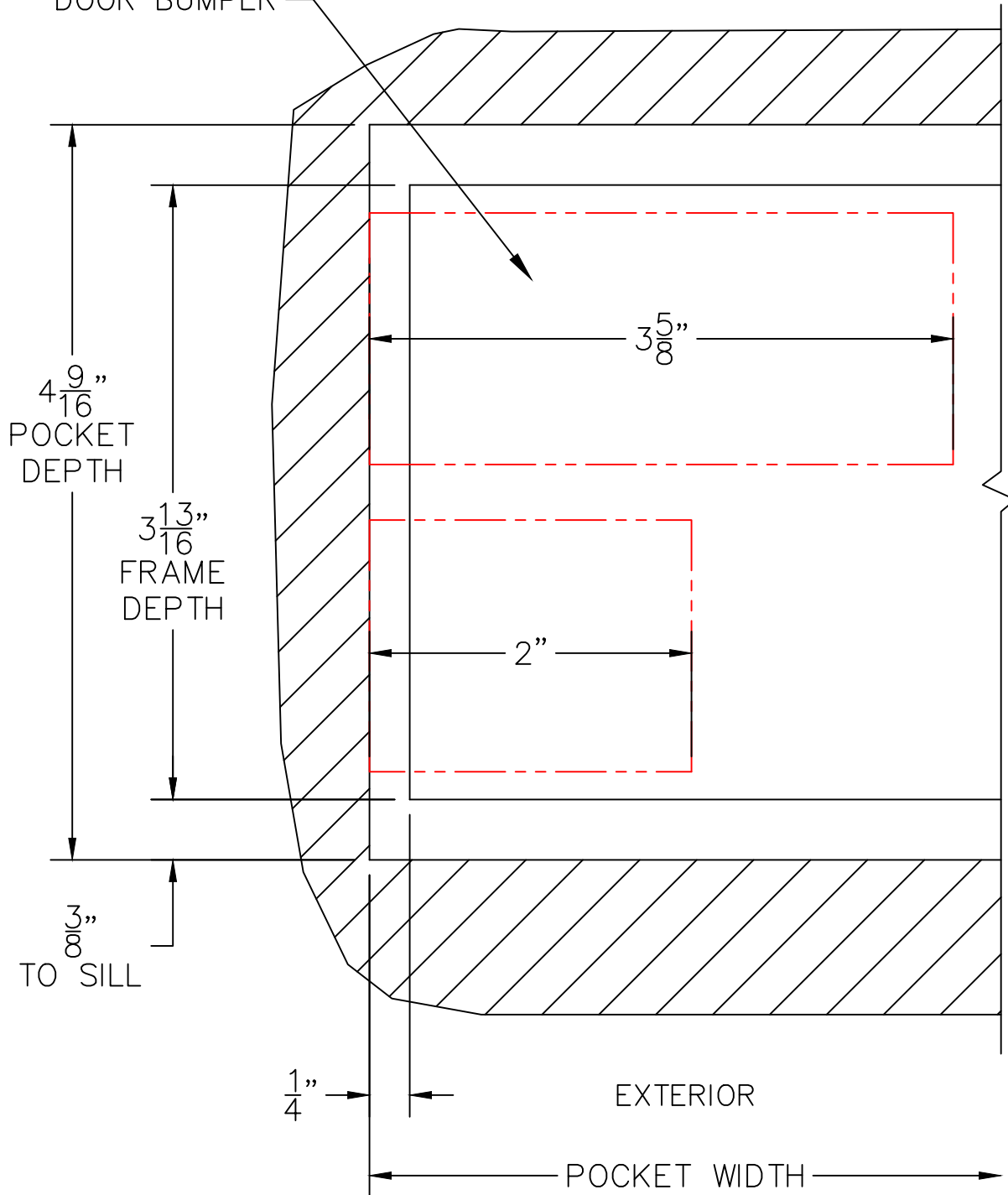
0 0.5 1
(USE RULER TO SCALE DIMENSIONS IN INCHES)
SCALE: FULL

PXX DOOR
HIDDEN TRACK

9

POCKET JAMB

DOOR BUMPER

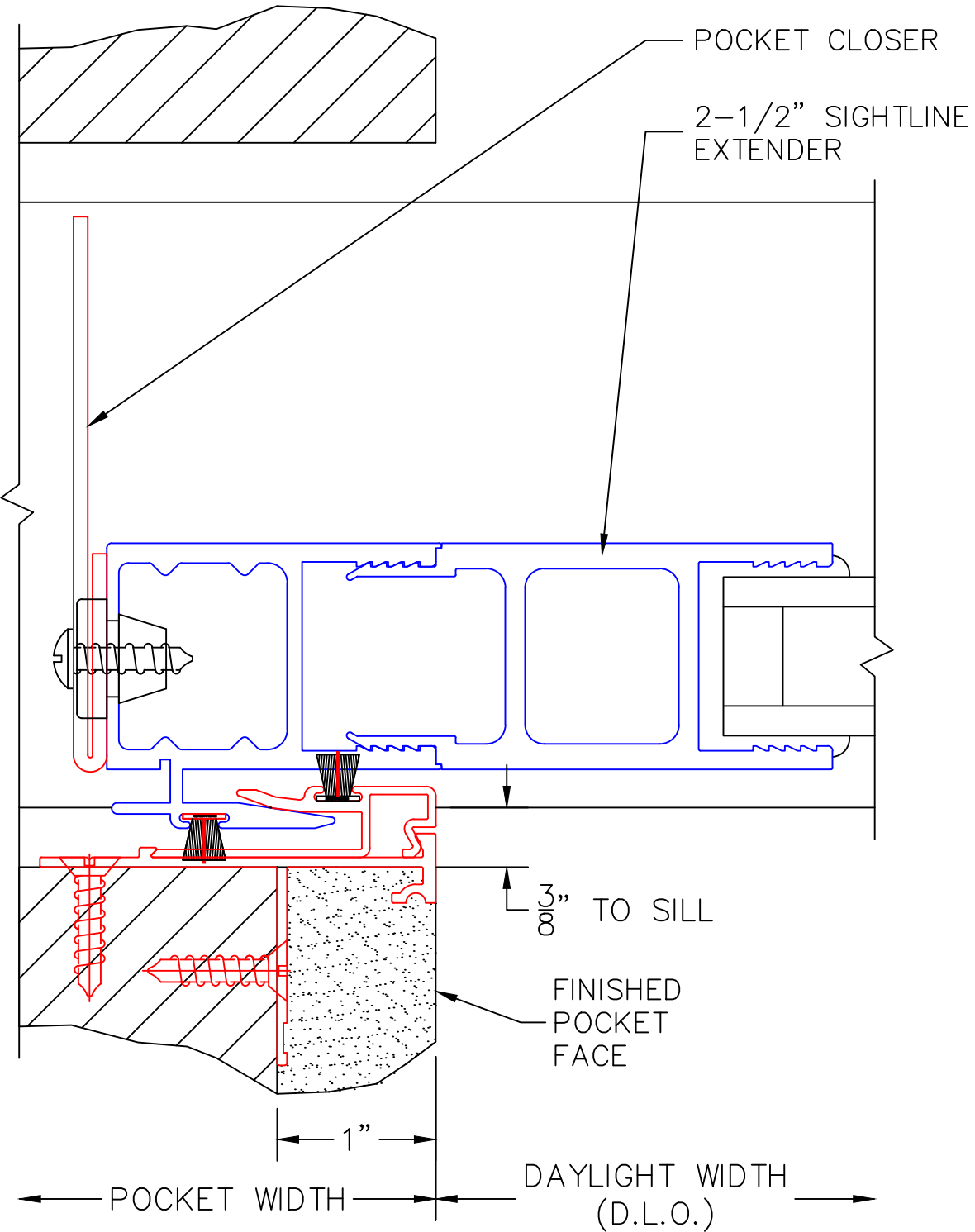


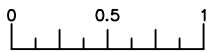
0 0.5 1
(USE RULER TO SCALE DIMENSIONS IN INCHES)
SCALE: FULL

PXX DOOR
HIDDEN TRACK

10

2-PIECE POCKET
INTEROCKER





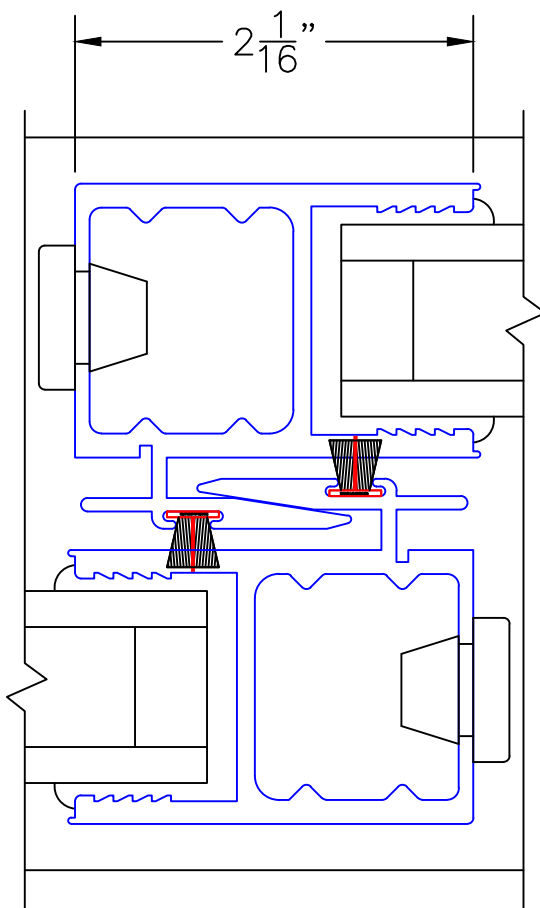
(USE RULER TO SCALE DIMENSIONS IN INCHES)

SCALE: FULL

PXX DOOR
HIDDEN TRACK

11

INTERLOCKERS



EXTERIOR

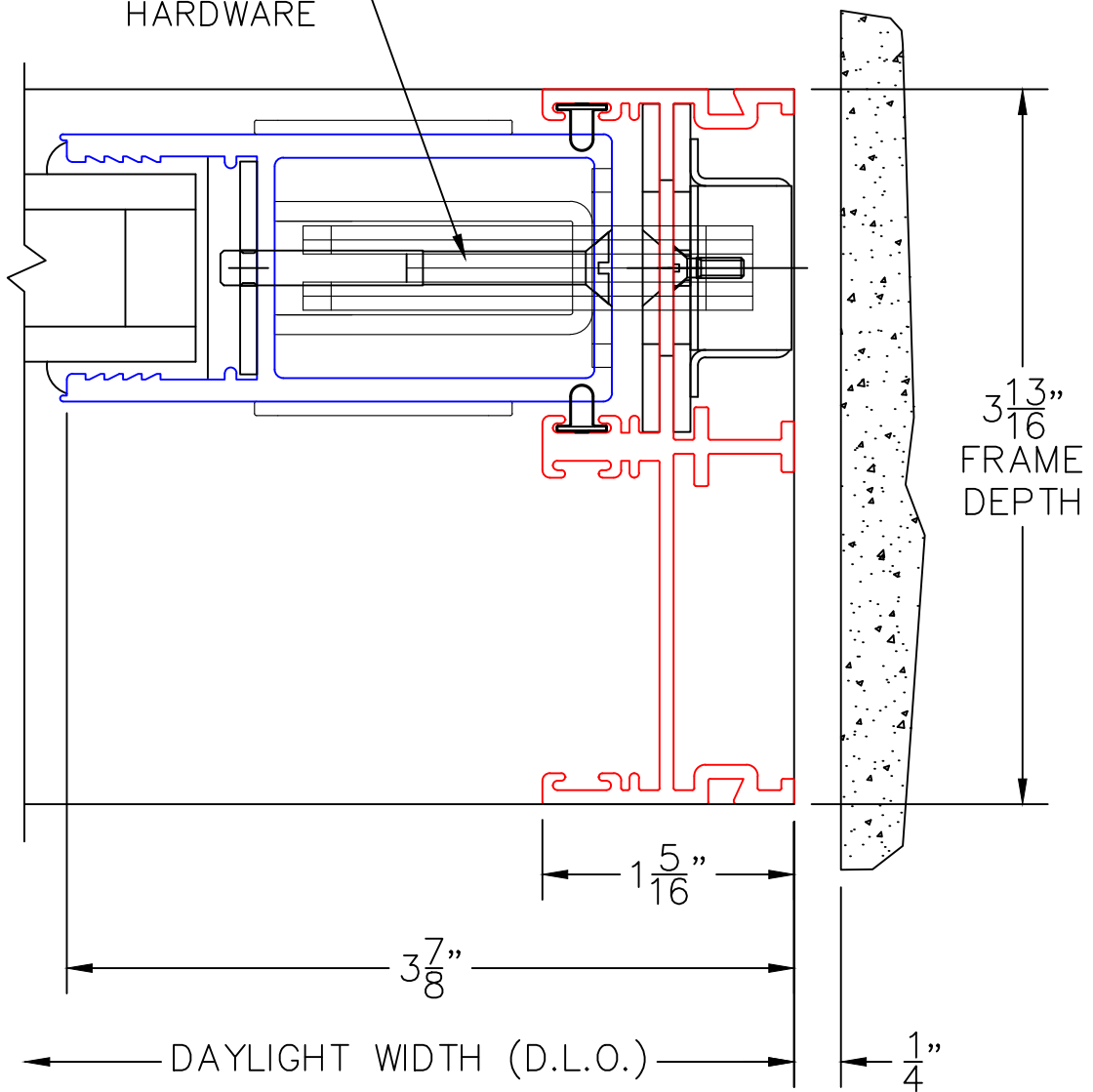
0 0.5 1
(USE RULER TO SCALE DIMENSIONS IN INCHES)
SCALE: FULL

PXX DOOR
HIDDEN TRACK

12

LOCK JAMB

ARCHETYPE NARROW
HARDWARE



EXTERIOR