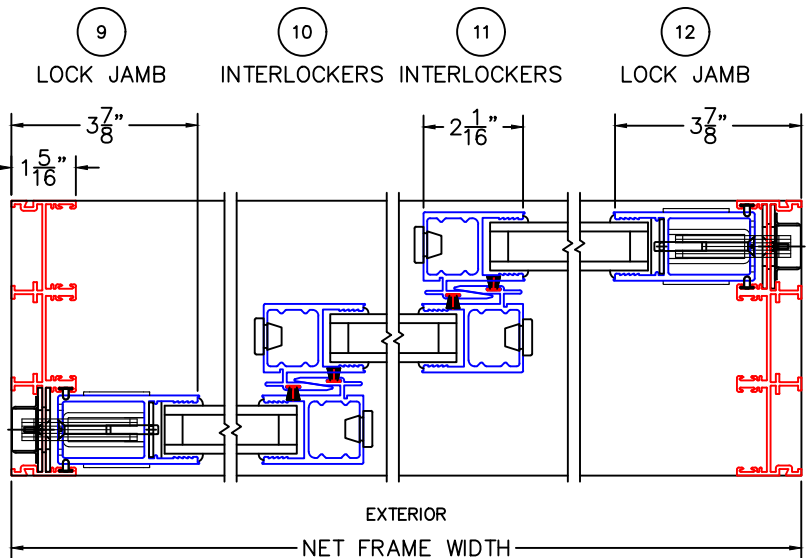
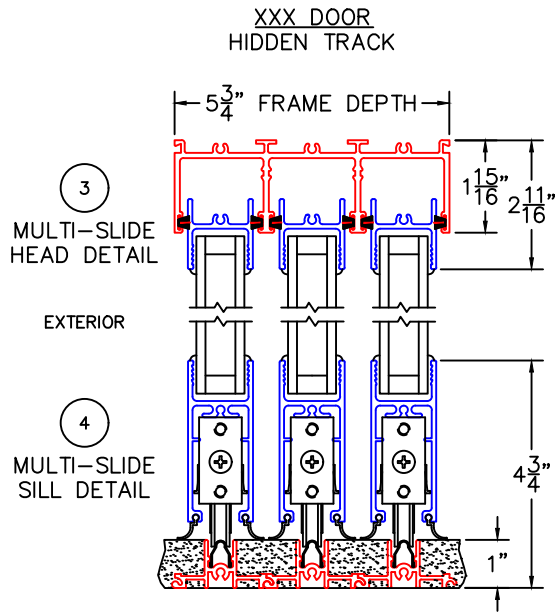
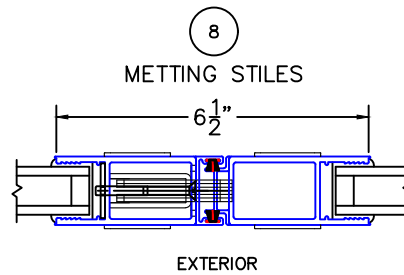
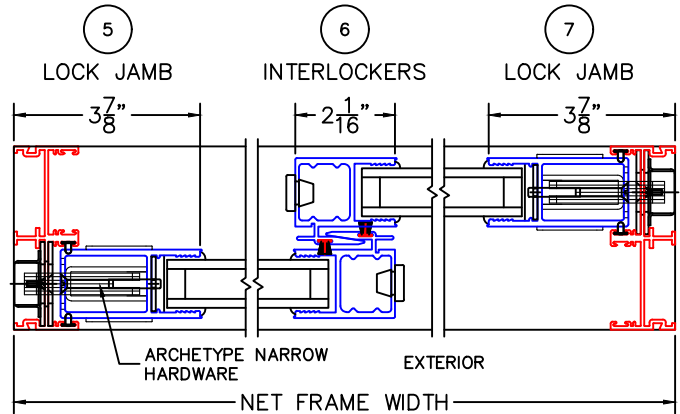
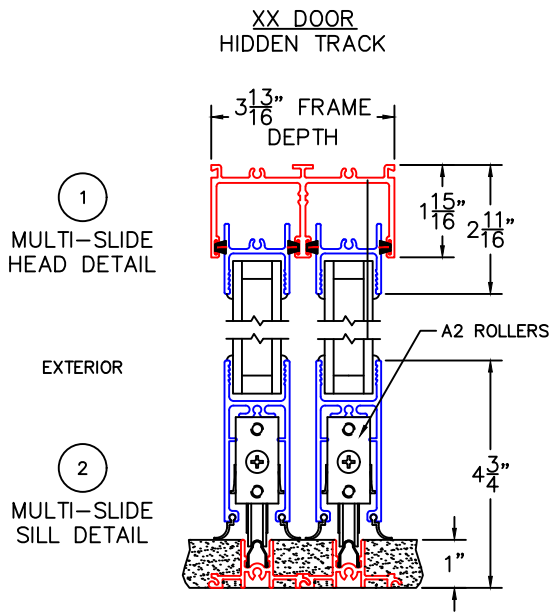
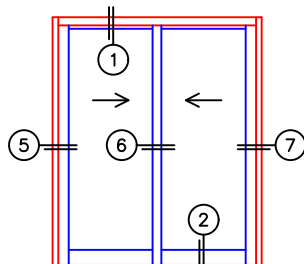


(USE RULER TO SCALE DIMENSIONS IN INCHES)
SCALE: 1/4

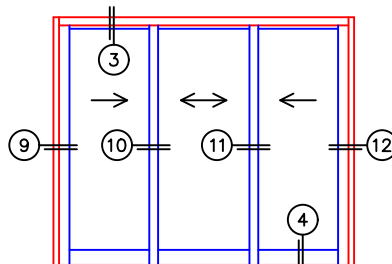
MULTI-SLIDE DOOR DETAILS



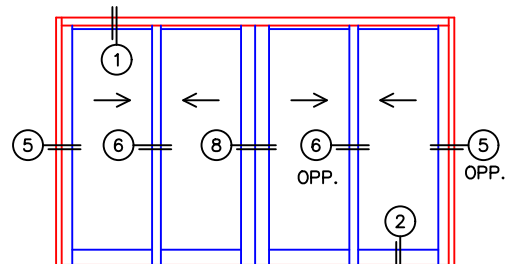
NOTE: CENTERLINES ARE NOT DIVIDED EQUALLY; CONFIRM CENTERLINES WHEN REQUIRED.



XX DOOR



XXX DOOR



XXIXX DOOR

-GLASS PENETRATION: 11/16"
-FOR ADDITIONAL OPTIONS AND UPGRADES
SEE SHEET 1050-07

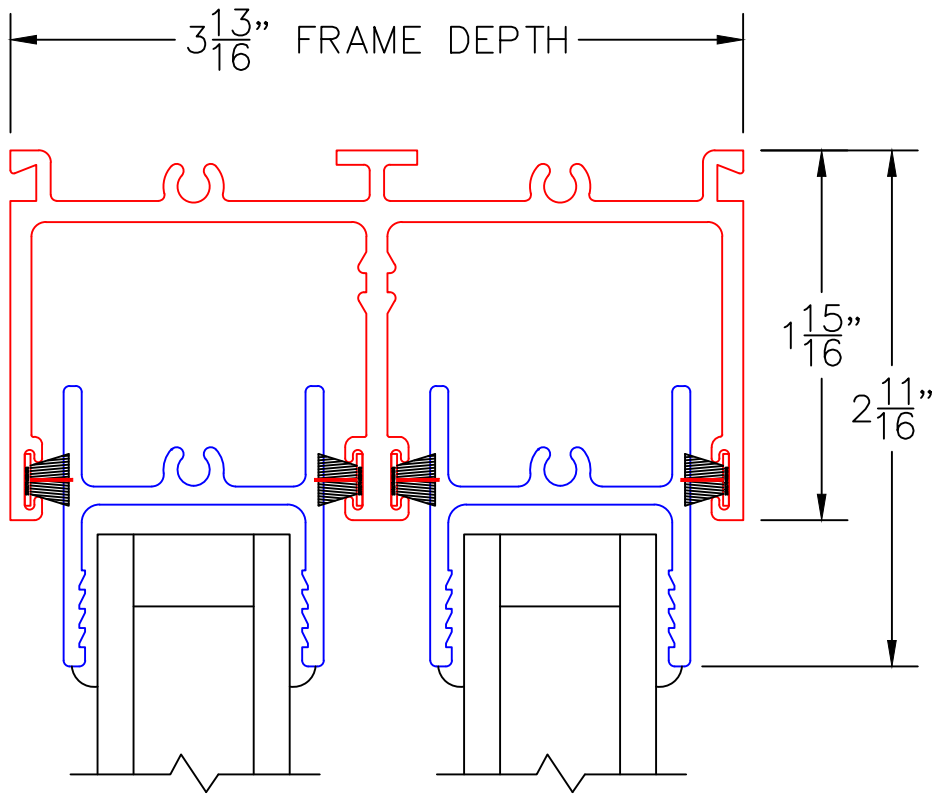
NOTE: PANELS DO NOT FLUSH STACK

0 0.5 1
(USE RULER TO SCALE DIMENSIONS IN INCHES)
SCALE: FULL

XX DOOR
HIDDEN TRACK

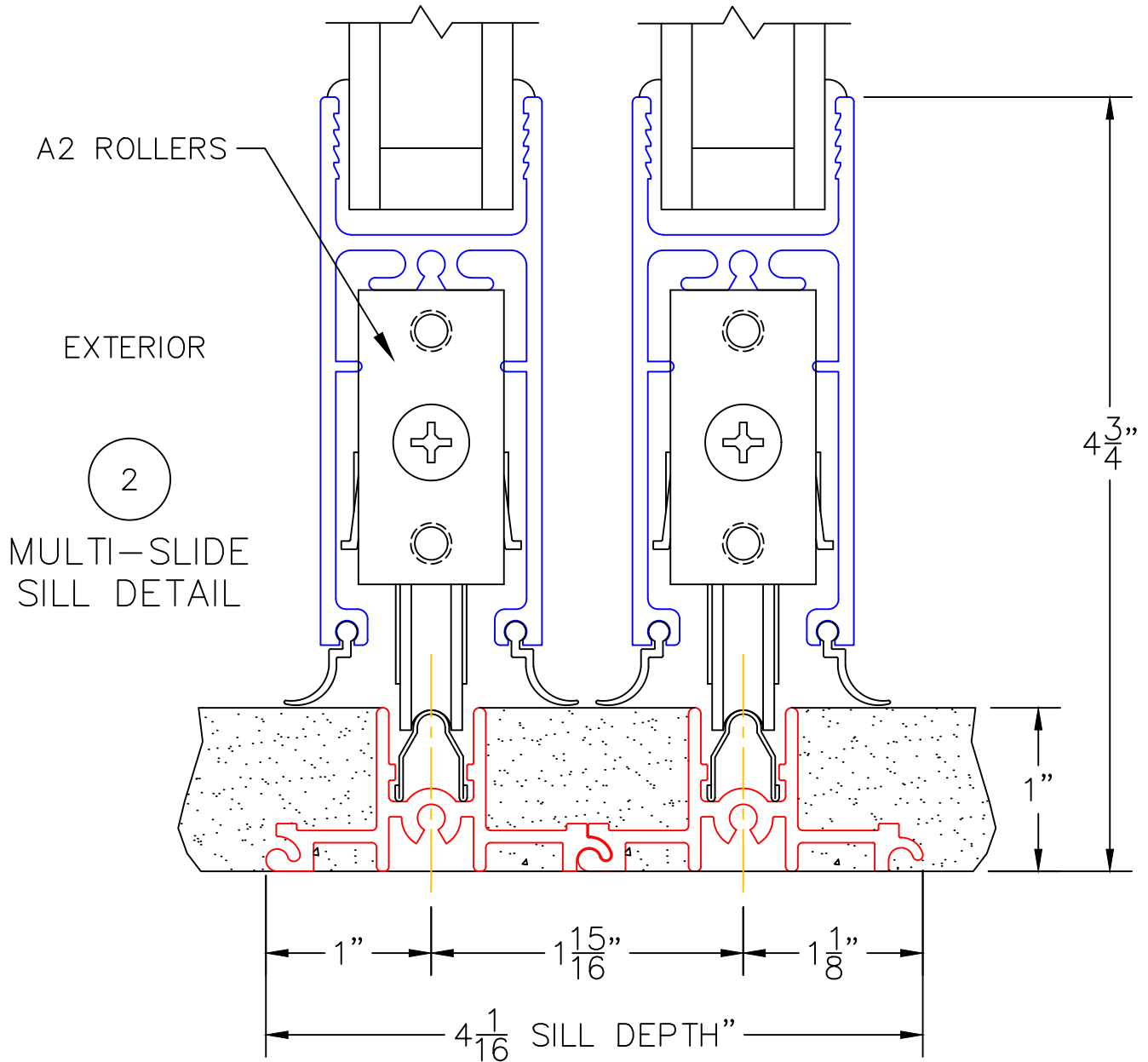
1
MULTI-SLIDE
HEAD DETAIL

EXTERIOR



0 0.5 1
(USE RULER TO SCALE DIMENSIONS IN INCHES)
SCALE: FULL

XX DOOR
HIDDEN TRACK

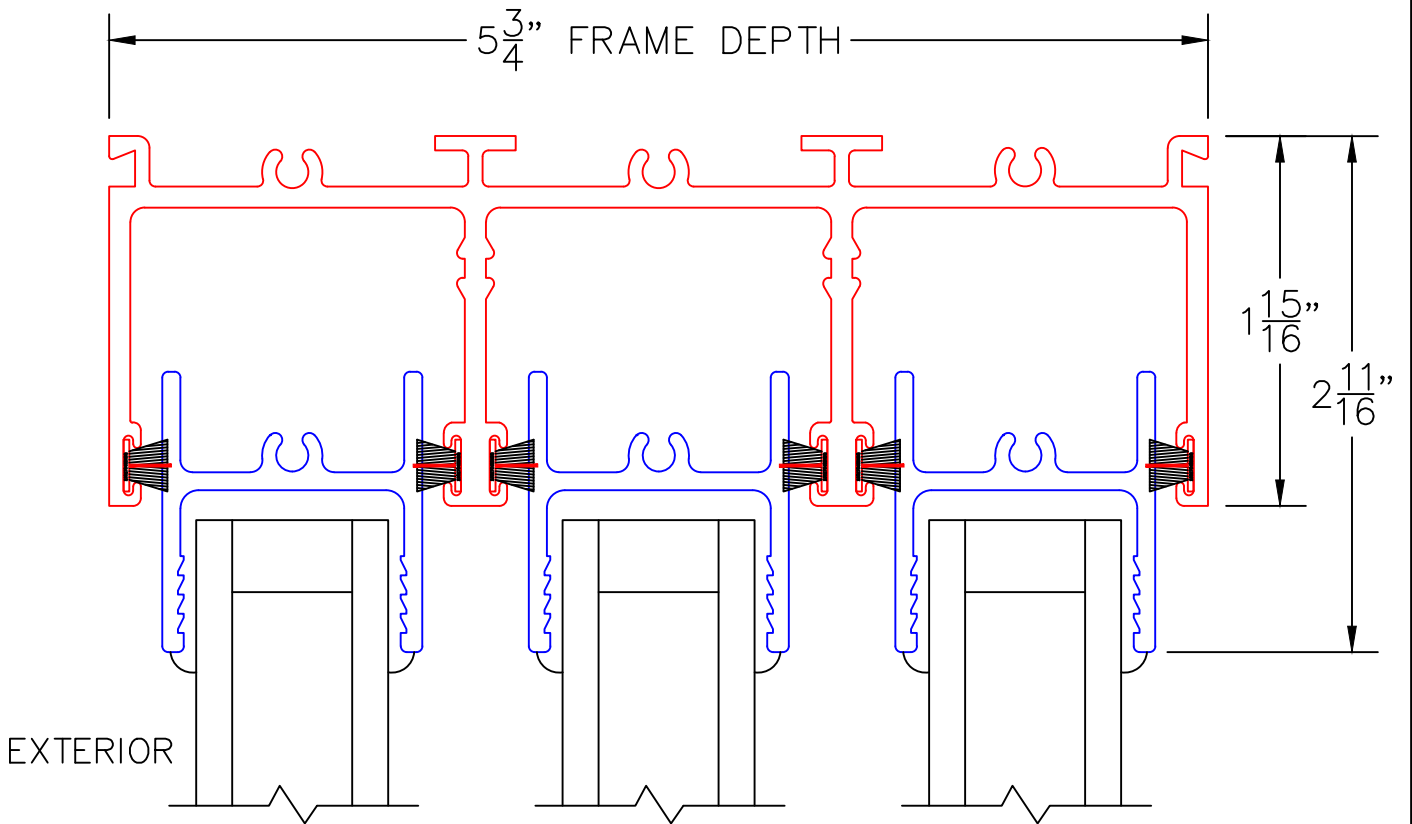


0 0.5 1
(USE RULER TO SCALE DIMENSIONS IN INCHES)
SCALE: FULL

XXX DOOR
HIDDEN TRACK

3

MULTI-SLIDE
HEAD DETAIL

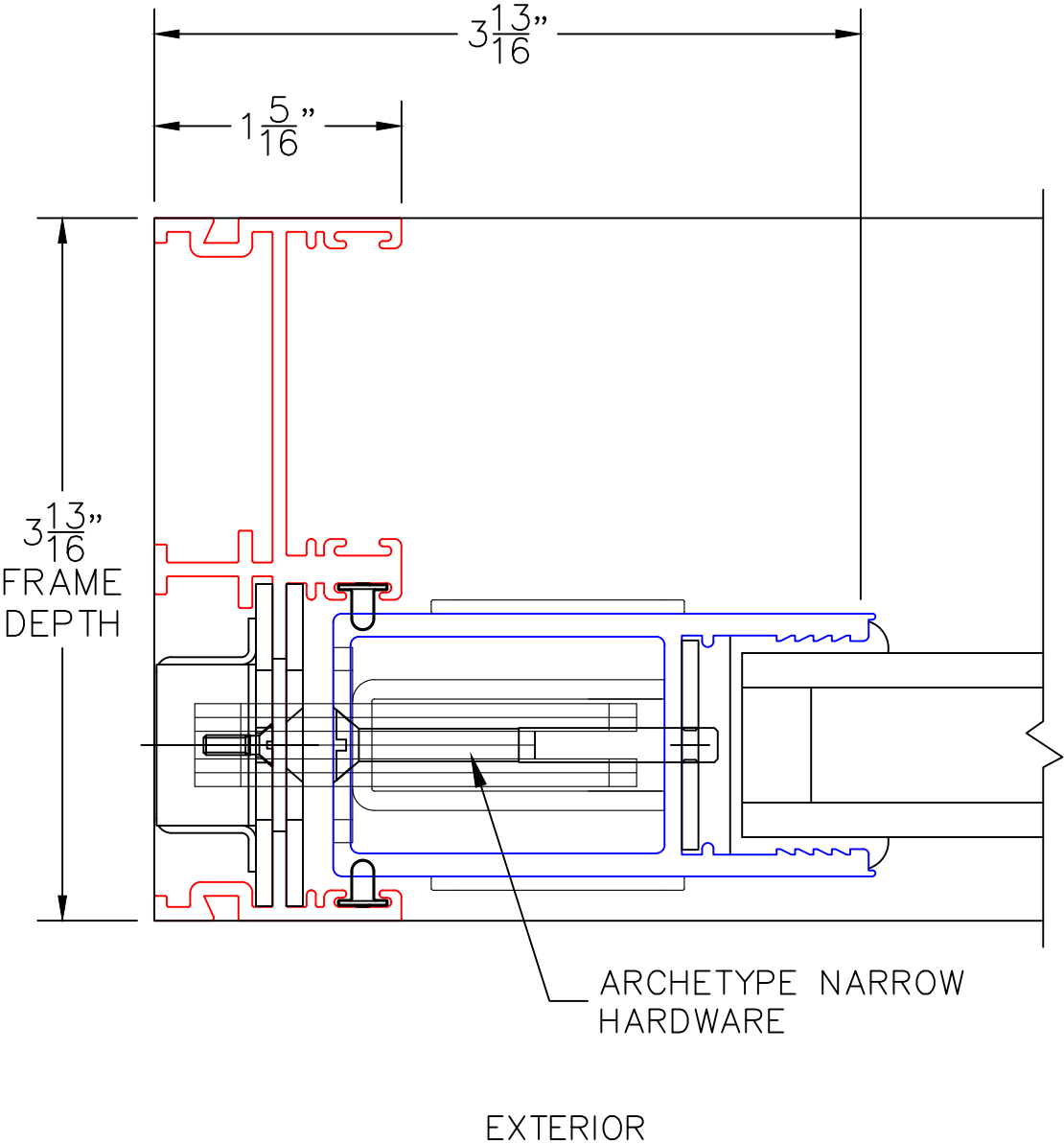


0 0.5 1
(USE RULER TO SCALE DIMENSIONS IN INCHES)
SCALE: FULL

XX DOOR
HIDDEN TRACK

5

LOCK JAMB

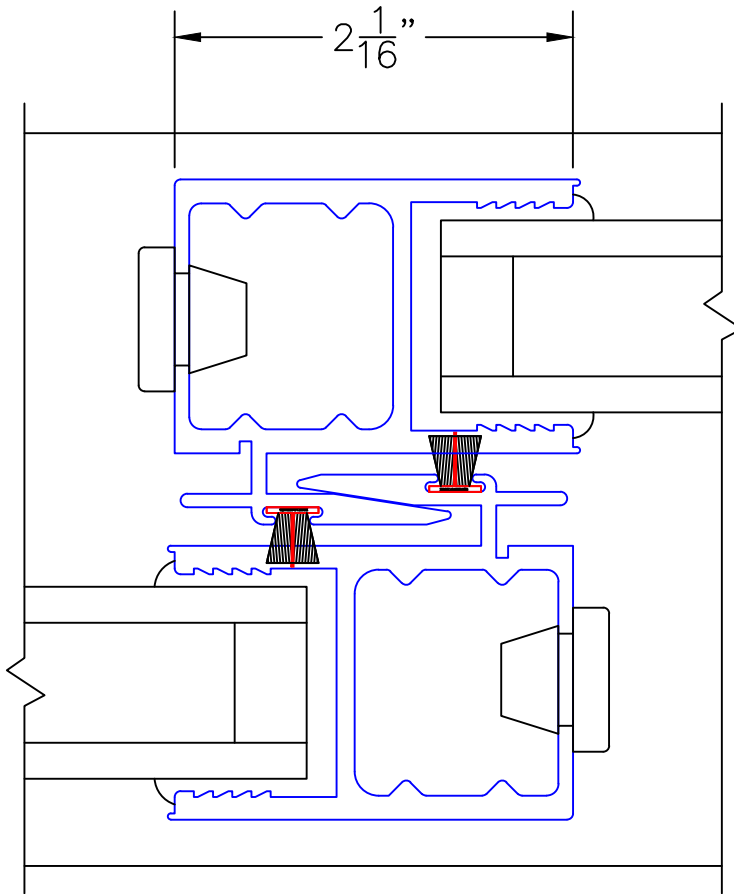


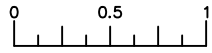
0 0.5 1
(USE RULER TO SCALE DIMENSIONS IN INCHES)
SCALE: FULL

XX DOOR
HIDDEN TRACK

6

INTERLOCKERS





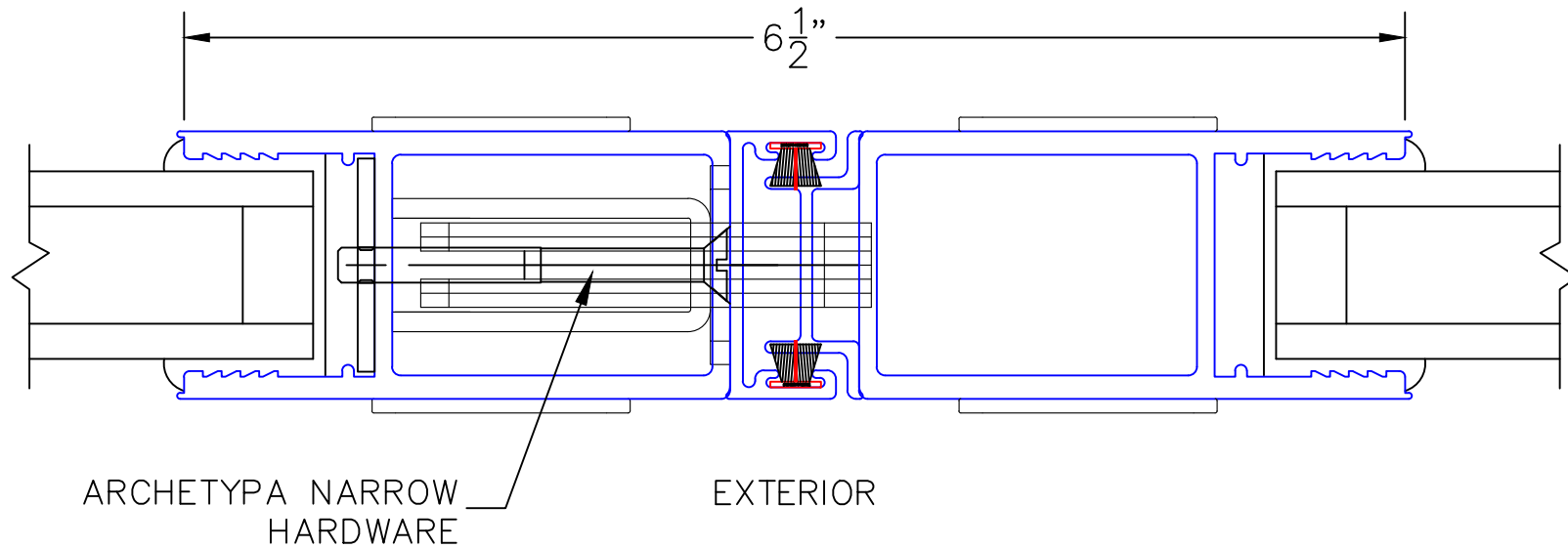
(USE RULER TO SCALE DIMENSIONS IN INCHES)

SCALE: FULL

XXIXX DOOR HIDDEN TRACK

8

MEETING STILES



0 0.5 1
(USE RULER TO SCALE DIMENSIONS IN INCHES)
SCALE: FULL

XXX DOOR
HIDDEN TRACK

9

LOCK JAMB

