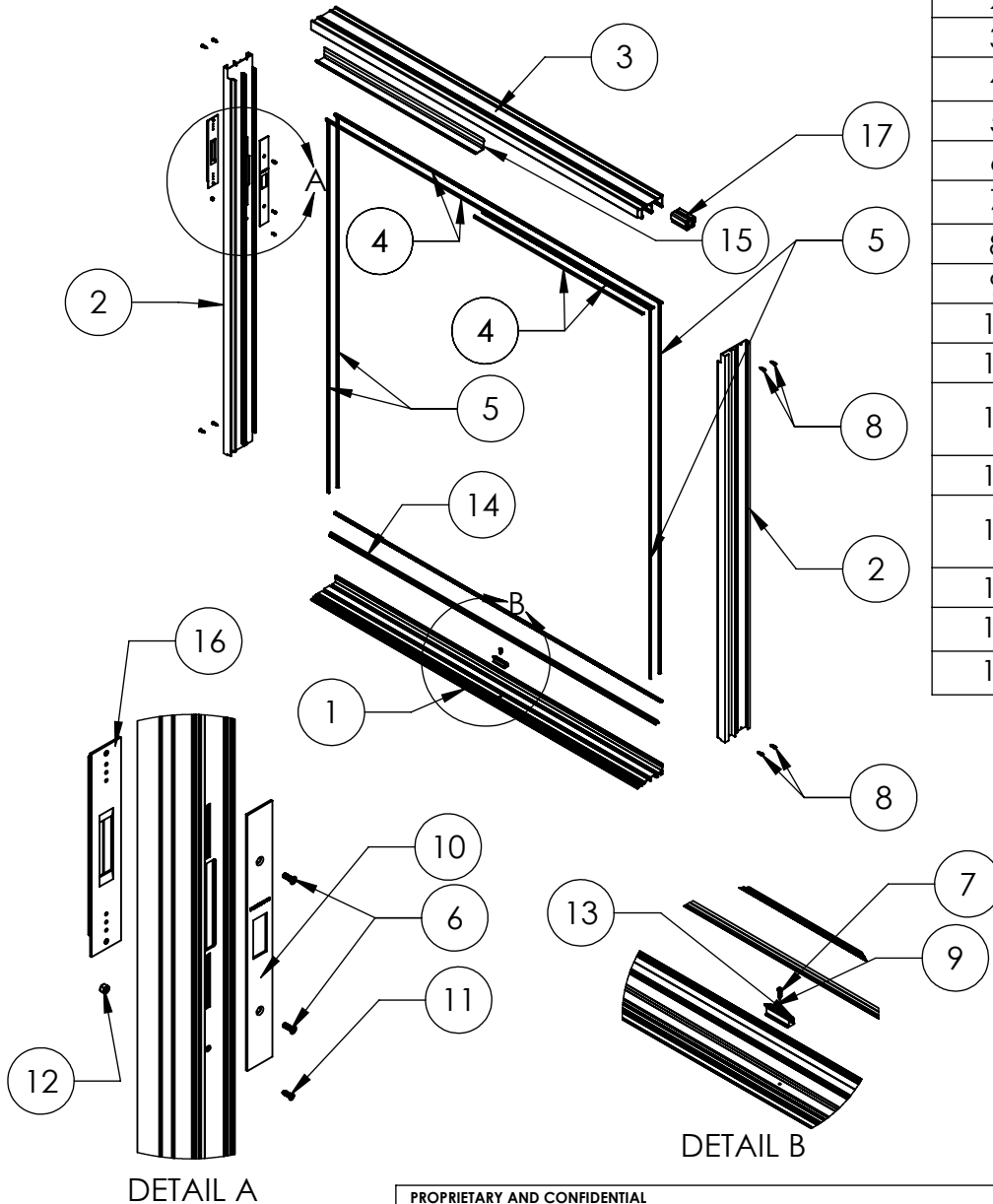




ASSEMBLY / PARTS LIST (B.O.M.)



ITEM NO.	PART NUMBER	DESCRIPTION	QTY.
1	1074	Sill (STD)	1
2	3001, 3012	4.5 Block Lock Jamb, Nail Fin Jamb	2
3	3017, 3095NON	Block Head, Nail-on Head	1
4	19118	Weather Strip 23027045BKQB	5
5	19120	Q-Lon (U5212)	4
6	20278	#10-32 FHP-B-UC, 9/16", SS clear	2
7	20312	No 8-18 PH Self Tapping Screw, .750	1
8	20345	#10 PHP - A, 3/4", Zinc, Clear	8
9	20502	Sill Block (M607, 20483)	1
10	24067	Strike Plate	1
11	25497	#8-32 FHP,UC, 1/2",SS	1
12	25498	#8-32 Nut with Nylon-Insert Hex Locknut,SS	1
13	20404	#10 OH - A, 2.5, Zinc,Gold	1
14	23006	Stainless steel Track - 9/16" (Sliding Doors)	1
15	3011	Head Closer	1
16	24068	Backup Plate (With Dust Cover)	1
17	24101	Honeycomb Head Bumper 2.625"	1

TITLE: Series 1000 Assembly XO Frame	
DWG. NO. Series_1000_Assembly_Parts List_XO_Frame	REV A
DATE: 2/1/16	SHEET 1 OF 1

PROPRIETARY AND CONFIDENTIAL
THE INFORMATION CONTAINED IN THIS DRAWING IS THE SOLE PROPERTY OF FLEETWOOD WINDOWS & DOORS.
ANY REPRODUCTION IN PART OR AS A WHOLE WITHOUT THE WRITTEN PERMISSION OF FLEETWOOD WINDOWS & DOORS IS PROHIBITED.