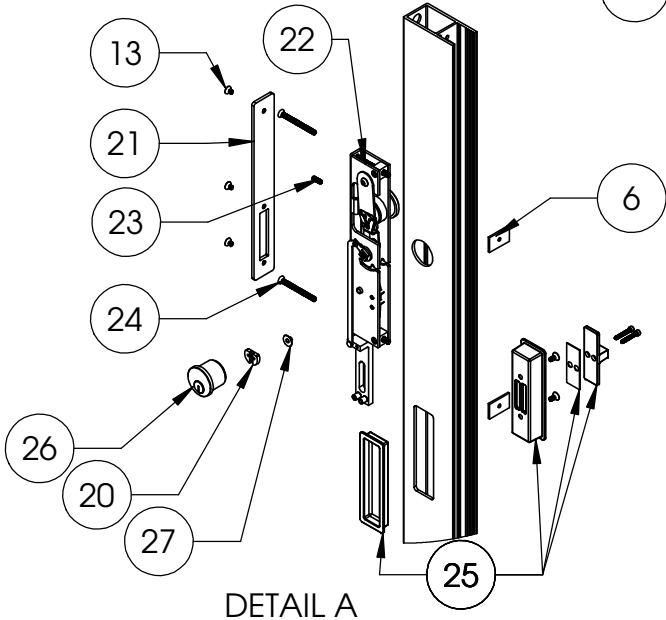
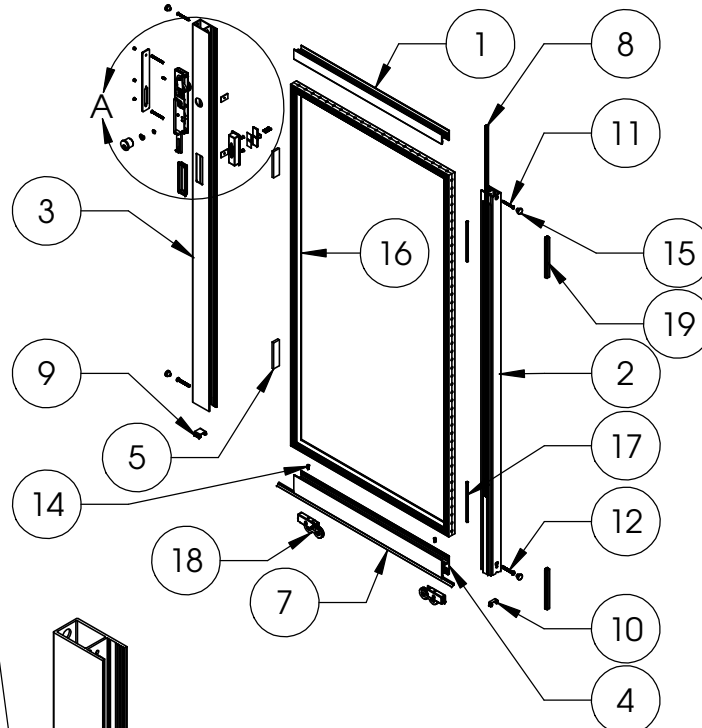




ASSEMBLY / PARTS LIST (B.O.M.)

ITEM NO.	PART NUMBER	DESCRIPTION	QTY.
1	3004	Top Rail DG	1
2	3006	Interlocker	1
3	3005	Lock Stile	1
4	1077	Sliding Bottom Rail	1
5	18620	Setting Block 4" x 1/4"x1"	2
6	18671	Back Up Plate # 10-32 x 0.075 Thk.	2
7	19064	Sill, Wipe, Bottom Vinyl, BL-122	1
8	19117	Large Fin Seal (29027045bkqb)(7578)	1
9	19141	15/16" Bottom Vent Clip 3015 Weather Strip Insert (3779)	1
10	19142	3/8" Bottom Vent Clip 3015 Weather Strip Insert (3779)	1
11	20355	# 10 PHP Screw , 2 in	2
12	20361	1/4-20 PHP-B, 2", Clear, SS	2
13	24076	# 8-32 FH Socket Cap Screw, 3/8",SS	3
14	25428	# 10-32 FHP Screw, 0.5"	2
15	20635	Small Round Door Bumper	4
16	22909	1 Inch Vinyl	1
17	22927	Screen Spline .250 6"	2
18	23095	Small Roller Stainless Stell 1.50" dia	2
19	24653	Air Barrier Standard Interlock	2
20	24780	Cam - (for the Archetype Key Cylinder)	1
21	25309	Archetype Narrow Latch Face Plate	1
22	25320	Archetype Narrow Flush Latch OX	1
23	25330	# 8-32 x 1/2" Set Screw narrow arch. Cyl.	1
24	25349	# 10-32 FHP - B, 2.0", SS, Clear	2
25	25415, 25417, 25419 & 25416, 25418, 25420	Archetype Narrow Active Handle Set (Silver, Black, Stainless Steel) & Dummy Handle Set (Silver, Black, Stainless Steel)	1
26	25427, 25423, 25421 & 25426, 25424, 25422	Archetype Narrow KA Cylinder Set (Silver, Black, Stainless Steel) & Dummy Handle Set (Silver, Black, Stainless Steel)	1
27	25681	Bushing-Key Cyl. - Narrow Arch.	1



DETAIL A

PROPRIETARY AND CONFIDENTIAL
THE INFORMATION CONTAINED IN THIS DRAWING IS THE SOLE PROPERTY OF FLEETWOOD WINDOWS & DOORS.
ANY REPRODUCTION IN PART OR AS A WHOLE WITHOUT THE WRITTEN PERMISSION OF FLEETWOOD WINDOWS & DOORS IS PROHIBITED.

TITLE:
SERIES 1000 ASSEMBLY X PANEL

DWG. NO.
Series_1000_Assembly_Parts
List_X Panel

REV
A

DATE: 3/28/16

SHEET 1 OF 1