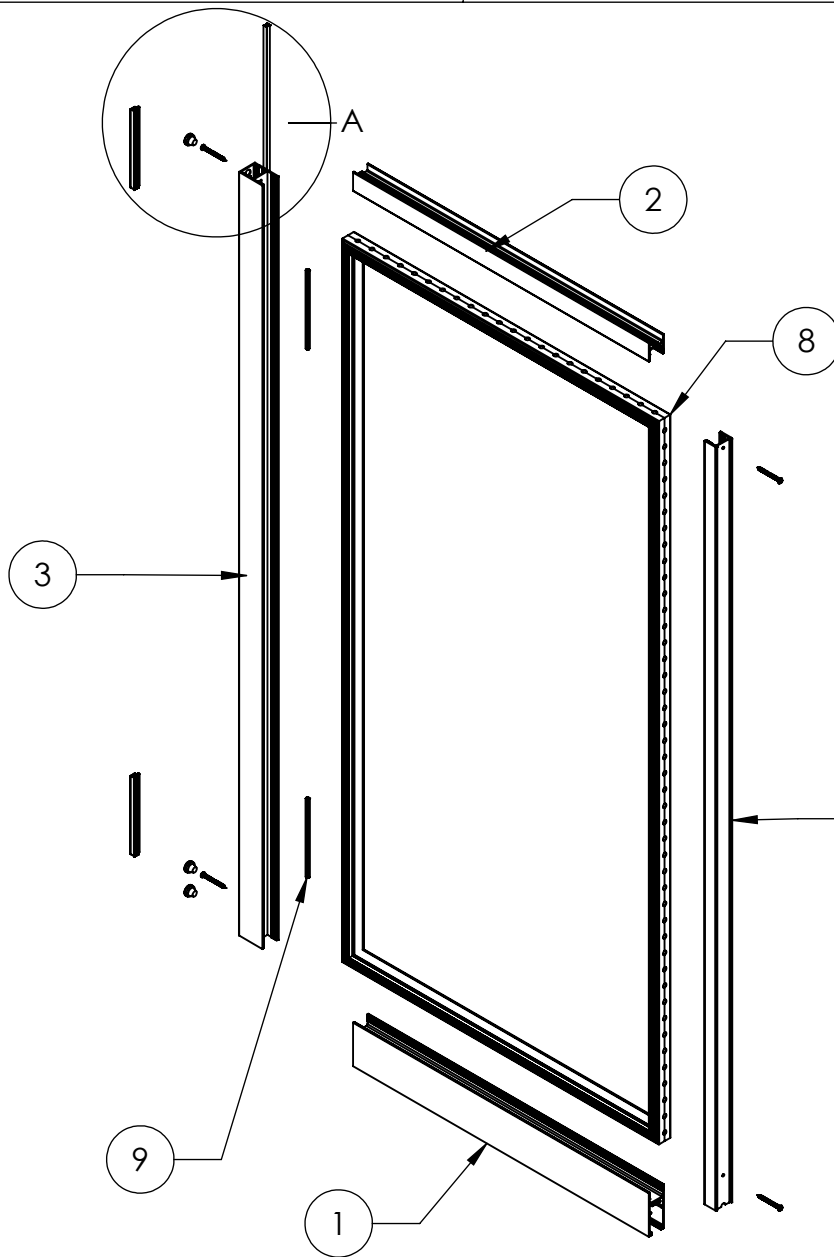
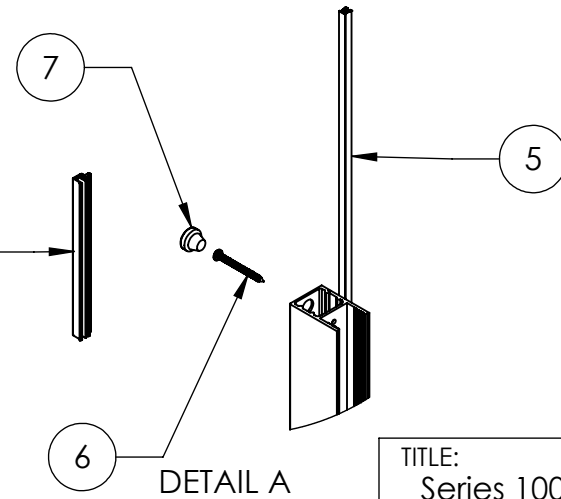




ASSEMBLY / PARTS LIST (B.O.M.)



ITEM NO.	PART NUMBER	DESCRIPTION	QTY.
1	3009	Sliding Bottom Rail / (/F1-FXD Rail) DG	1
2	3004	Top Rail DG	1
3	3006	Interlocker	1
4	3008, 3005	Narrow Fixed Stile, Archetype Narrow Fixed Stile	1
5	19117	Large Fin Seal (29027045bkqb)(7578)	1
6	20356	#10 PHP - A, 2", Zinc, Clear	4
7	20635	Small Round Panel Plug (All Doors)	3
8	22909	1 Inch Vinyl	1
9	22927	Screen Spline .250 6"	2
10	24653	Air Barrier Standard Interlock	2



TITLE: Series 1000 Assembly O Panel	
DWG. NO. Series_1000_Assembly_Parts List_O Panel	REV A
DATE: 2/1/16	SHEET 1 OF 1

PROPRIETARY AND CONFIDENTIAL
THE INFORMATION CONTAINED IN THIS DRAWING IS THE SOLE PROPERTY OF FLEETWOOD WINDOWS & DOORS.
ANY REPRODUCTION IN PART OR AS A WHOLE WITHOUT THE WRITTEN PERMISSION OF FLEETWOOD WINDOWS & DOORS IS PROHIBITED.