

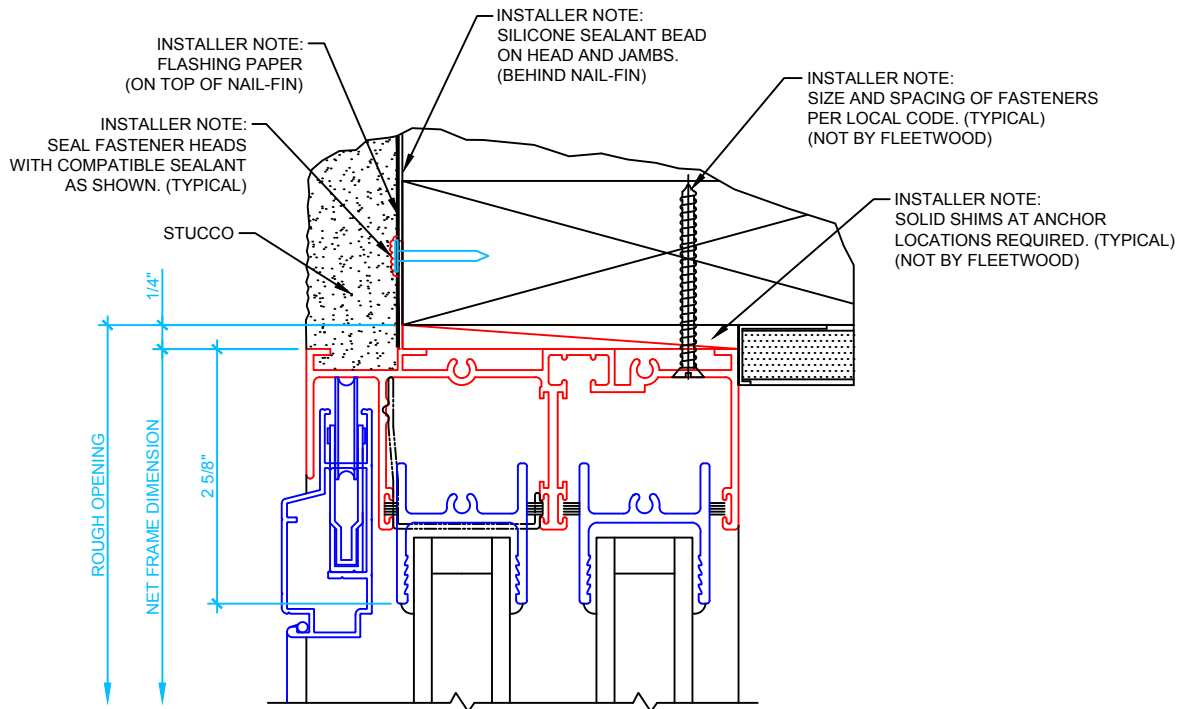
# SERIES 1000

## ANCHOR LOCATION WORKSHEET

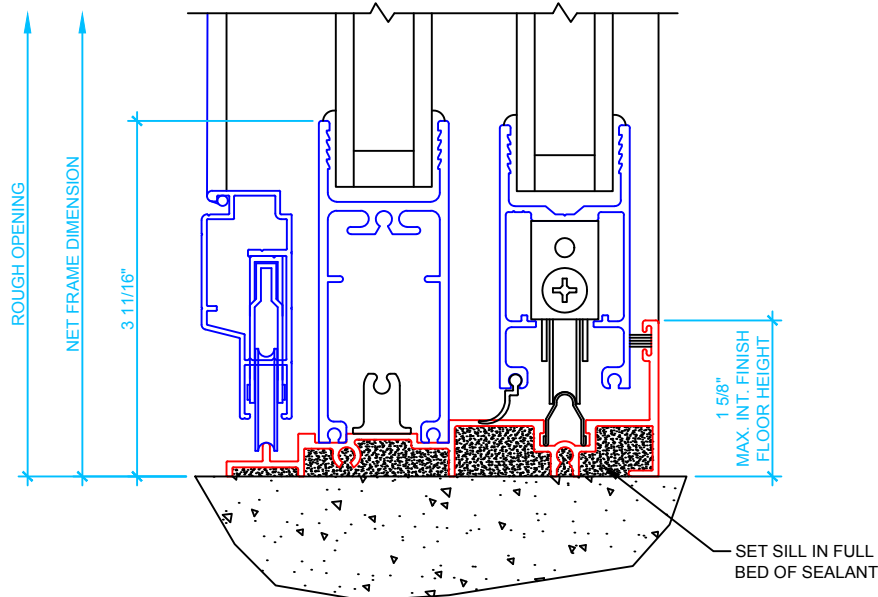
### NAIL-ON FRAME

#### FRAME ANCHOR CHECKLIST

FASTENER TYPE	
MINIMUM EMBEDMENT	
MINIMUM EDGE DISTANCE	
ANCHOR LOCATIONS	
FROM ENDS	
ON CENTER	



**1** DOOR HEAD  
SCALE: 6" = 1'



**2** DOOR SILL  
SCALE: 6" = 1'

**SILL DISCLAIMER:** IT IS THE MANUFACTURERS DESIRE FOR THE INSTALLER TO **NOT** PIERCE THE SILL. IN SOME CASES THE CODE OR SPECIFICATIONS REQUIRE SUCH. IN THESE CASES THE INSTALLER IS RESPONSIBLE TO SEAL THESE BREACHES.

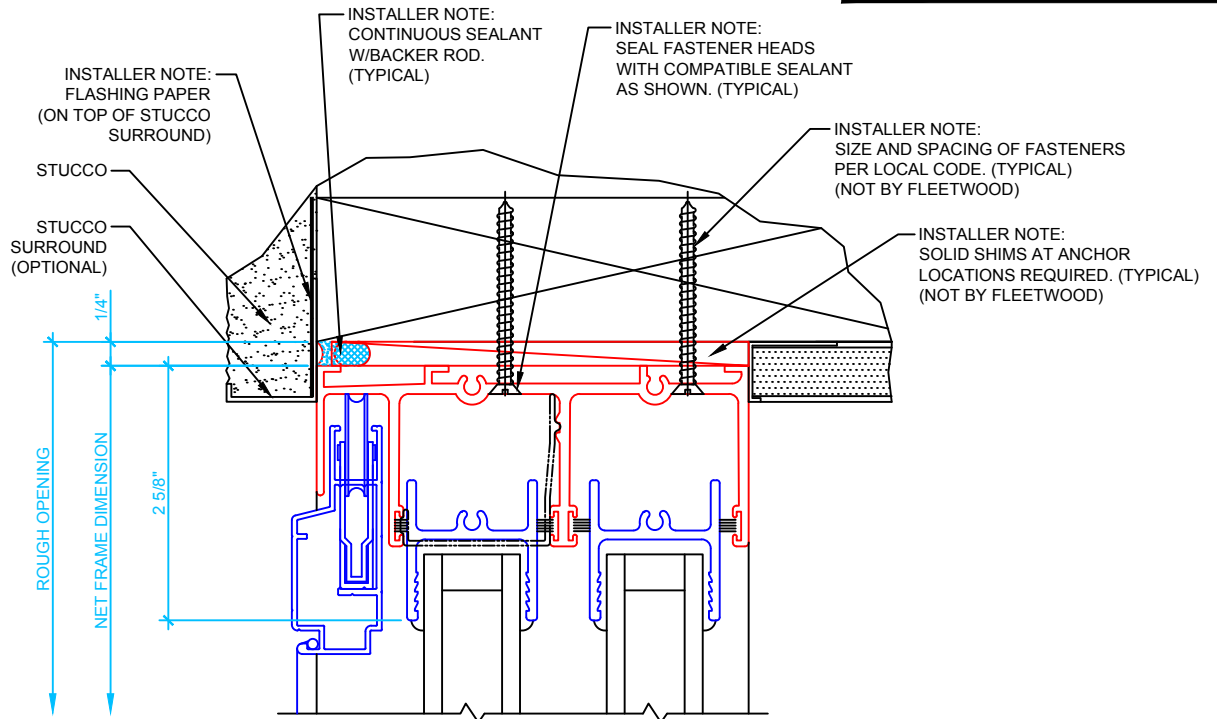
# SERIES 1000

## ANCHOR LOCATION WORKSHEET

### BLOCK FRAME

#### FRAME ANCHOR CHECKLIST

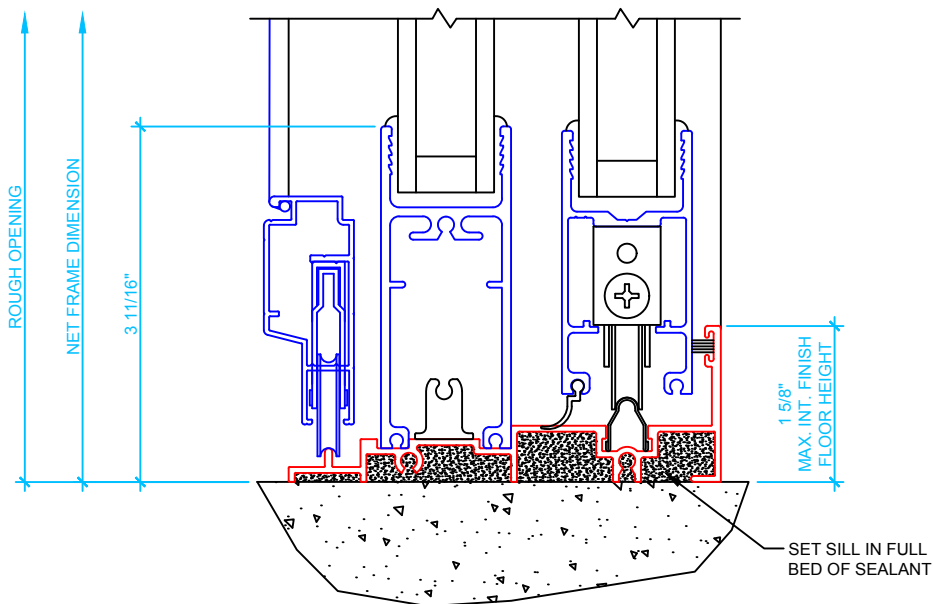
FASTENER TYPE	
MINIMUM EMBEDMENT	
MINIMUM EDGE DISTANCE	
ANCHOR LOCATIONS	
FROM ENDS	
ON CENTER	



EXTERIOR

### 1 DOOR HEAD

SCALE: 6" = 1'



### 2 DOOR SILL

SCALE: 6" = 1'

**SILL DISCLAIMER:** IT IS THE MANUFACTURERS DESIRE FOR THE INSTALLER TO **NOT** PIERCE THE SILL. IN SOME CASES THE CODE OR SPECIFICATIONS REQUIRE SUCH. IN THESE CASES THE INSTALLER IS RESPONSIBLE TO SEAL THESE BREACHES.