

# ASSEMBLY / PARTS LIST (B.O.M.)

**Series: 1000**  
**Type: XO Configuration**



## TABLE OF CONTENTS

ITEM NO.	PART NUMBER	QTY.	PAGE #
1	Frame	1	2-3
2	X Panel	1	4
3	O Panel	1	5
4	Screen	1	6

Description  
 Table of Contents

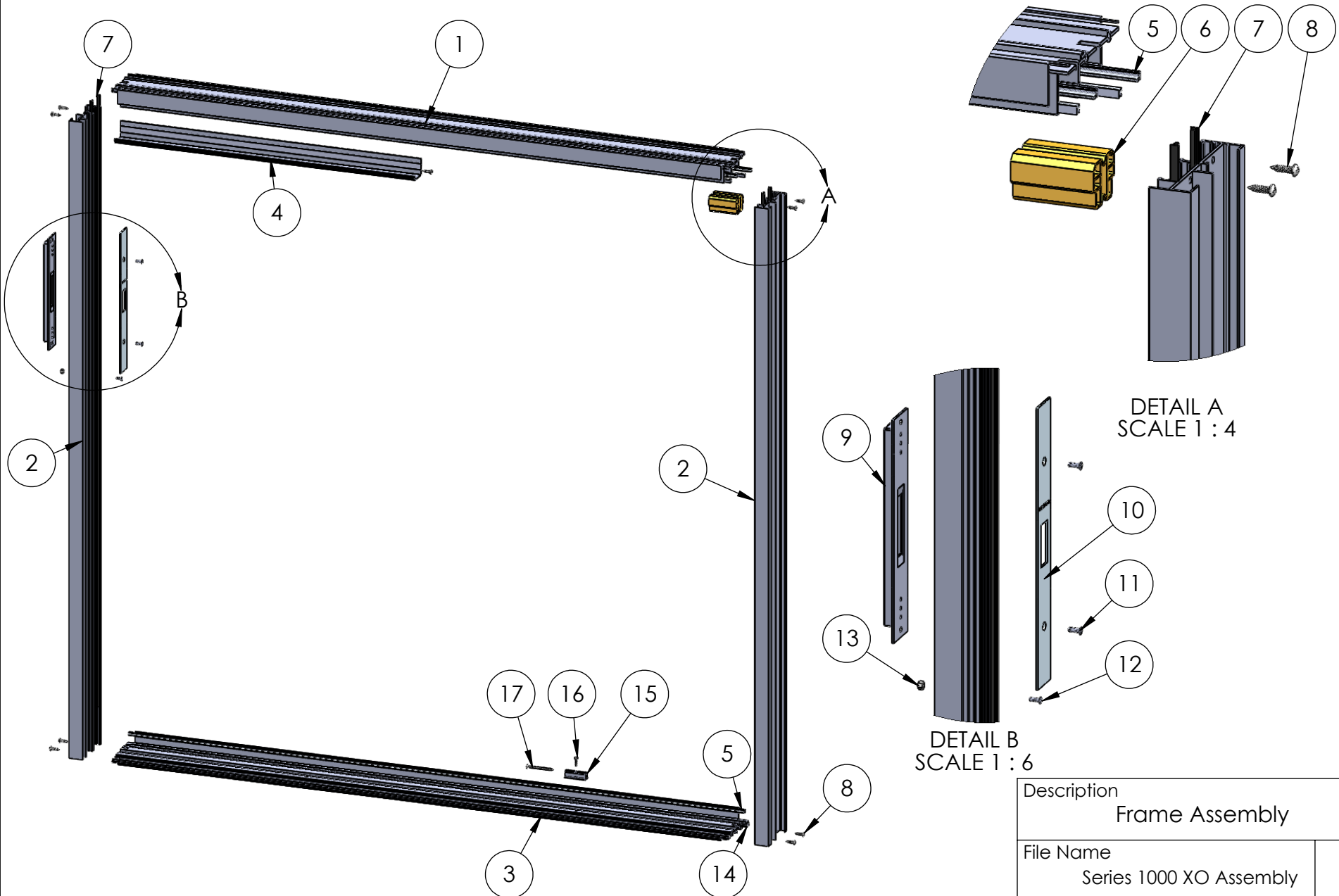
File Name  
 Series 1000 XO Assembly

REV  
**A**

Released 11/12/2018

SHEET 1 OF 7

# ASSEMBLY / PARTS LIST (B.O.M.)



**PROPRIETARY AND CONFIDENTIAL**  
 THE INFORMATION CONTAINED IN THIS DRAWING IS THE SOLE PROPERTY OF FLEETWOOD WINDOWS & DOORS.  
 ANY REPRODUCTION IN PART OR AS A WHOLE WITHOUT THE WRITTEN PERMISSION OF FLEETWOOD WINDOWS & DOORS IS PROHIBITED.

Description Frame Assembly	
File Name Series 1000 XO Assembly	REV <b>A</b>
Released 11/12/2018	SHEET 2 OF 7

# ASSEMBLY / PARTS LIST (B.O.M.)

## Extrusions

ITEM NO.	PART NUMBER	DESCRIPTION	QTY.
1	3017	Block Head	1
2	3001, 3012	Block Lock Jamb, Nail Fin Jamb	2
3	1074	Sill (STD)	1
4	3011	Head Closer	1

## Hardware

ITEM NO.	PART NUMBER	DESCRIPTION	QTY.
5	19118	Weather Strip 23027045BKQB	5
6	24101, 25350	Bumper, Sliding Door Head Installation (2.625", 4.625")	1
7	19120	Q-Lon (U5212)	4
8	20347	#10 PHP Screw, 3/4" Length	9
9	24068	Backup Plate (With Dust Cover)	1
10	24067	Strike Plate	1
11	20278	#10-32 FHP-B-UC, 9/16", SS clear	2
12	25497	#8-32 FHP,UC, 1/2",SS	1
13	25498	#8-32 Nut with Nylon-Insert Hex Locknut,SS	1
14	23006	Stainless steel Track - 9/16" (Sliding Doors)	1
15	20502	Sill Block (M607, 20483)	1
16	20312	#8 PHP-TEK Screw, SS, .75 in	1
17	20404	#10 OH - A, 2.5, Zinc, Gold	1

Description

Frame B.O.M.

File Name

Series 1000 XO Assembly

REV  
**A**

Released

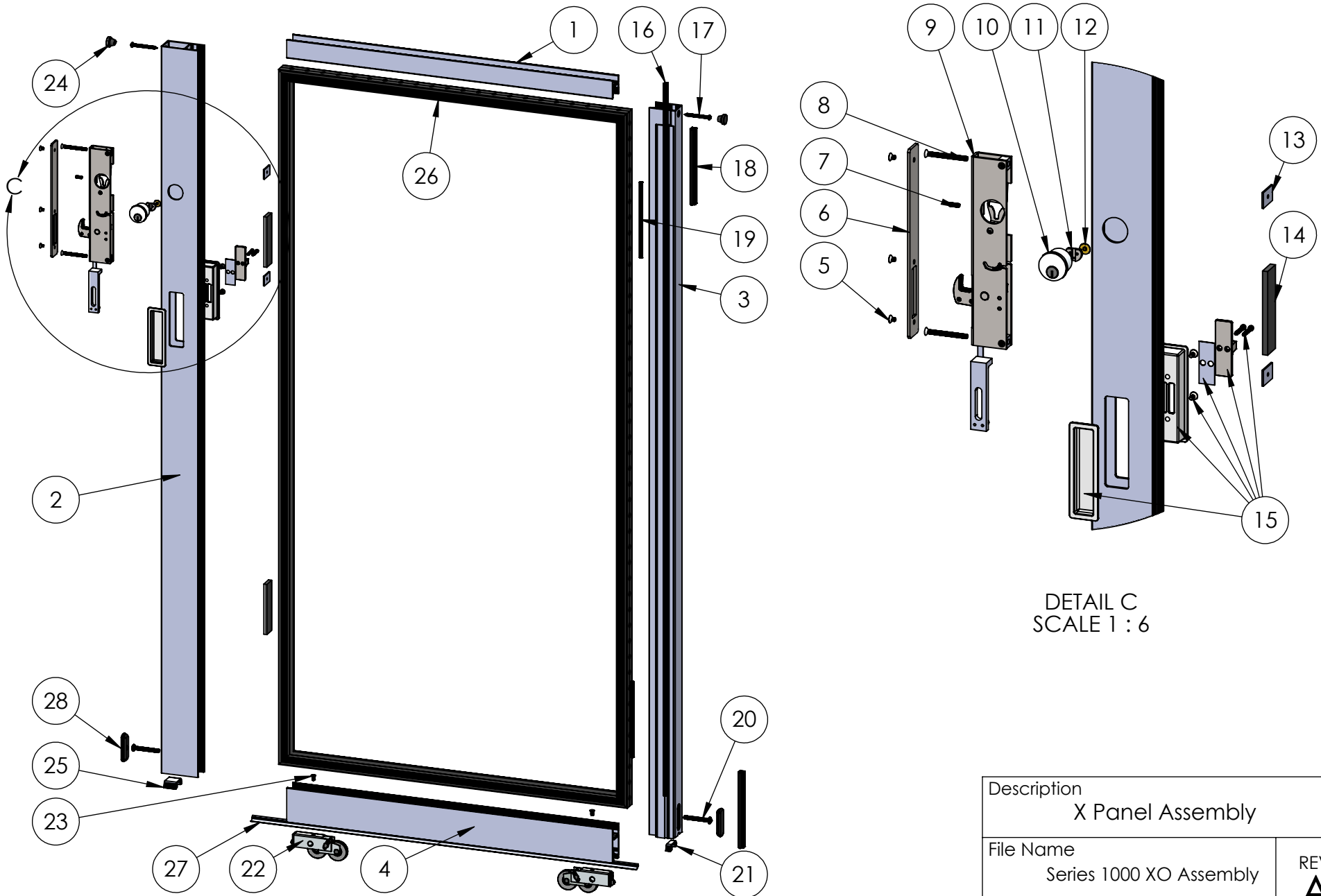
11/12/2018

SHEET 3 OF 7

**PROPRIETARY AND CONFIDENTIAL**

THE INFORMATION CONTAINED IN THIS DRAWING IS THE SOLE PROPERTY OF FLEETWOOD WINDOWS & DOORS.  
ANY REPRODUCTION IN PART OR AS A WHOLE WITHOUT THE WRITTEN PERMISSION OF FLEETWOOD WINDOWS & DOORS IS PROHIBITED.

# ASSEMBLY / PARTS LIST (B.O.M.)



DETAIL C  
SCALE 1 : 6

Description X Panel Assembly	
File Name Series 1000 XO Assembly	REV <b>A</b>
Released 11/12/2018	SHEET 4 OF 7

**PROPRIETARY AND CONFIDENTIAL**  
THE INFORMATION CONTAINED IN THIS DRAWING IS THE SOLE PROPERTY OF FLEETWOOD WINDOWS & DOORS.  
ANY REPRODUCTION IN PART OR AS A WHOLE WITHOUT THE WRITTEN PERMISSION OF FLEETWOOD WINDOWS & DOORS IS PROHIBITED.

# ASSEMBLY / PARTS LIST (B.O.M.)

EXTRUSIONS			
ITEM NO.	PART NUMBER	DESCRIPTION	QTY.
1	3004	Top Rail DG	1
2	3005	Lock Stile	1
3	3006	Interlocker	1
4	1077	Sliding Bottom Rail	1

HARDWARE			
ITEM NO.	PART NUMBER	DESCRIPTION	QTY.
5	24076	#8-32 FH Socket Cap Screw, 3/8",SS	3
6	25309	Archetype Narrow Latch Face Plate	1
7	25330	#8-32 x 1/2" Set Screw narrow arch. Cyl,	1
8	-	#10-32 FHP Screw, 1.125"	2
9	25319	Archetype Narrow Flush Latch (XO)	1
10	Key Cylinder		1
11	24780	Cam - (for the Archetype Key Cylinder)	1
12	25681	Bushing-Key Cyl. - Narrow Arch.	1
13	18671	Back Up Plate # 10-32 x 0.075 Thk.	2
14	18620	Setting Block 4" x 1/4"x1"	2
15	25415	Archetype Narrow Active Handle Set (Silver)	1
16	19117, Large Fin Seal	Large Fin Seal (29027045bkqb)(7578)	1
17	20355	#10 PHP Screw , 2 in	2

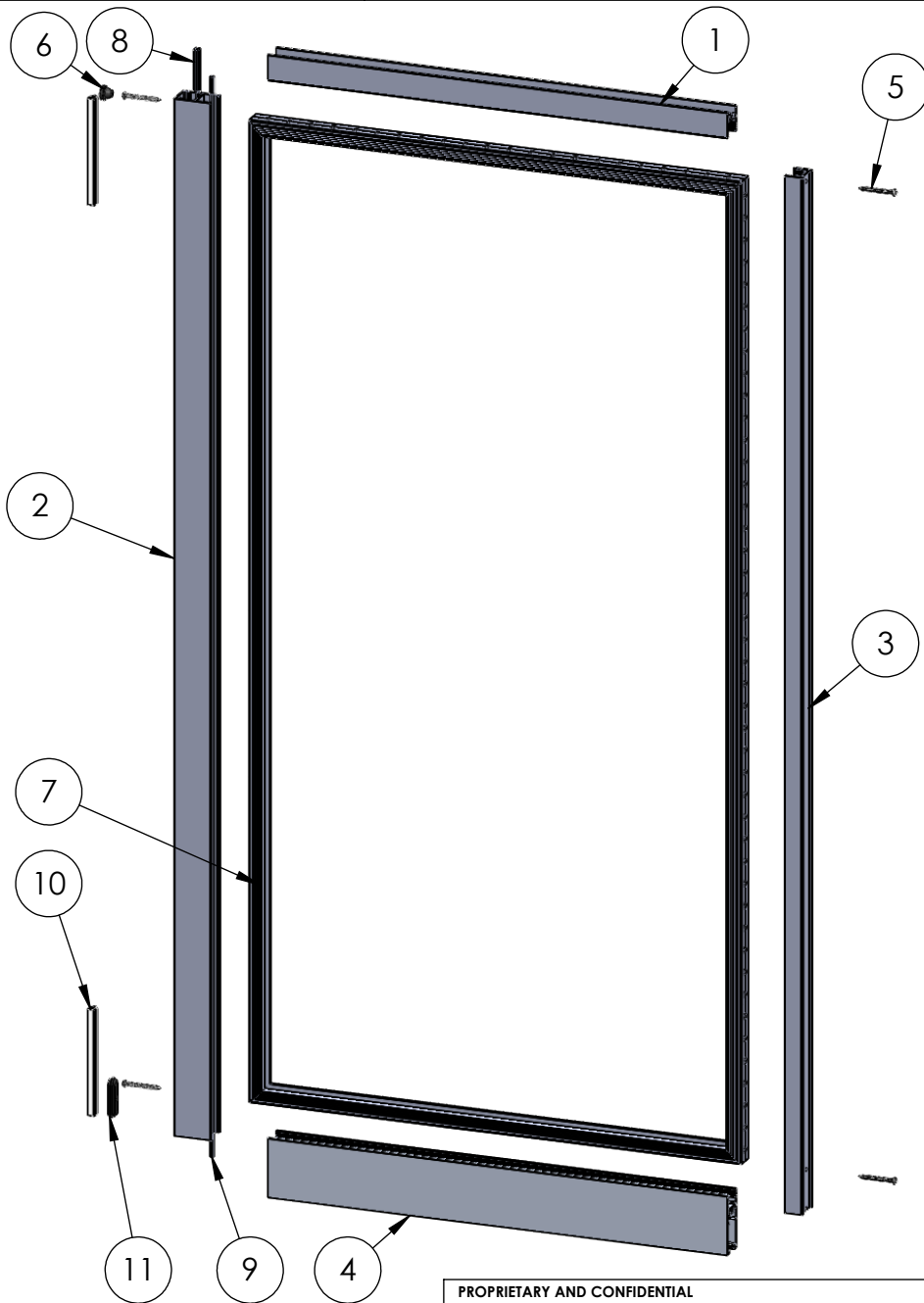
HARDWARE			
ITEM NO.	PART NUMBER	DESCRIPTION	QTY.
18	24653	Air Barrier Standard Interlock	2
19	22927	Screen Spline .250 6"	2
20	20361	1/4-20 PHP-B, 2", Clear, SS	2
21	19142	3/8" Bottom Vent Clip 3015 Weather Strip Insert (3779)	1
22	23095	A1 Roller	2
23	20266	#10-32 FHP-B-UC Screw, .375 in	2
24	20635	Small Round Door Bumper	2
25	19141	15/16" Bottom Vent Clip 3015 Weather Strip Insert (3779)	1
26	22909	1 Inch Vinyl	1
27	19064	Sill, Wipe, Bottom Vinyl, BL-122	1
28	18630	Oval Plug - Short	2

Description X Panel B.O.M.	
File Name Series 1000 XO Assembly	REV <b>A</b>
Released 11/12/2018	SHEET 5 OF 7

PROPRIETARY AND CONFIDENTIAL

THE INFORMATION CONTAINED IN THIS DRAWING IS THE SOLE PROPERTY OF FLEETWOOD WINDOWS & DOORS.  
ANY REPRODUCTION IN PART OR AS A WHOLE WITHOUT THE WRITTEN PERMISSION OF FLEETWOOD WINDOWS & DOORS IS PROHIBITED.

# ASSEMBLY / PARTS LIST (B.O.M.)

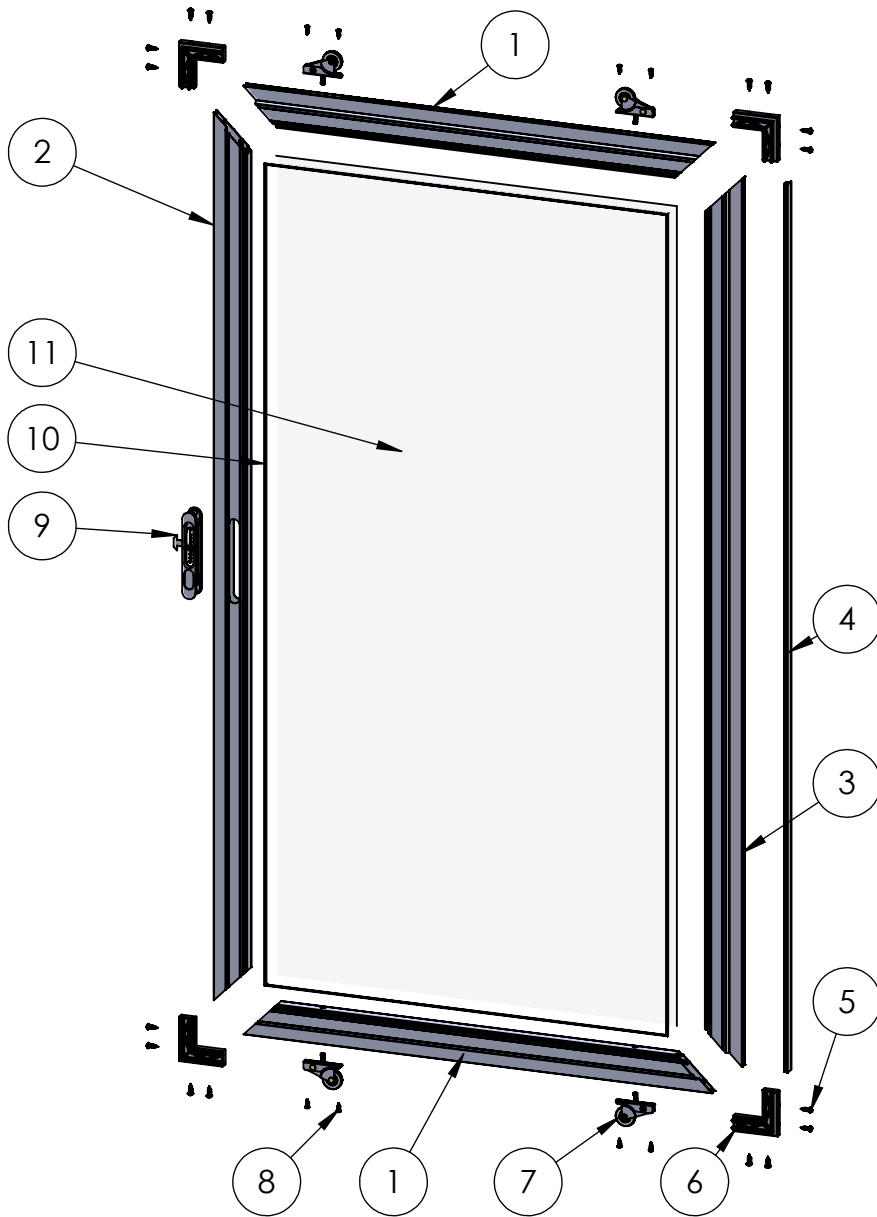


EXTRUSIONS			
ITEM NO.	PART NUMBER	DESCRIPTION	Default/ QTY.
1	3004	Top Rail DG	1
2	3006	Interlocker	1
3	3008	Narrow Fixed Stile	1
4	3009	Sliding Bottom Rail	1
HARDWARE			
ITEM NO.	PART NUMBER	DESCRIPTION	QTY.
5	20355	#10 PHP Screw , 2 in	4
6	20635	Small Round Door Bumper	1
7	22909	1 Inch Vinyl	1
8	19117	Large Fin Seal (29027045bkqb)	1
9	22927	Screen Spline .250 6"	2
10	24653	Air Barrier Standard Interlock	2
11	18630	Oval Plug - Short	1

**PROPRIETARY AND CONFIDENTIAL**  
 THE INFORMATION CONTAINED IN THIS DRAWING IS THE SOLE PROPERTY OF FLEETWOOD WINDOWS & DOORS.  
 ANY REPRODUCTION IN PART OR AS A WHOLE WITHOUT THE WRITTEN PERMISSION OF FLEETWOOD WINDOWS & DOORS IS PROHIBITED.

Description		O Panel	
File Name		Series 1000 XO Assembly	REV <b>A</b>
Released	11/12/2018	SHEET 6 OF 7	

# ASSEMBLY / PARTS LIST (B.O.M.)



## EXTRUSIONS

ITEM NO.	PART NUMBER	DESCRIPTION	Default/QTY.
1	145	Top / Bottom Rail	2
2	145	Lock Stile	1
3	145	Stile	1

## HARDWARE

ITEM NO.	PART NUMBER	DESCRIPTION	QTY.
4	20531	Bug Wipe Screen	1
5	-	#10 PHP Screw, .625 in	16
6	20489	Screen Corner Door B1240	4
7	22905	Screen Roller, 1.25" dia., Stainless Steel	4
8	Included 22905	#6-20 PHP Screw, .5 in	8
9	20474	Screen Handle	1
10	19130	Screen Rubber Spline .160	1
11	-	Screen Mesh	1

Description  
Screen Assembly

File Name  
Series 1000 XO Assembly

REV  
**A**

Released 11/12/2018

SHEET 7 OF 7