

ASSEMBLY / PARTS LIST (B.O.M.)

Series: 1000
Type: OXOL Configuration

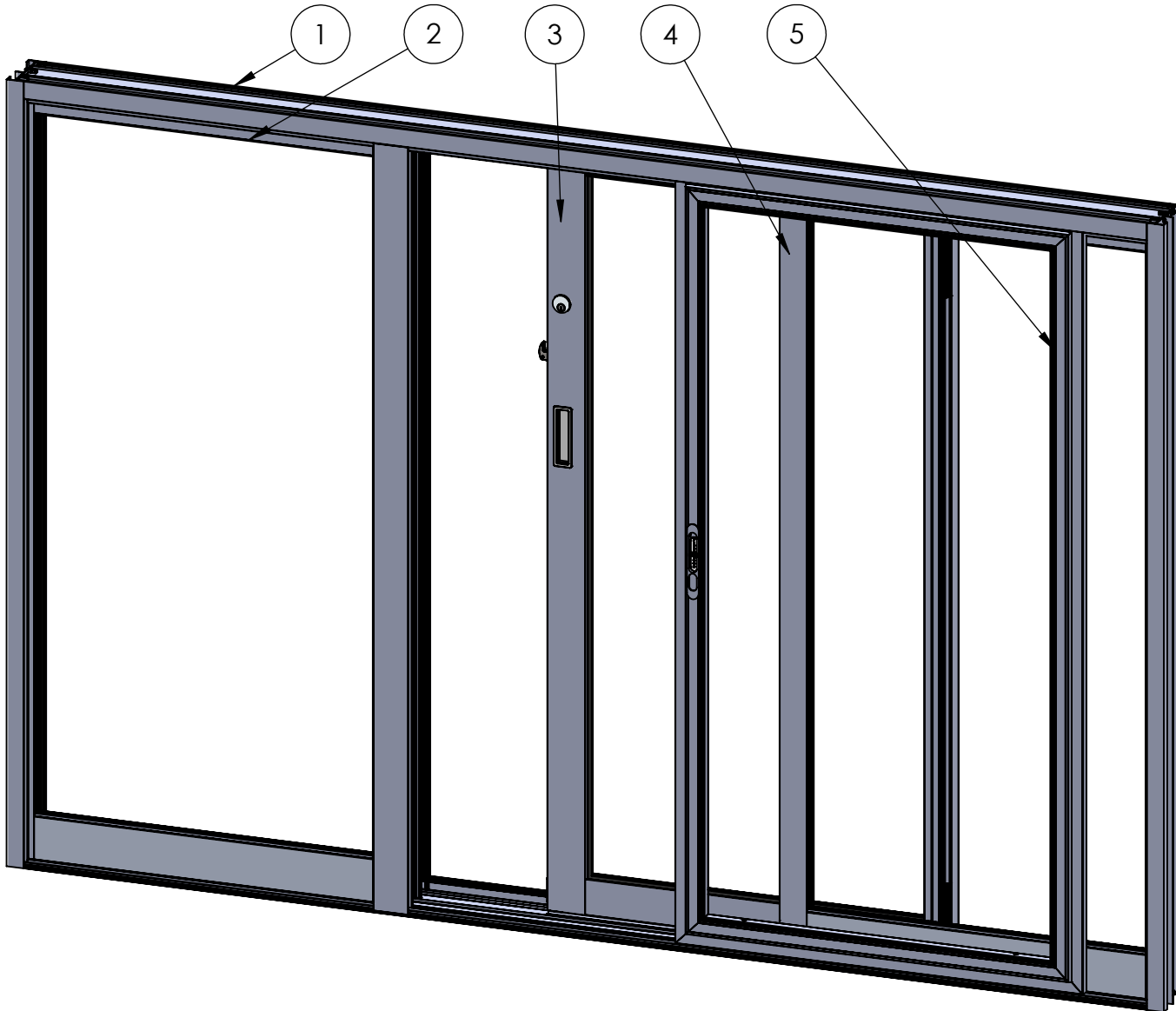


TABLE OF CONTENTS

ITEM NO.	DESCRIPTION	QTY.	PAGE #
1	Frame Assembly	1	2-3
2	O Panel Fixed Assembly	1	4
3	X Panel Assembly	1	5-6
4	O Panel Assembly	1	7
5	Screen Assembly	1	8

Description
 Table of Contents

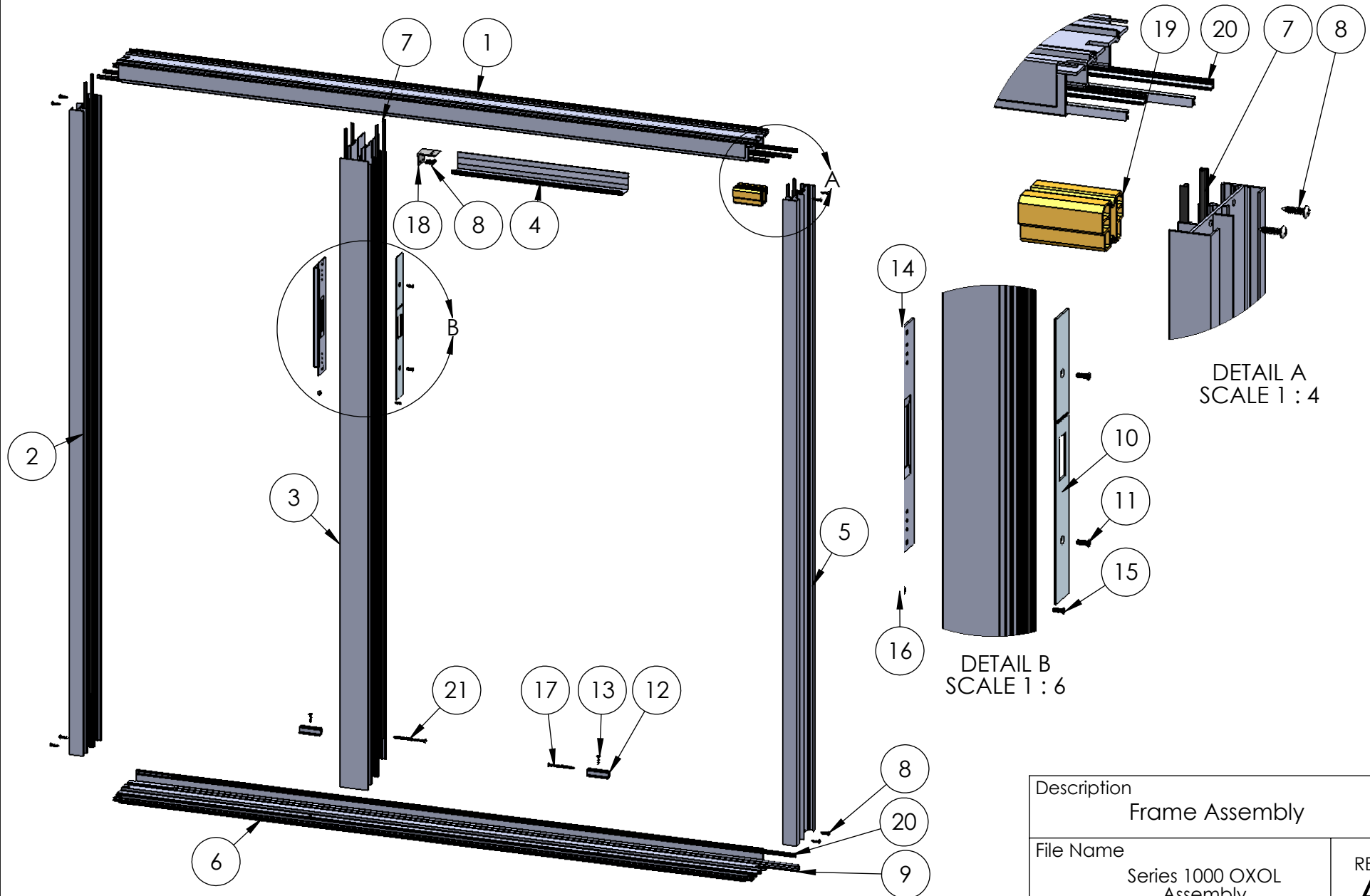
File Name
 Series 1000 OXOL
 Assembly

REV
A

Released 11/12/2018

SHEET 1 OF 8

ASSEMBLY / PARTS LIST (B.O.M.)



PROPRIETARY AND CONFIDENTIAL
 THE INFORMATION CONTAINED IN THIS DRAWING IS THE SOLE PROPERTY OF FLEETWOOD WINDOWS & DOORS.
 ANY REPRODUCTION IN PART OR AS A WHOLE WITHOUT THE WRITTEN PERMISSION OF FLEETWOOD WINDOWS & DOORS IS PROHIBITED.

Description		Frame Assembly
File Name	Series 1000 OXOL Assembly	REV A
Released	11/12/2018	SHEET 2 OF 8

ASSEMBLY / PARTS LIST (B.O.M.)

EXTRUSIONS

ITEM NO.	PART NUMBER	DESCRIPTION	QTY.
1	3017, 3095NON	Block Head, Nail Fin Head	1
2	3001	Block Lock Jamb, Nail Fin Jamb	1
3	3052	False Jamb	1
4	3011	Head Closer	1
5	3001, 3012	Block Lock Jamb, Nail Fin Jamb	1
6	1074	Sill	1

HARDWARE

ITEM NO.	PART NUMBER	DESCRIPTION	QTY.
7	19120	Q-Lon (U5212)	8
8	20347	#10 PHP Screw, 3/4" Length	10
9	23006	Stainless steel Track - 9/16"	1
10	24067	Strike Plate	1
11	20278	#10-32 FHP-B-UC, 9/16", SS clear	2
12	20502	Sill Block (M607, 20483)	2
13	20312	#8 PHP-TEK Screw, .75 in.	2
14	24068	Backup Plate (With Dust Cover)	1
15	25497	#8-32 FHP,UC, 1/2",SS	1
16	25498	#8-32 Locknut with Nylon-Insert	1

HARDWARE

ITEM NO.	PART NUMBER	DESCRIPTION	QTY.
17	20404	#10 OH - A, 2.5, Zinc, Gold	1
18	23007	L Clips w/4-hole, 1.350", Clear	1
19	24101, 25350	Bumper, Sliding Door Head Installation (2.625", 4.625")	1
20	19118	Small Fin Seal Mohair	7
21	25725	#10 PHP-A Screw, 3 in, Clear	1

Description

Frame B.O.M.

File Name

Series 1000 OXOL
Assembly

REV
A

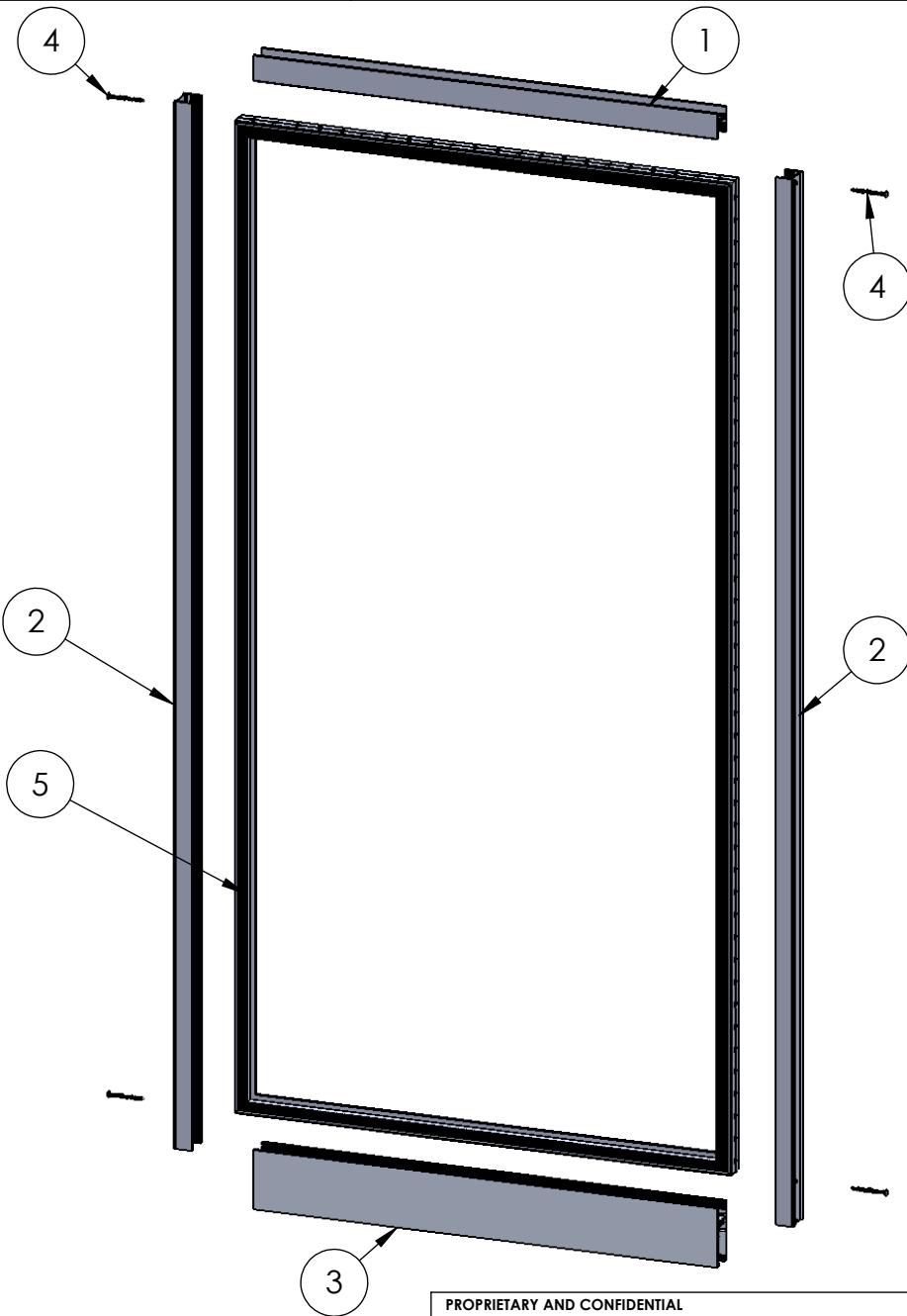
PROPRIETARY AND CONFIDENTIAL

THE INFORMATION CONTAINED IN THIS DRAWING IS THE SOLE PROPERTY OF FLEETWOOD WINDOWS & DOORS.
ANY REPRODUCTION IN PART OR AS A WHOLE WITHOUT THE WRITTEN PERMISSION OF FLEETWOOD WINDOWS & DOORS IS PROHIBITED.

Released 11/12/2018

SHEET 3 OF 8

ASSEMBLY / PARTS LIST (B.O.M.)



EXTRUSIONS

ITEM NO.	PART NUMBER	DESCRIPTION	QTY.
1	3004	Top Rail DG	1
2	3008, 3005	Narrow Fixed Stile, Archetype Narrow Fixed Stile	2
3	3009	Bottom Rail	1

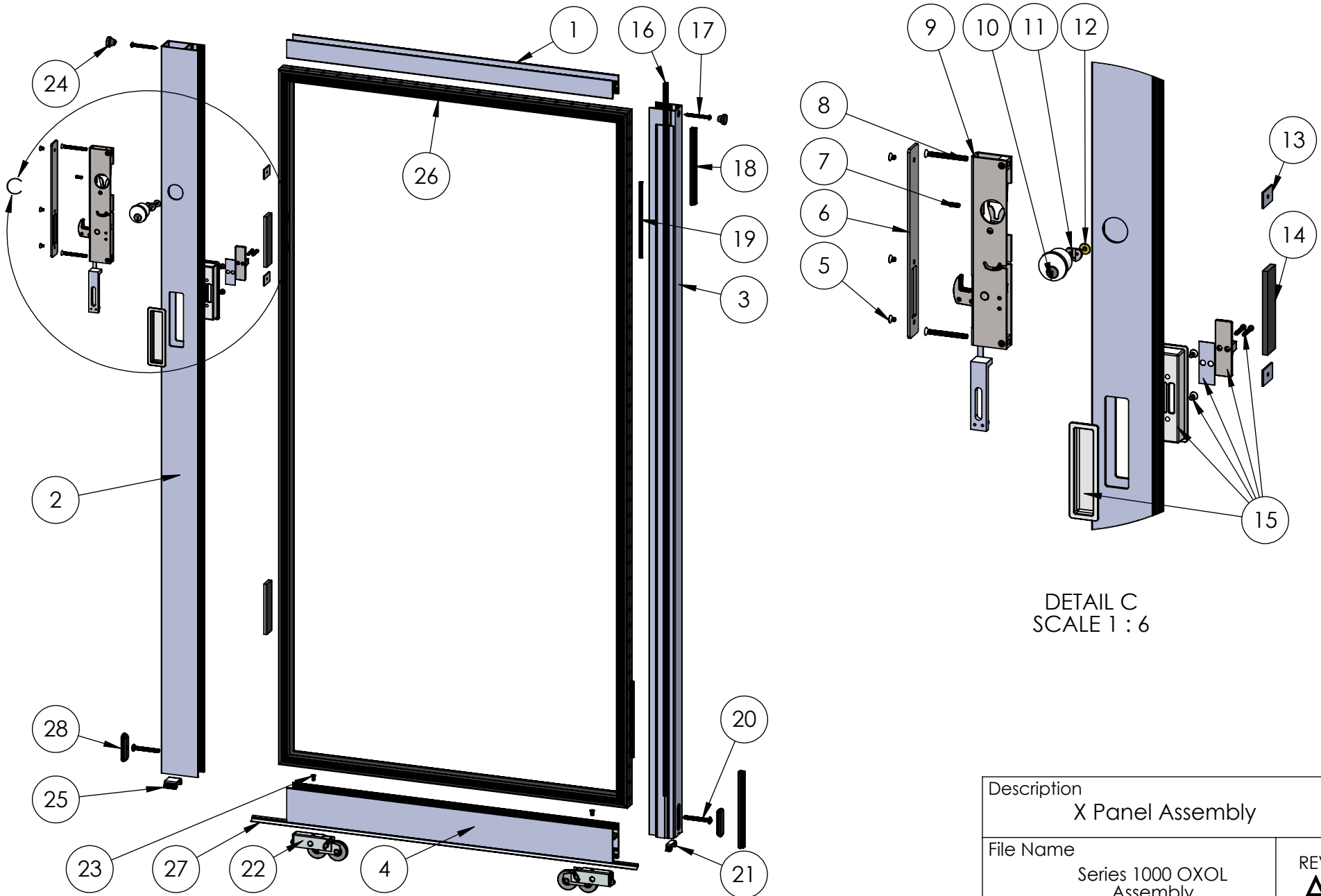
HARDWARE

ITEM NO.	PART NUMBER	DESCRIPTION	QTY.
4	20355	#10 PHP Screw , 2 in	4
5	22909	1 Inch Vinyl	1

Description Fixed O Panel	
File Name Series 1000 OXOL Assembly	REV A
Released 11/12/2018	SHEET 4 OF 8

PROPRIETARY AND CONFIDENTIAL
 THE INFORMATION CONTAINED IN THIS DRAWING IS THE SOLE PROPERTY OF FLEETWOOD WINDOWS & DOORS.
 ANY REPRODUCTION IN PART OR AS A WHOLE WITHOUT THE WRITTEN PERMISSION OF FLEETWOOD WINDOWS & DOORS IS PROHIBITED.

ASSEMBLY / PARTS LIST (B.O.M.)



DETAIL C
SCALE 1 : 6

PROPRIETARY AND CONFIDENTIAL
THE INFORMATION CONTAINED IN THIS DRAWING IS THE SOLE PROPERTY OF FLEETWOOD WINDOWS & DOORS.
ANY REPRODUCTION IN PART OR AS A WHOLE WITHOUT THE WRITTEN PERMISSION OF FLEETWOOD WINDOWS & DOORS IS PROHIBITED.

Description X Panel Assembly	
File Name Series 1000 OXOL Assembly	REV A
Released 11/12/2018	SHEET 5 OF 8

ASSEMBLY / PARTS LIST (B.O.M.)

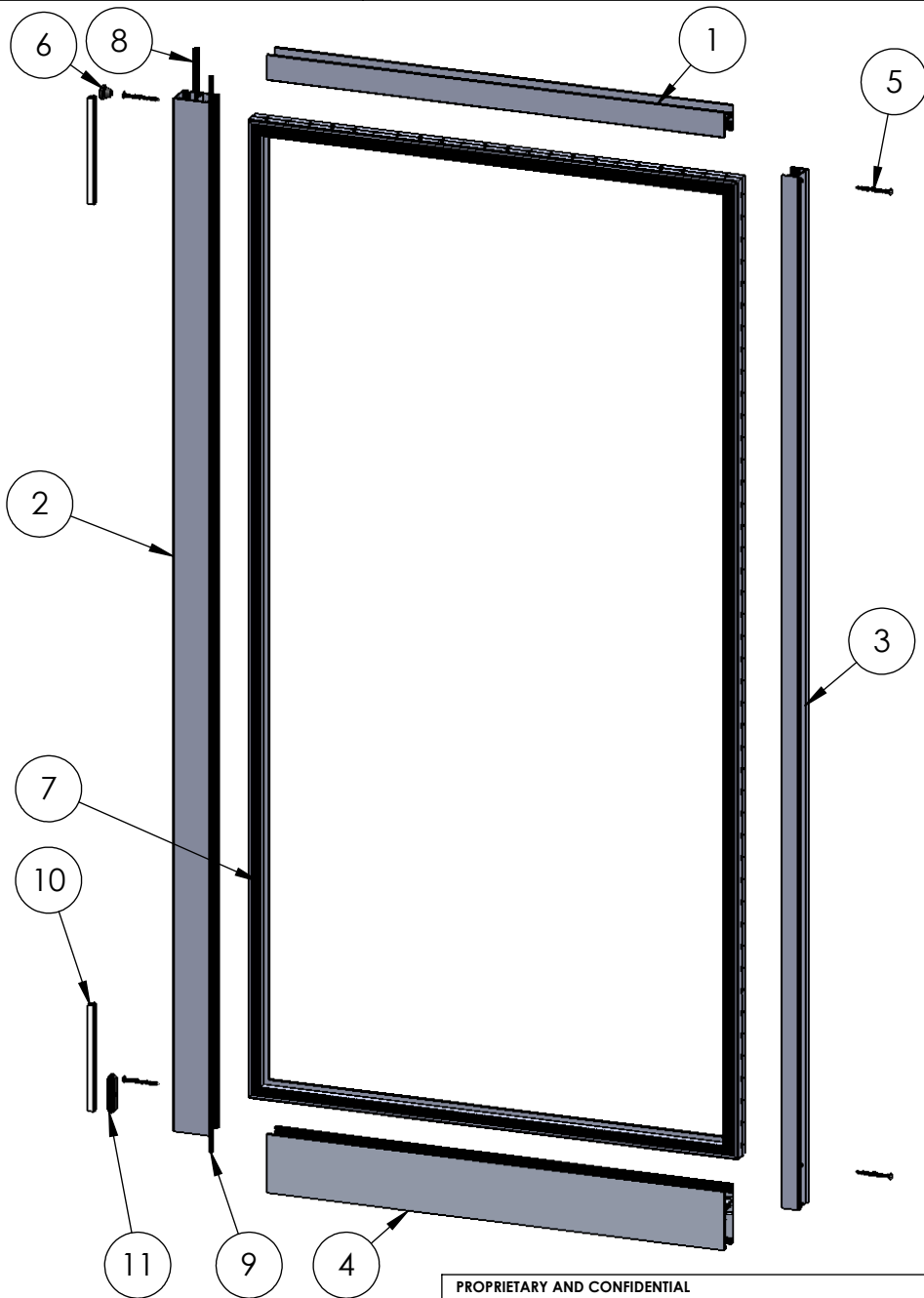
EXTRUSIONS			
ITEM NO.	PART NUMBER	DESCRIPTION	QTY.
1	3004	Top Rail DG	1
2	3005	Lock Stile	1
3	3006	Interlocker	1
4	1077	Sliding Bottom Rail	1

HARDWARE			
ITEM NO.	PART NUMBER	DESCRIPTION	QTY.
5	24076	#8-32 FH Socket Cap Screw, 3/8",SS	3
6	25309	Archetype Narrow Latch Face Plate	1
7	25330	#8-32 x 1/2" Set Screw narrow arch. Cyl,	1
8	-	#10-32 FHP Screw, 1.125"	2
9	25319	Archetype Narrow Flush Latch (XO)	1
10	Key Cylinder		1
11	24780	Cam - (for the Archetype Key Cylinder)	1
12	25681	Bushing-Key Cyl. - Narrow Arch.	1
13	18671	Back Up Plate # 10-32 x 0.075 Thk.	2
14	18620	Setting Block 4" x 1/4"x1"	2
15	25415	Archetype Narrow Active Handle Set (Silver)	1
16	19117	Large Fin Seal (29027045bkqb)(7578)	1
17	20355	#10 PHP Screw , 2 in	2

HARDWARE			
ITEM NO.	PART NUMBER	DESCRIPTION	QTY.
18	24653	Air Barrier Standard Interlock	2
19	22927	Screen Spline .250 6"	2
20	20361	1/4-20 PHP-B, 2", Clear, SS	2
21	19142	3/8" Bottom Vent Clip 3015 Weather Strip Insert (3779)	1
22	23095	A1 Roller	2
23	20266	#10-32 FHP-B-UC Screw, .375 in	2
24	20635	Small Round Door Bumper	2
25	19141	15/16" Bottom Vent Clip 3015 Weather Strip Insert (3779)	1
26	22909	1 Inch Vinyl	1
27	19064	Sill, Wipe, Bottom Vinyl, BL-122	1
28	18630	Oval Plug - Short	2

Description X Panel B.O.M.	
File Name Series 1000 OXOL Assembly	REV A
Released 11/12/2018	SHEET 6 OF 8

ASSEMBLY / PARTS LIST (B.O.M.)



EXTRUSIONS

ITEM NO.	PART NUMBER	DESCRIPTION	Default/QTY.
1	3004	Top Rail DG	1
2	3006	Interlocker	1
3	3008	Narrow Fixed Stile	1
4	3009	Sliding Bottom Rail	1

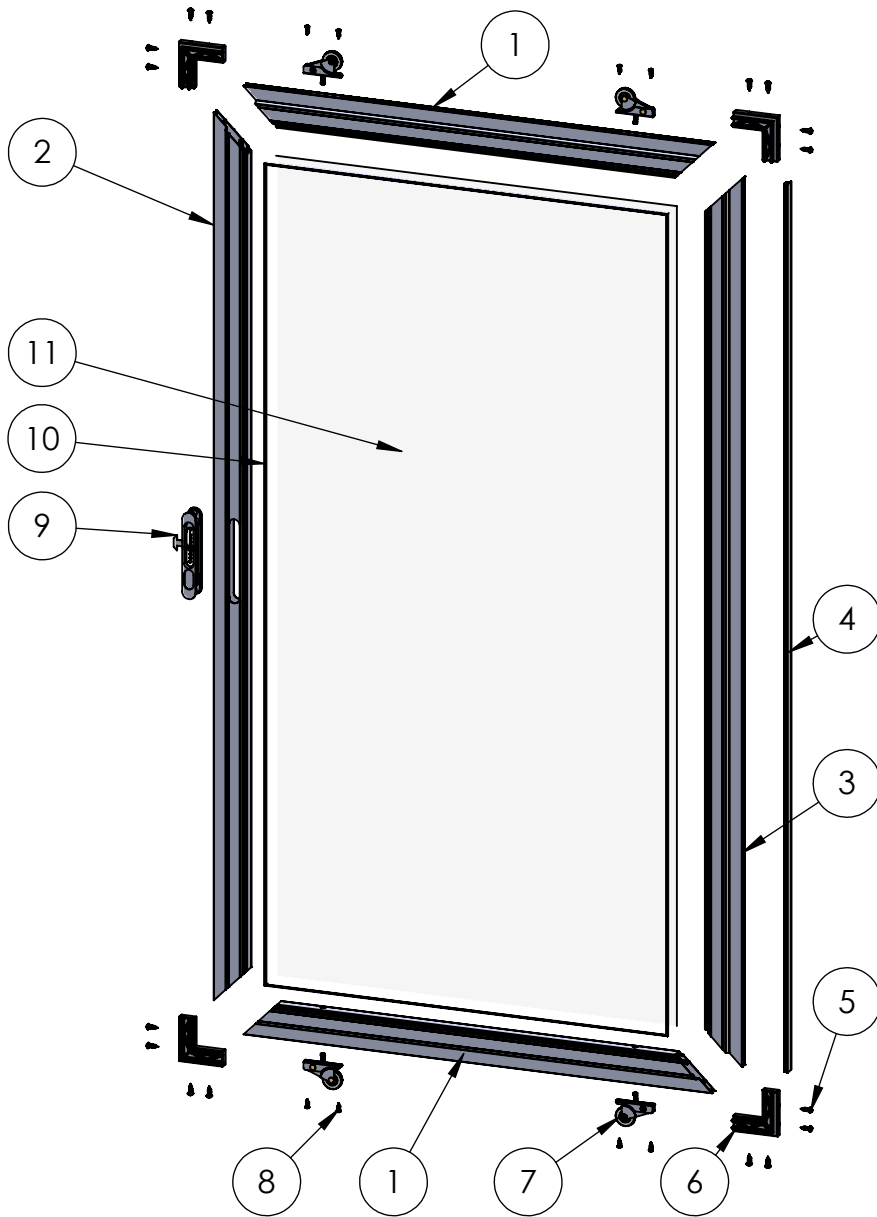
HARDWARE

ITEM NO.	PART NUMBER	DESCRIPTION	QTY.
5	20355	#10 PHP Screw , 2 in	4
6	20635	Small Round Door Bumper	1
7	22909	1 Inch Vinyl	1
8	19117	Large Fin Seal (29027045bkqb)	1
9	22927	Screen Spline .250 6"	2
10	24653	Air Barrier Standard Interlock	2
11	18630	Oval Plug - Short	1

Description		O Panel
File Name	Series 1000 OXOL Assembly	REV A
Released	11/12/2018	SHEET 7 OF 8

PROPRIETARY AND CONFIDENTIAL
 THE INFORMATION CONTAINED IN THIS DRAWING IS THE SOLE PROPERTY OF FLEETWOOD WINDOWS & DOORS.
 ANY REPRODUCTION IN PART OR AS A WHOLE WITHOUT THE WRITTEN PERMISSION OF FLEETWOOD WINDOWS & DOORS IS PROHIBITED.

ASSEMBLY / PARTS LIST (B.O.M.)



EXTRUSIONS

ITEM NO.	PART NUMBER	DESCRIPTION	Default/QTY.
1	145	Top / Bottom Rail	2
2	145	Lock Stile	1
3	145	Stile	1

HARDWARE

ITEM NO.	PART NUMBER	DESCRIPTION	QTY.
4	20531	Bug Wipe Screen	1
5	-	#10 PHP Screw, .625 in	16
6	20489	Screen Corner Door B1240	4
7	22905	Screen Roller, 1.25" dia., Stainless Steel	4
8	Included 22905	#6-20 PHP Screw, .5 in	8
9	20474	Screen Handle	1
10	19130	Screen Rubber Spline .160	1
11	-	Screen Mesh	1

Description
Screen Assembly

File Name
Series 1000 OXOL
Assembly

REV
A

Released 11/12/2018

SHEET 8 OF 8

PROPRIETARY AND CONFIDENTIAL

THE INFORMATION CONTAINED IN THIS DRAWING IS THE SOLE PROPERTY OF FLEETWOOD WINDOWS & DOORS. ANY REPRODUCTION IN PART OR AS A WHOLE WITHOUT THE WRITTEN PERMISSION OF FLEETWOOD WINDOWS & DOORS IS PROHIBITED.