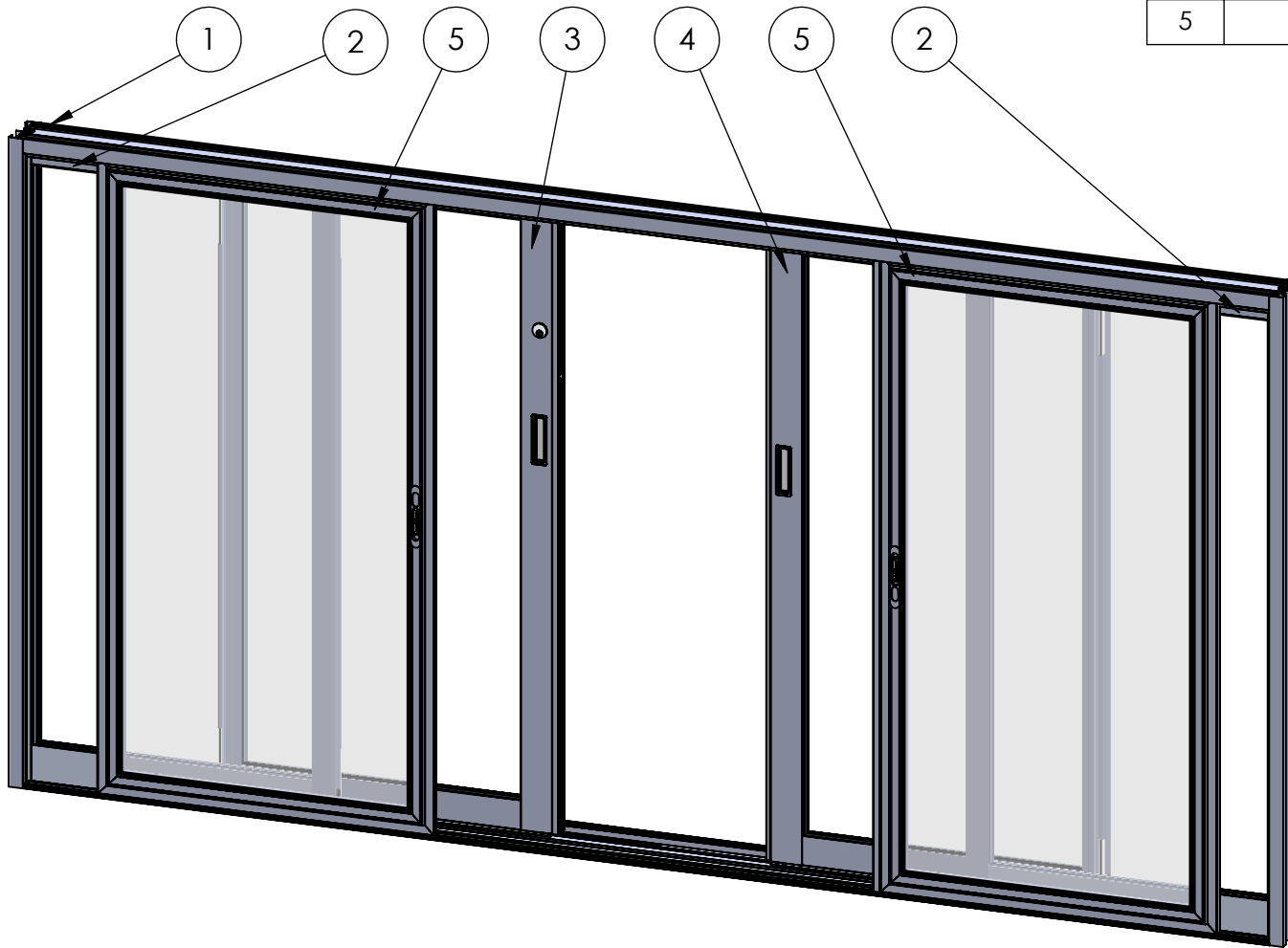


ASSEMBLY / PARTS LIST (B.O.M.)

Series: 1000
Type: OXIXO Configuration

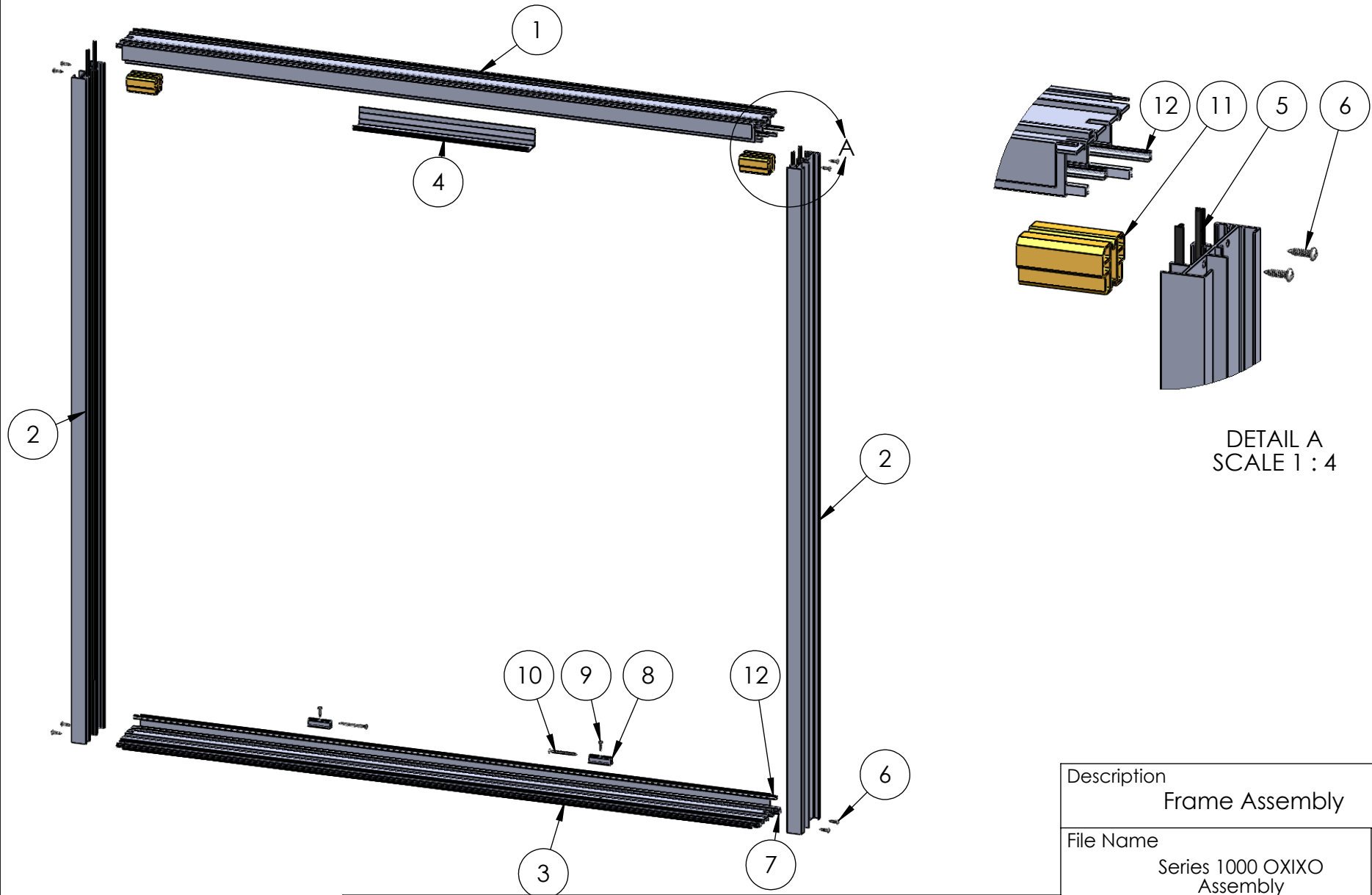
TABLE OF CONTENTS			
ITEM NO.	DESCRIPTION	QTY.	PAGE #
1	Frame	1	2-3
2	Panel 1 & Panel 4	1	4
3	Panel 2	1	5-6
4	Panel 3	1	7-8
5	Screen Assembly	1	9



PROPRIETARY AND CONFIDENTIAL
 THE INFORMATION CONTAINED IN THIS DRAWING IS THE SOLE PROPERTY OF FLEETWOOD WINDOWS & DOORS.
 ANY REPRODUCTION IN PART OR AS A WHOLE WITHOUT THE WRITTEN PERMISSION OF FLEETWOOD WINDOWS & DOORS IS PROHIBITED.

Description Table of Contents	
File Name Series 1000 OXIXO Assembly	REV A
Released 11/12/2018	SHEET 1 OF 9

ASSEMBLY / PARTS LIST (B.O.M.)



DETAIL A
 SCALE 1 : 4

PROPRIETARY AND CONFIDENTIAL
 THE INFORMATION CONTAINED IN THIS DRAWING IS THE SOLE PROPERTY OF FLEETWOOD WINDOWS & DOORS.
 ANY REPRODUCTION IN PART OR AS A WHOLE WITHOUT THE WRITTEN PERMISSION OF FLEETWOOD WINDOWS & DOORS IS PROHIBITED.

Description	
Frame Assembly	
File Name	REV
Series 1000 OXIXO Assembly	A
Released	SHEET 2 OF 9
11/12/2018	

ASSEMBLY / PARTS LIST (B.O.M.)

EXTRUSIONS

ITEM NO.	PART NUMBER	DESCRIPTION	QTY.
1	3017, 3095	Block Head, Nail Fin Head	1
2	3001,3012	BlockJamb, Nail Fin Jamb	1
3	1074	Sill (STD)	1
4	3011	Head Closer	1

HARDWARE

ITEM NO.	PART NUMBER	DESCRIPTION	QTY.
5	19120	Q-Lon (U5212)	4
6	20347	#10 PHP Screw, 3/4" Length	8
7	23006	Stainless steel Track	1
8	20502	Sill Block	2
9	20312	#8 PHP-TEK Screw, .75 in.	2
10	20404	#10 OH - A, 2.5, Zinc, Gold	2
11	24101	Bumper, Sliding Door Head Installation (2.625")	2
12	19118	Weather Strip 23027045BKQB	3

Description

Frame B.O.M.

File Name

Series 1000 OXIXO
Assembly

REV
A

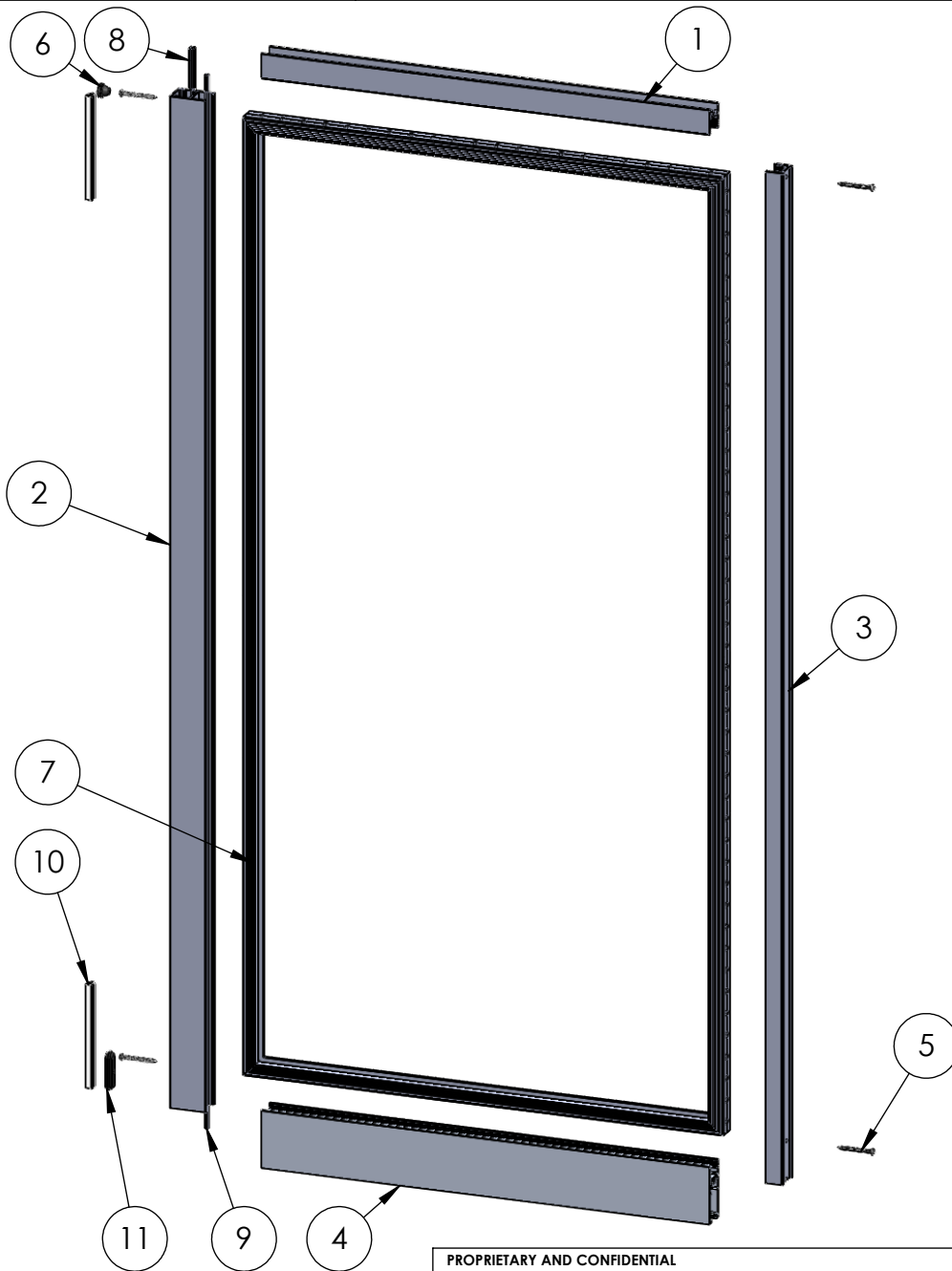
PROPRIETARY AND CONFIDENTIAL

THE INFORMATION CONTAINED IN THIS DRAWING IS THE SOLE PROPERTY OF FLEETWOOD WINDOWS & DOORS.
ANY REPRODUCTION IN PART OR AS A WHOLE WITHOUT THE WRITTEN PERMISSION OF FLEETWOOD WINDOWS & DOORS IS PROHIBITED.

Released 11/12/2018

SHEET 3 OF 9

ASSEMBLY / PARTS LIST (B.O.M.)



EXTRUSIONS

ITEM NO.	PART NUMBER	DESCRIPTION	QTY.
1	3004	Top Rail DG	1
2	3006	Interlocker	1
3	3008	Narrow Fixed Stile	1
4	3009	Sliding Bottom Rail	1

HARDWARE

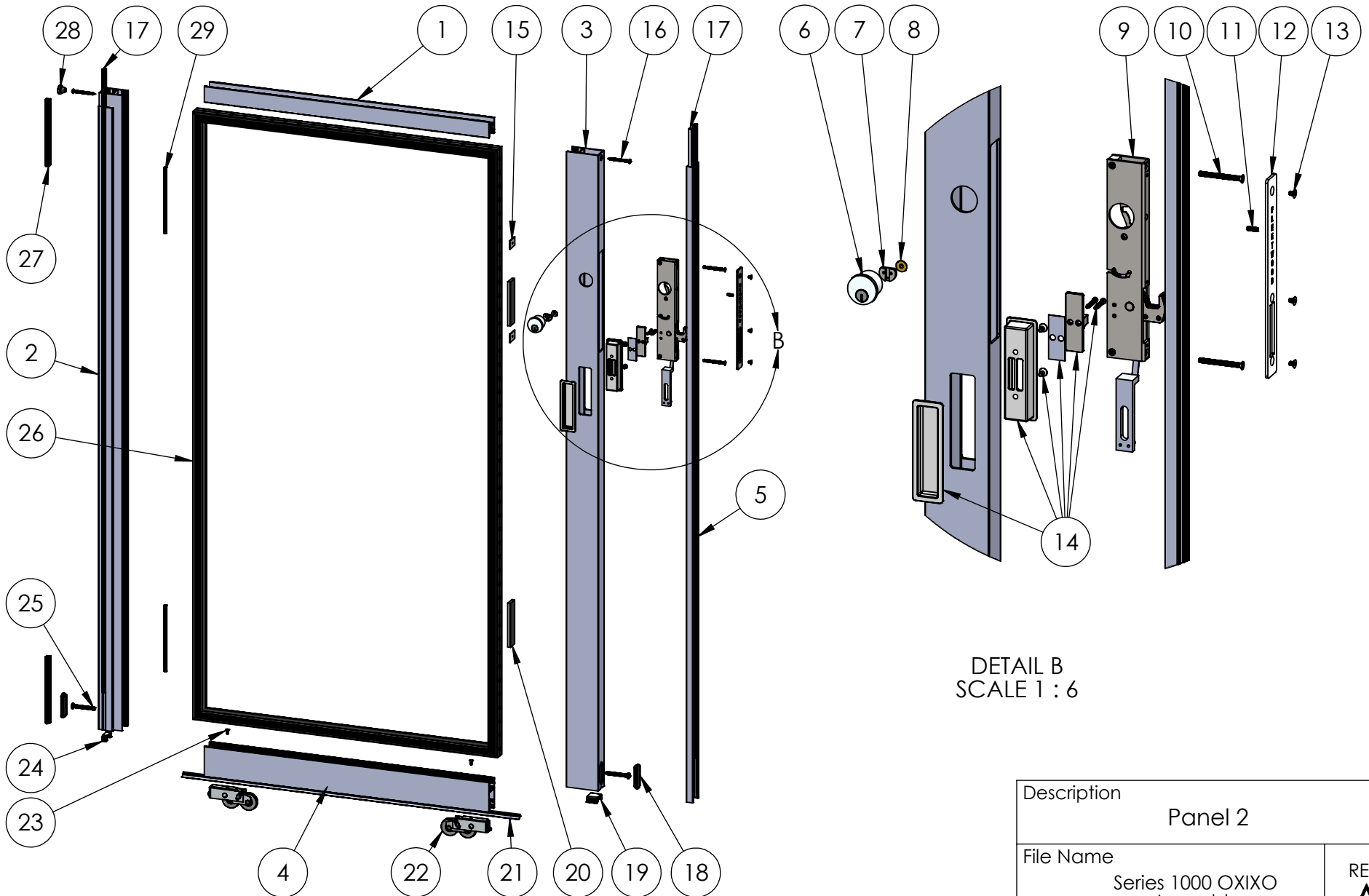
ITEM NO.	PART NUMBER	DESCRIPTION	QTY.
5	20355	#10 PHP Screw , 2 in	4
6	20635	Small Round Door Bumper	1
7	22909	1 Inch Vinyl	1
8	19117	Large Fin Seal (29027045bkqb)	1
9	22927	Screen Spline .250 6"	2
10	24653	Air Barrier Standard Interlock	2
11	18630	Oval Plug - Short	1

NOTES:

1. Panel 4 shown.
2. Panel 1 is mirror of panel 4.

Description Panel 1 and Panel 4	
File Name Series 1000 OXIXO Assembly	REV A
Released 11/12/2018	SHEET 4 OF 9

ASSEMBLY / PARTS LIST (B.O.M.)



DETAIL B
SCALE 1 : 6

Description		Panel 2
File Name	Series 1000 OXIXO Assembly	REV A
Released	11/12/2018	SHEET 5 OF 9

PROPRIETARY AND CONFIDENTIAL
THE INFORMATION CONTAINED IN THIS DRAWING IS THE SOLE PROPERTY OF FLEETWOOD WINDOWS & DOORS.
ANY REPRODUCTION IN PART OR AS A WHOLE WITHOUT THE WRITTEN PERMISSION OF FLEETWOOD WINDOWS & DOORS IS PROHIBITED.



ASSEMBLY / PARTS LIST (B.O.M.)

EXTRUSIONS			
ITEM NO.	PART NUMBER	DESCRIPTION	QTY.
1	3004	Top Rail DG	1
2	3006	Interlocker	1
3	3005	Lock Stile	1
4	1077	Sliding Bottom Rail	1
5	3040	Female Yoke	1

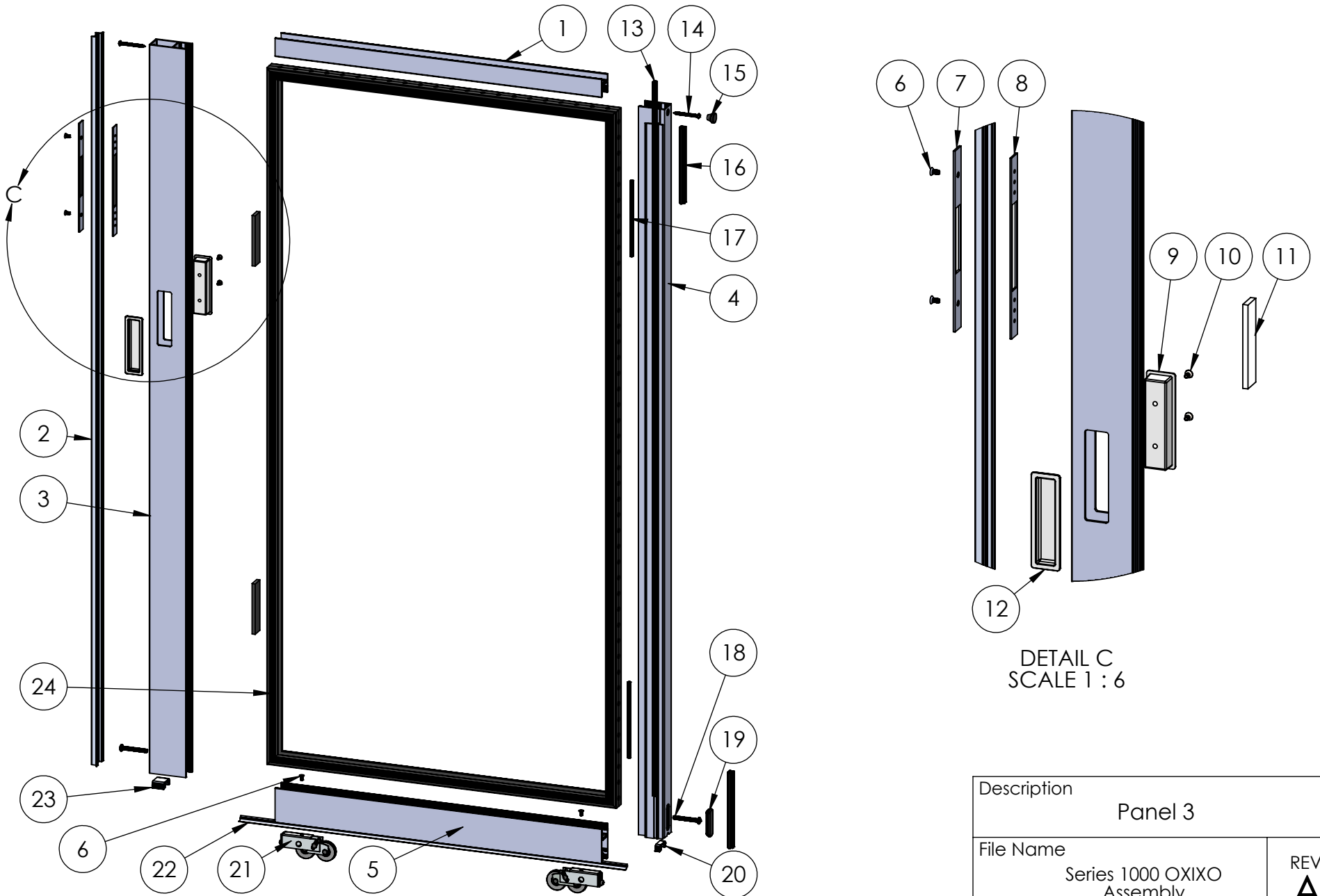
HARDWARE			
ITEM NO.	PART NUMBER	DESCRIPTION	QTY.
6	-	Key Cylinder	1
7	24780	Cam	1
8	25681	Bushing-Key Cyl. - Narrow Arch.	1
9	25914	Archetype Narrow Latch OX with Exposed Fasteners	1
10	-	#10-32 FHP Screw, 1.125"	2
11	25330	#8-32 x 1/2" Set Screw	1
12	25309	Archetype Narrow Face Plate	1
13	24076	#8-32 FH Socket Cap Screw, 3/8",SS	3
14	25415	Archetype Narrow Active Handle Set (Silver)	1
15	18671	Back Up Plate	2
16	20355	#10 PHP Screw , 2 in	2
17	19117	Large Fin Seal (29027045bkqb)	2
18	18630	Oval Plug - Short	2
19	19141	15/16" Bottom Vent Clip	1
20	18620	Setting Block 4" x 1/4"x1"	2
21	19064	Sill Wipe Bottom Vinyl	1

HARDWARE			
ITEM NO.	PART NUMBER	DESCRIPTION	QTY.
22	23095	A1 Roller	2
23	20266	#10-32 FHP-B-UC Screw, .375 in	2
24	19142	3/8" Bottom Vent Clip	1
25	20361	1/4-20 PHP-B, 2", Clear, SS	2
26	22909	1 Inch Vinyl	1
27	24653	Air Barrier Standard Interlock	2
28	20635	Small Round Door Bumper	1
29	22927	Screen Spline .250 6"	2

Description Panel 2 B.O.M.	
File Name Series 1000 OXIXO Assembly	REV A
Released 11/12/2018	SHEET 6 OF 9

PROPRIETARY AND CONFIDENTIAL
 THE INFORMATION CONTAINED IN THIS DRAWING IS THE SOLE PROPERTY OF FLEETWOOD WINDOWS & DOORS.
 ANY REPRODUCTION IN PART OR AS A WHOLE WITHOUT THE WRITTEN PERMISSION OF FLEETWOOD WINDOWS & DOORS IS PROHIBITED.

ASSEMBLY / PARTS LIST (B.O.M.)



PROPRIETARY AND CONFIDENTIAL
THE INFORMATION CONTAINED IN THIS DRAWING IS THE SOLE PROPERTY OF FLEETWOOD WINDOWS & DOORS.
ANY REPRODUCTION IN PART OR AS A WHOLE WITHOUT THE WRITTEN PERMISSION OF FLEETWOOD WINDOWS & DOORS IS PROHIBITED.

Description		Panel 3	
File Name		Series 1000 OXIXO Assembly	REV A
Released	11/12/2018	SHEET 7 OF 9	

ASSEMBLY / PARTS LIST (B.O.M.)

EXTRUSIONS

ITEM NO.	PART NUMBER	DESCRIPTION	QTY.
1	3004	Top Rail DG	1
2	3039	Male Yoke	1
3	3005	Lock Stile	1
4	3006	Interlocker	1
5	1077	Sliding Bottom Rail	1

HARDWARE

ITEM NO.	PART NUMBER	DESCRIPTION	QTY.
6	20266	#10-32 FHP-B-UC Screw, .375 in	4
7	24980	Strike Plate	1
8	24981	Strike Backup Plate	1
9	25364	Archetype Narrow Flush Dummy Int. Pocket (Silver)	1
10	25324	#8-32 FHP Screw, .375" (Silver)	2
11	18620	Setting Block	2
12	25310	Archetype Narrow Flush Ext. Pocket (Silver)	1
13	19117	Large Fin Seal	1
14	20355	#10 PHP Screw, 2 in	2
15	20635	Small Round Door Bumper	1
16	24653	Air Barrier Standard Interlock	2
17	22927	Screen Spline .250 6"	2
18	20361	1/4-20 PHP-B, 2", Clear, SS	2
19	18630	Oval Plug - Short	1

HARDWARE

ITEM NO.	PART NUMBER	DESCRIPTION	QTY.
20	19142	3/8" Bottom Vent Clip	1
21	23095	A1 Roller	2
22	19064	Sill, Wipe, Bottom Vinyl, BL-122	1
23	19141	15/16" Bottom Vent Clip	1
24	22909	1 Inch Vinyl	1

Description

Panel 3 B.O.M.

File Name

Series 1000 OXIXO
Assembly

REV
A

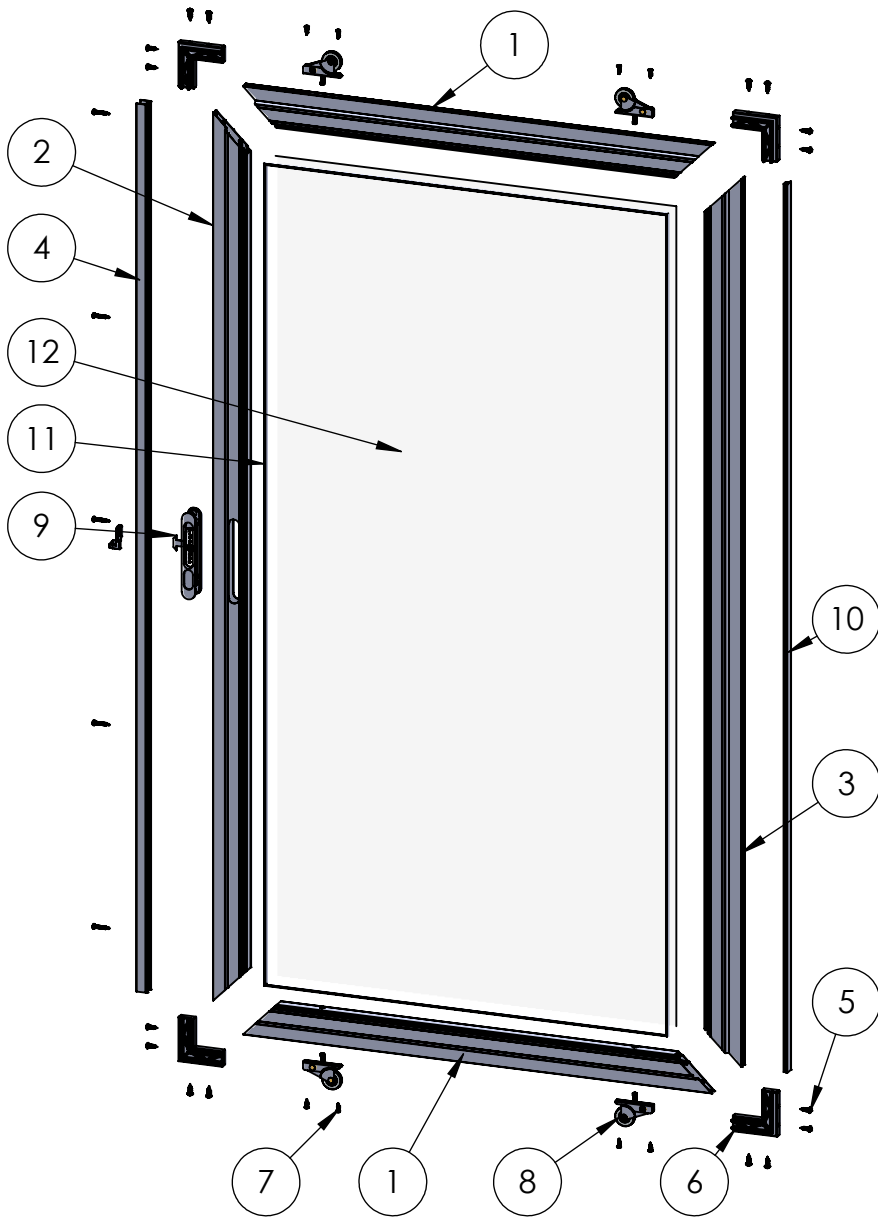
Released 11/12/2018

SHEET 8 OF 9

PROPRIETARY AND CONFIDENTIAL

THE INFORMATION CONTAINED IN THIS DRAWING IS THE SOLE PROPERTY OF FLEETWOOD WINDOWS & DOORS.
ANY REPRODUCTION IN PART OR AS A WHOLE WITHOUT THE WRITTEN PERMISSION OF FLEETWOOD WINDOWS & DOORS IS PROHIBITED.

ASSEMBLY / PARTS LIST (B.O.M.)



EXTRUSIONS

ITEM NO.	PART NUMBER	DESCRIPTION	QTY.
1	145	Screen Extrusion	2
2	145	Screen Extrusion	1
3	145	Screen Extrusion	1
4	1065	Screen Astragal (one screen only)	1

HARDWARE

ITEM NO.	PART NUMBER	DESCRIPTION	QTY.
5	-	# 10 PHP Screw, 5/8"	16
6	20489	Screen Corner Door B1240	4
7	Included 22905	#6-20 PHP Screw, 1/2"	8
8	22905	Screen Roller, 1.25" dia., Stainless Steel	4
9	20474	Screen Handle	1
10	20531	bug wipe screen	1
11	19130	Screen Rubber Spline .160	1
12	-	Screen Mesh	1
13	20320	#8 PHP, TEK, 1 in, SS, Clear	5
14	18915	Screen Latch Kit	1

Description
Screen Assembly

File Name
Series 1000 OXIXO
Assembly

REV
A

Released 11/12/2018

SHEET 9 OF 9

PROPRIETARY AND CONFIDENTIAL

THE INFORMATION CONTAINED IN THIS DRAWING IS THE SOLE PROPERTY OF FLEETWOOD WINDOWS & DOORS.
ANY REPRODUCTION IN PART OR AS A WHOLE WITHOUT THE WRITTEN PERMISSION OF FLEETWOOD WINDOWS & DOORS IS PROHIBITED.