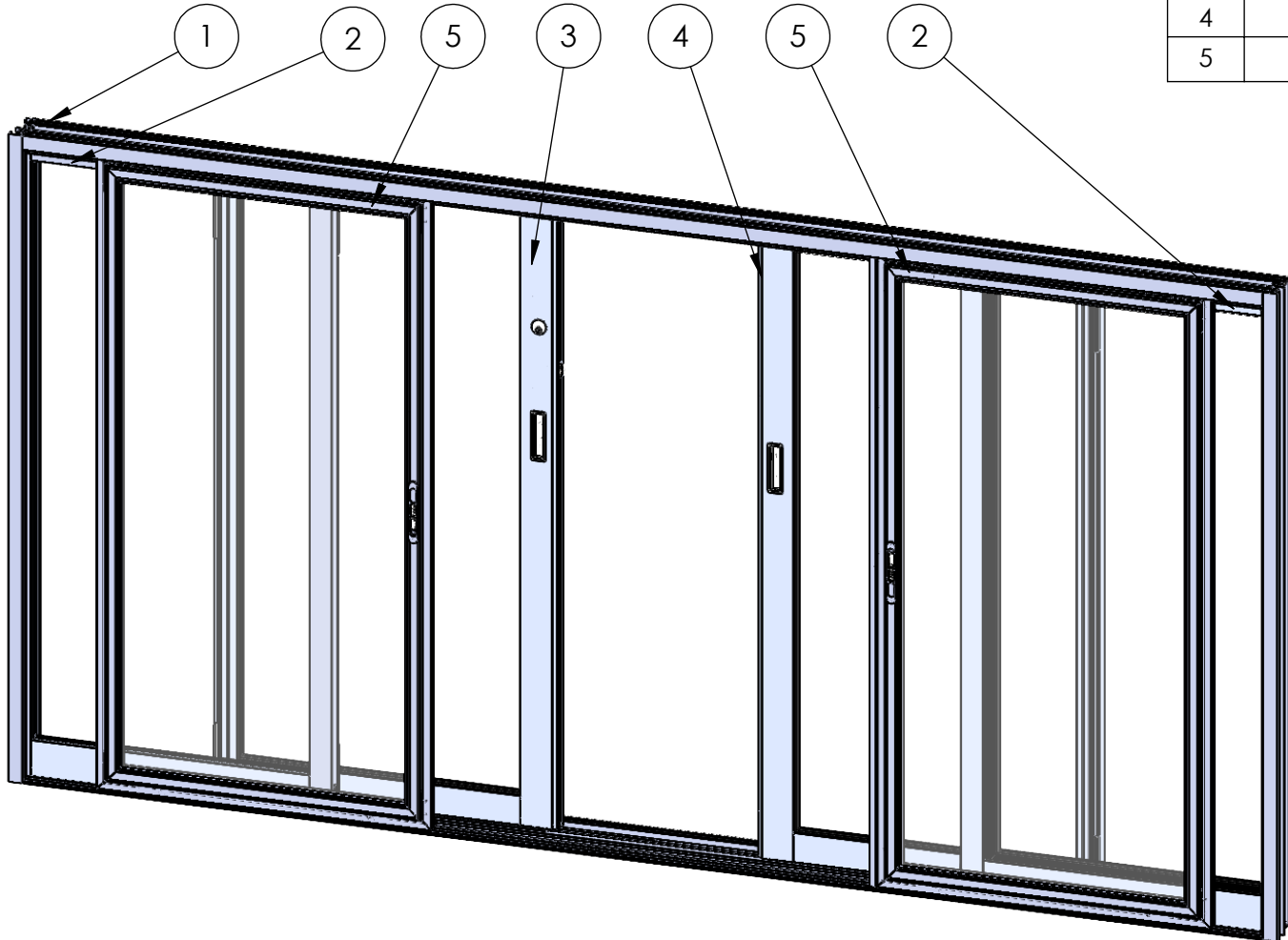


ASSEMBLY / PARTS LIST (B.O.M.)

Series: 1000
Type: OXIXO Configuration

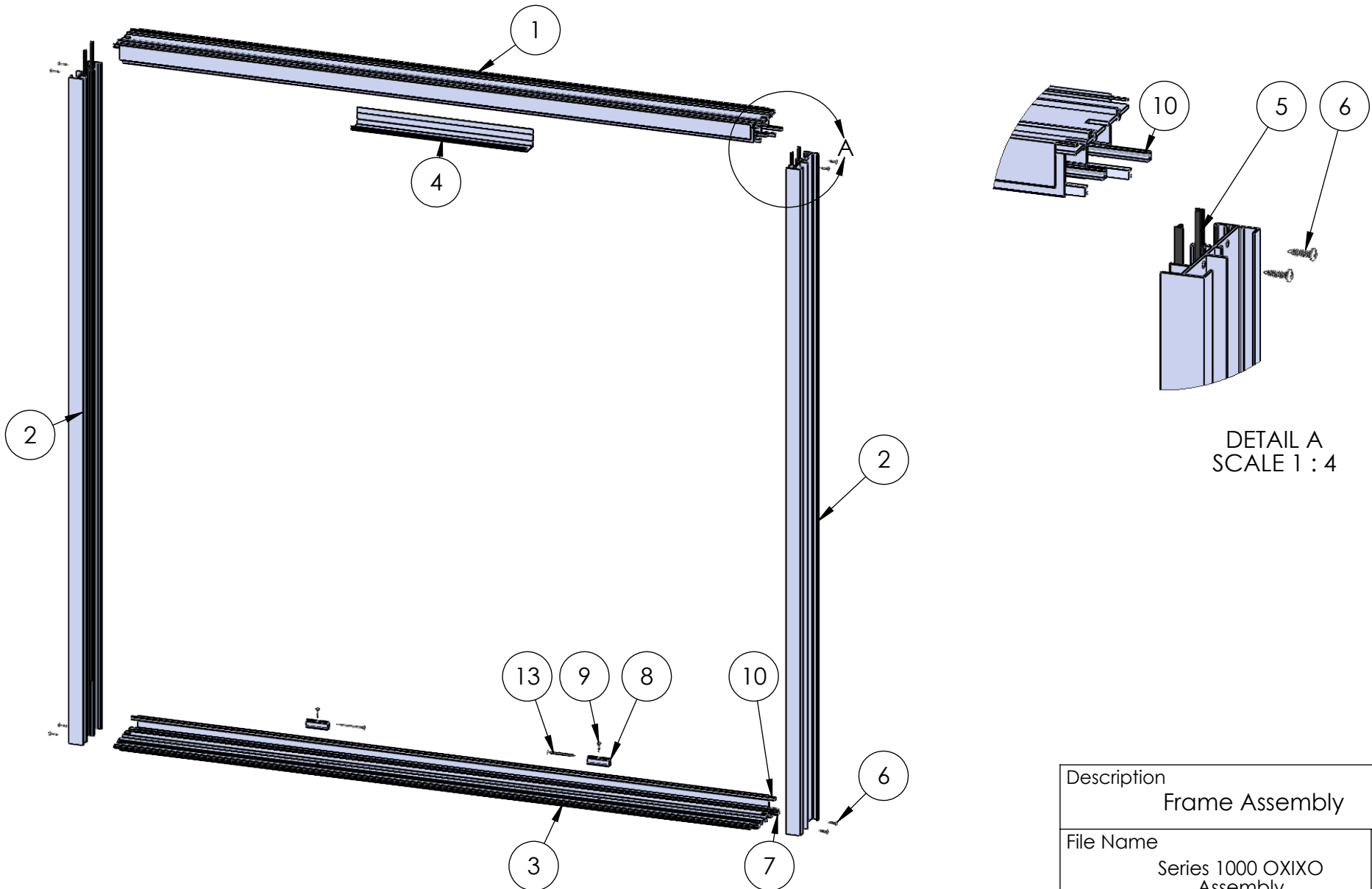
TABLE OF CONTENTS			
ITEM NO.	DESCRIPTION	QTY.	PAGE #
1	Frame	1	2-3
2	Panel 1 & Panel 4	1	4
3	Panel 2	1	5-6
4	Panel 3	1	7-8
5	Screen Assembly	1	9



PROPRIETARY AND CONFIDENTIAL
 THE INFORMATION CONTAINED IN THIS DRAWING IS THE SOLE PROPERTY OF FLEETWOOD WINDOWS & DOORS.
 ANY REPRODUCTION IN PART OR AS A WHOLE WITHOUT THE WRITTEN PERMISSION OF FLEETWOOD WINDOWS & DOORS IS PROHIBITED.

Description Table of Contents	
File Name Series 1000 OXIXO Assembly	REV B
Released 10/29/2020	SHEET 1 OF 9

ASSEMBLY / PARTS LIST (B.O.M.)



DETAIL A
 SCALE 1 : 4

PROPRIETARY AND CONFIDENTIAL
 THE INFORMATION CONTAINED IN THIS DRAWING IS THE SOLE PROPERTY OF FLEETWOOD WINDOWS & DOORS.
 ANY REPRODUCTION IN PART OR AS A WHOLE WITHOUT THE WRITTEN PERMISSION OF FLEETWOOD WINDOWS & DOORS IS PROHIBITED.

Description Frame Assembly	
File Name Series 1000 OXIXO Assembly	REV B
Released 10/29/2020	SHEET 2 OF 9

ASSEMBLY / PARTS LIST (B.O.M.)

EXTRUSIONS

ITEM NO.	PART NUMBER	DESCRIPTION	QTY.
1	3017, 3095	Block Head, Nail Fin Head	1
2	3001,3012	BlockJamb, Nail Fin Jamb	1
3	1074	Sill (STD)	1
4	3011	Head Closer	1

HARDWARE

ITEM NO.	PART NUMBER	DESCRIPTION	QTY.
5	19120	Q-Lon (U5212)	4
6	20347	#10 PHP Screw, 3/4" Length	8
7	23006	Stainless steel Track	1
8	20502	Sill Block	2
9	20312	#8 PHP-TEK Screw, .75 in.	2
10	19118	Weather Strip 23027045BKQB	3
13	20404	#10 OH - A, 2.5, Zinc,Gold	2

Description

Frame B.O.M.

File Name

Series 1000 OXIXO
Assembly

REV
B

PROPRIETARY AND CONFIDENTIAL

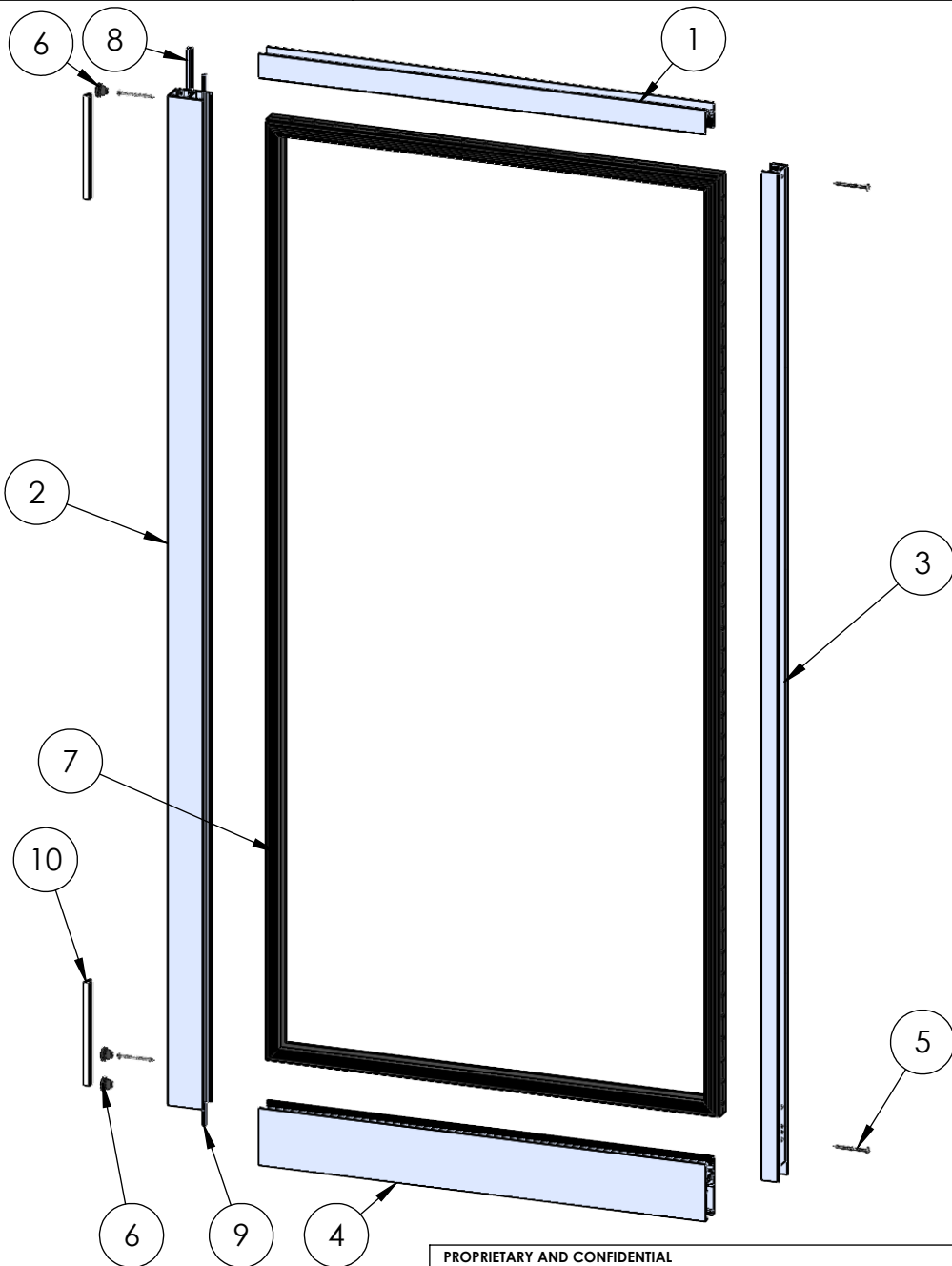
THE INFORMATION CONTAINED IN THIS DRAWING IS THE SOLE PROPERTY OF FLEETWOOD WINDOWS & DOORS.
ANY REPRODUCTION IN PART OR AS A WHOLE WITHOUT THE WRITTEN PERMISSION OF FLEETWOOD WINDOWS & DOORS IS PROHIBITED.

Released

10/29/2020

SHEET 3 OF 9

ASSEMBLY / PARTS LIST (B.O.M.)



EXTRUSIONS

ITEM NO.	PART NUMBER	DESCRIPTION	QTY.
1	3004	Top Rail DG	1
2	3006	Fixed Interlocker	1
3	3008	Narrow Fixed Stile	1
4	3009	Sliding Bottom Rail	1

HARDWARE

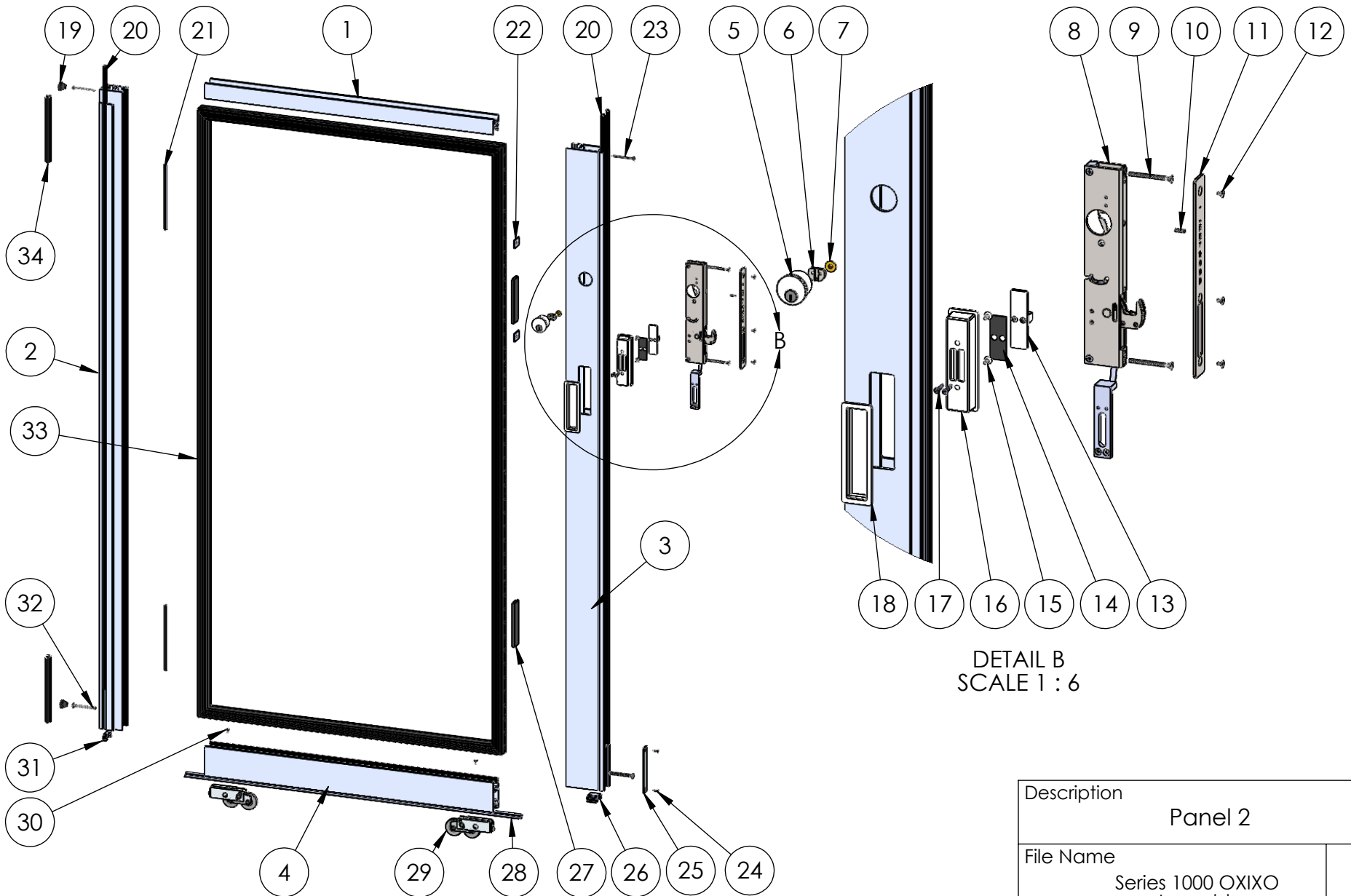
ITEM NO.	PART NUMBER	DESCRIPTION	QTY.
5	20355	#10 PHP Screw , 2 in	4
6	20635	Small Round Door Bumper	3
7	22909	1 Inch Vinyl	1
8	19117	Large Fin Seal (29027045bkqb)	1
9	22927	Screen Spline .250 6"	2
10	24653	Air Barrier Standard Interlock	2

NOTES:

1. Panel 4 shown.
2. Panel 1 is mirror of panel 4.

Description Panel 1 and Panel 4	
File Name Series 1000 OXIXO Assembly	REV B
Released 10/29/2020	SHEET 4 OF 9

ASSEMBLY / PARTS LIST (B.O.M.)



DETAIL B
SCALE 1 : 6

PROPRIETARY AND CONFIDENTIAL
THE INFORMATION CONTAINED IN THIS DRAWING IS THE SOLE PROPERTY OF FLEETWOOD WINDOWS & DOORS.
ANY REPRODUCTION IN PART OR AS A WHOLE WITHOUT THE WRITTEN PERMISSION OF FLEETWOOD WINDOWS & DOORS IS PROHIBITED.

Description		Panel 2	
File Name		Series 1000 OXIXO Assembly	REV B
Released	10/29/2020	SHEET 5 OF 9	



ASSEMBLY / PARTS LIST (B.O.M.)

EXTRUSIONS

ITEM NO.	PART NUMBER	DESCRIPTION	QTY.
1	3004	Top Rail	1
2	3006	Interlocker	1
3	3795	Narrow Female Lock Stile	1
4	1077	Bottom Rail	1

HARDWARE

ITEM NO.	PART NUMBER	DESCRIPTION	QTY.
5	18679, 18682, 18683, 18686	Key Cylinder [KA (Black, S.S.), KD (Black, S.S.)]	1
6	24780	Cam	1
7	25681	Bushing-Key Cyl. - Narrow Arch.	1
8	25230	Archetype Narrow Latch OX	1
9	-	#10-32 FHP Screw, 1.125"	2
10	25330	#8-32 x 1/2" Set Screw	1
11	25309	Archetype Narrow Face Plate	1
12	24076	#8-32 FH Socket Cap Screw, 3/8",SS	3
13	25317,25318	Archetype Narrow Flush Actuator (Black, Stainless Steel)	1
14	25326	Slider Friction Pad	1
15	24076	#8-32 FH Socket Cap Screw, 3/8",SS	2
16	25314, 25315	Flush Int. Pocket (Black, S.S.)	1
17	25755	#6-32 FHP Screw with Nylok, 3/4"	2
18	25311, 25312	Flush Ext. Pocket (Black, S.S.)	1
19	20635	Small Round Door Bumper	2
20	19117	Large Fin Seal (29027045bkqb)(7578)	1

HARDWARE

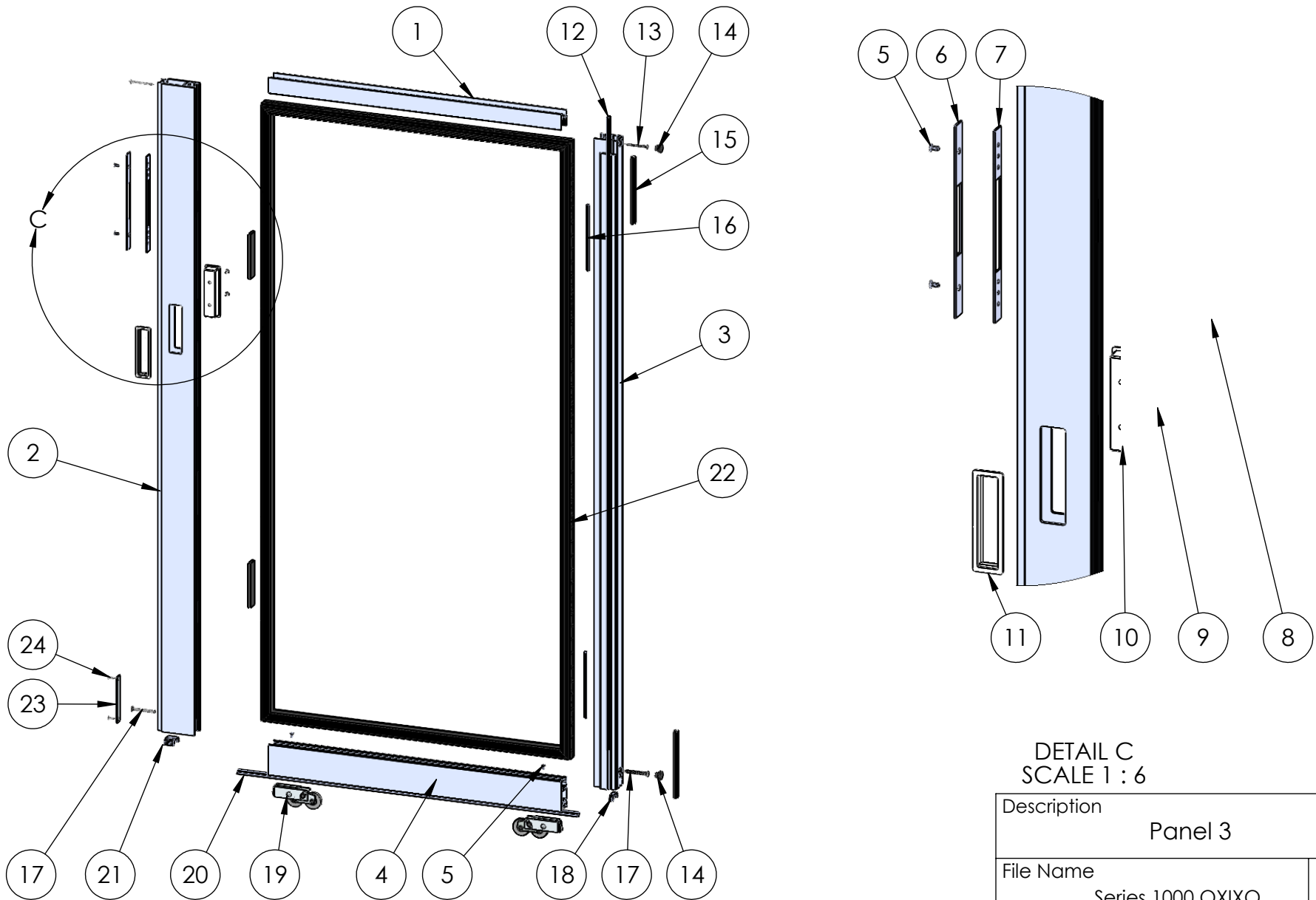
ITEM NO.	PART NUMBER	DESCRIPTION	QTY.
21	22927	Screen Spline .250 6"	2
22	18671	Back Up Plate	2
23	20355	#10 PHP Screw, 2 in	2
24	20240	#8 FHP-A-UC, 0.5 in.	2
25	25035	Meeting Stile Bumper Cover Plate	1
26	19141	15/16" Bottom Vent Clip	1
27	18620	Setting Block 4" x 1/4"x1"	2
28	19064	Sill Wipe Bottom Vinyl	1
29	23095	A1 Roller	2
30	20266	#10-32 FHP-B-UC Screw, .375 in	2
31	19142	3/8" Bottom Vent Clip	1
32	20361	1/4-20 PHP-B, 2", Clear, SS	2
33	22909	1 Inch Vinyl	1
34	24653	Air Barrier Standard Interlock	2

Description Panel 2 B.O.M.	
File Name Series 1000 OXIXO Assembly	REV B
Released 10/29/2020	SHEET 6 OF 9

PROPRIETARY AND CONFIDENTIAL

THE INFORMATION CONTAINED IN THIS DRAWING IS THE SOLE PROPERTY OF FLEETWOOD WINDOWS & DOORS. ANY REPRODUCTION IN PART OR AS A WHOLE WITHOUT THE WRITTEN PERMISSION OF FLEETWOOD WINDOWS & DOORS IS PROHIBITED.

ASSEMBLY / PARTS LIST (B.O.M.)



DETAIL C
 SCALE 1 : 6

Description		Panel 3
File Name	Series 1000 OXIXO Assembly	REV B
Released	10/29/2020	SHEET 7 OF 9

PROPRIETARY AND CONFIDENTIAL
 THE INFORMATION CONTAINED IN THIS DRAWING IS THE SOLE PROPERTY OF FLEETWOOD WINDOWS & DOORS.
 ANY REPRODUCTION IN PART OR AS A WHOLE WITHOUT THE WRITTEN PERMISSION OF FLEETWOOD WINDOWS & DOORS IS PROHIBITED.

ASSEMBLY / PARTS LIST (B.O.M.)

EXTRUSIONS			
ITEM NO.	PART NUMBER	DESCRIPTION	QTY.
1	3004	Top Rail	1
2	3794	Male Lock Stile	1
3	3006	Sliding Interlocker	1
4	1077	Bottom Rail	1

HARDWARE			
ITEM NO.	PART NUMBER	DESCRIPTION	QTY.
5	20266	#10-32 FHP-B-UC Screw, .375 in	4
6	24980	Strike Plate	1
7	24981	Strike Backup Plate	1
8	18620	Setting Block	2
9	24076	#8-32 FH Socket Cap Screw, 3/8",SS	2
10	25362, 25363	Dummy Int. Pocket (Black, S.S.)	1
11	25311, 25312	Flush Ext. Pocket (Black, S.S.)	1
12	19117	Large Fin Seal	1
13	20355	#10 PHP Screw , 2 in	2
14	20635	Small Round Door Bumper	2
15	24653	Air Barrier Standard Interlock	2
16	22927	Screen Spline .250 6"	2
17	20361	1/4-20 PHP-B, 2", Clear, SS	2
18	19142	3/8" Bottom Vent Clip	1
19	23095	A1 Roller	2

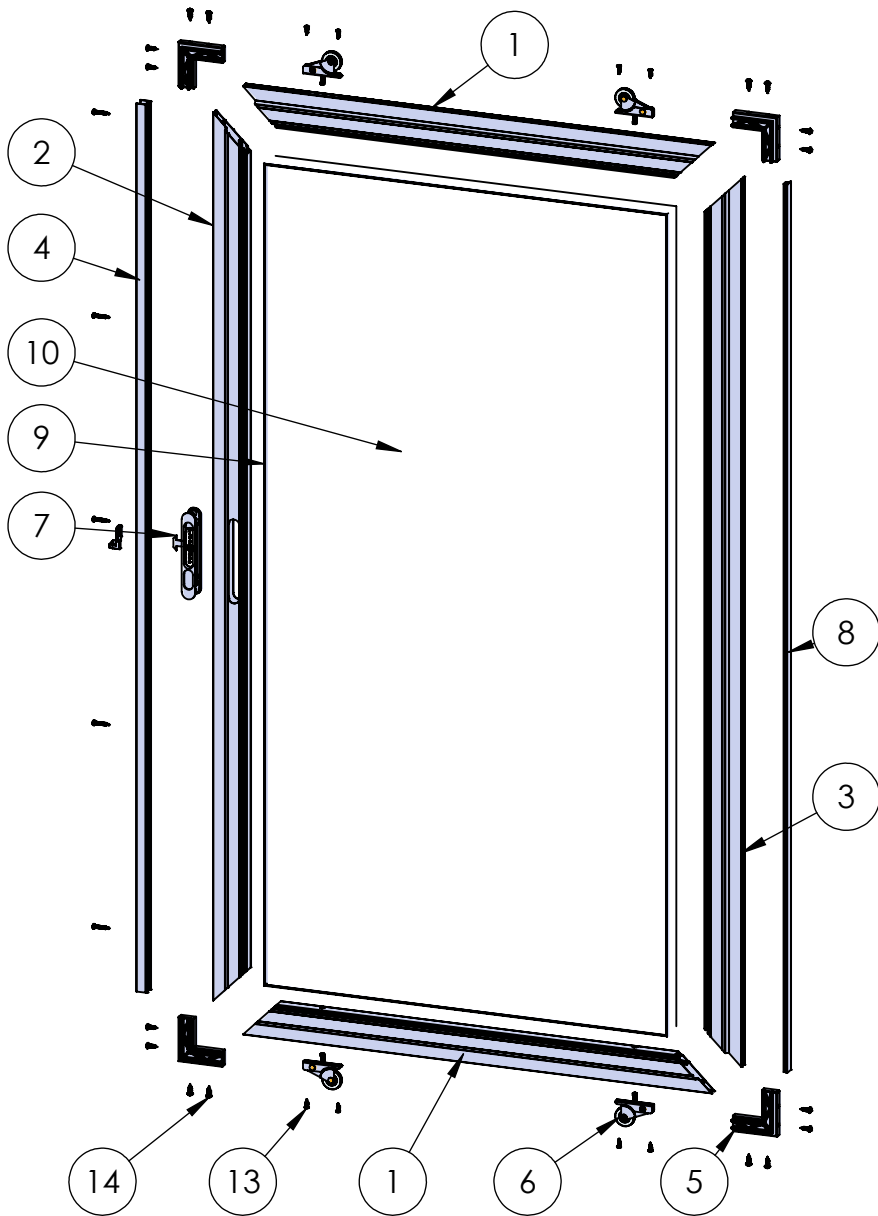
HARDWARE			
ITEM NO.	PART NUMBER	DESCRIPTION	QTY.
20	19064	Sill, Wipe, Bottom Vinyl, BL-122	1
21	19141	15/16" Bottom Vent Clip	1
22	22909	1 Inch Vinyl	1
23	25035	Meeting Stile Bumper Cover Plate	1
24	20240	#8 FHP-A-UC, 0.5 in.	2

Description Panel 3 B.O.M.	
File Name Series 1000 OXIXO Assembly	REV B
Released 10/29/2020	SHEET 8 OF 9

PROPRIETARY AND CONFIDENTIAL

THE INFORMATION CONTAINED IN THIS DRAWING IS THE SOLE PROPERTY OF FLEETWOOD WINDOWS & DOORS.
ANY REPRODUCTION IN PART OR AS A WHOLE WITHOUT THE WRITTEN PERMISSION OF FLEETWOOD WINDOWS & DOORS IS PROHIBITED.

ASSEMBLY / PARTS LIST (B.O.M.)



EXTRUSIONS			
ITEM NO.	PART NUMBER	DESCRIPTION	QTY.
1	145	Screen Extrusion	2
2	145	Screen Extrusion	1
3	145	Screen Extrusion	1
4	1065	Screen Astragal (one screen only)	1
HARDWARE			
ITEM NO.	PART NUMBER	DESCRIPTION	QTY.
5	20489	Screen Corner Door B1240	4
6	22905	Screen Roller, 1.25" dia., Stainless Steel	4
7	20474	Screen Handle	1
8	20531	bug wipe screen	1
9	19130	Screen Rubber Spline .160	1
10	-	Screen Mesh	1
11	20320	#8 PHP, TEK, 1 in, SS, Clear	5
12	18915	Screen Latch Kit	1
13	20228	#6 PHP-TEK Screw, 0.5 in.SLDPRT	8
14	-	# 10 Size, .625 Length, Pan Head Phillips Screw for Sheet Metal, Zinc-Plated Steel,	16

PROPRIETARY AND CONFIDENTIAL
THE INFORMATION CONTAINED IN THIS DRAWING IS THE SOLE PROPERTY OF FLEETWOOD WINDOWS & DOORS.
ANY REPRODUCTION IN PART OR AS A WHOLE WITHOUT THE WRITTEN PERMISSION OF FLEETWOOD WINDOWS & DOORS IS PROHIBITED.

Description Screen Assembly	
File Name Series 1000 OXIXO Assembly	REV B
Released 10/29/2020	SHEET 9 OF 9